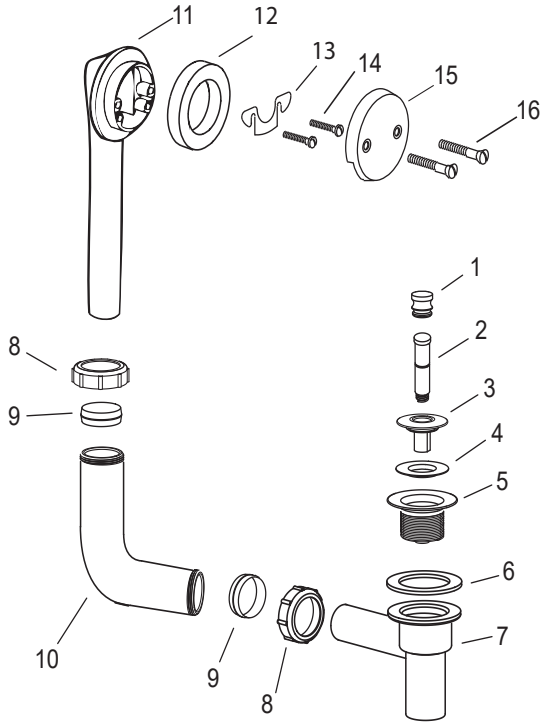


# 515 Direct Drain Series Parts List



Item	Part #	Description
1	01010CP	Knob, Brass
2	11584	Friction Ring (11504) and Post (11508)
3	01013CP	Stopper, Brass
4	11507	Seal, 1 1/16" dia.
5	01016CP	Strainer Body, Brass, 1.865" - 11.5 x 1.25"
6	10696	Drain Ell Washer, 1.5", gray
7	10081	Drain Tee for Direct Drain-Polypropylene
8	11581	Slip Joint Nut, White, 1.5"
9	11583	Slip Joint Polywasher, 1.5"
10	10080	Tee for Direct Drain-Polypropylene
11	10082	Overflow Ell for Direct Drain-Polypropylene
12	10675	Overflow Ell Washer, Foam
13	11530	Retainer Plate
14	11540	Retainer Plate Screws
15	01003CP	2-Hole Overflow Plate, Metal
16	01024CP	Screw, Overflow Plate, 2.25"

## OPTIONAL TUB CLOSURES FOR 515-SERIES BATH WASTES (PUSH PULL® ALSO SHOWN ABOVE)

**PUSH PULL®**  
Coarse Thread

- 01010CP  
01010\_\_\*
- 11584
- 01013CP  
01013\_\_\*
- 11507
- 01016CP  
01016\_\_\*

**LIFT & TURN**  
Coarse Thread

- 01010CP  
01010\_\_\*
- 11079
- 11088
- 11290CP  
01013\_\_\*
- 11507
- 11492CP  
01016\_\_\*

**PRESFLO®**  
Coarse Thread

- 11145CP  
11145\_\_\*
- 11132
- 11060CP  
11060\_\_\*
- 96039:  
Suction Cup  
for removing  
stopper

**FOOT ACTUATED**  
Coarse Thread

- 38412-CP  
38412-\_\_\*
- 11492-CP  
01016-\_\_\*

*\*If finish other than Chrome is desired, please use this part number and indicate desired finish.*