

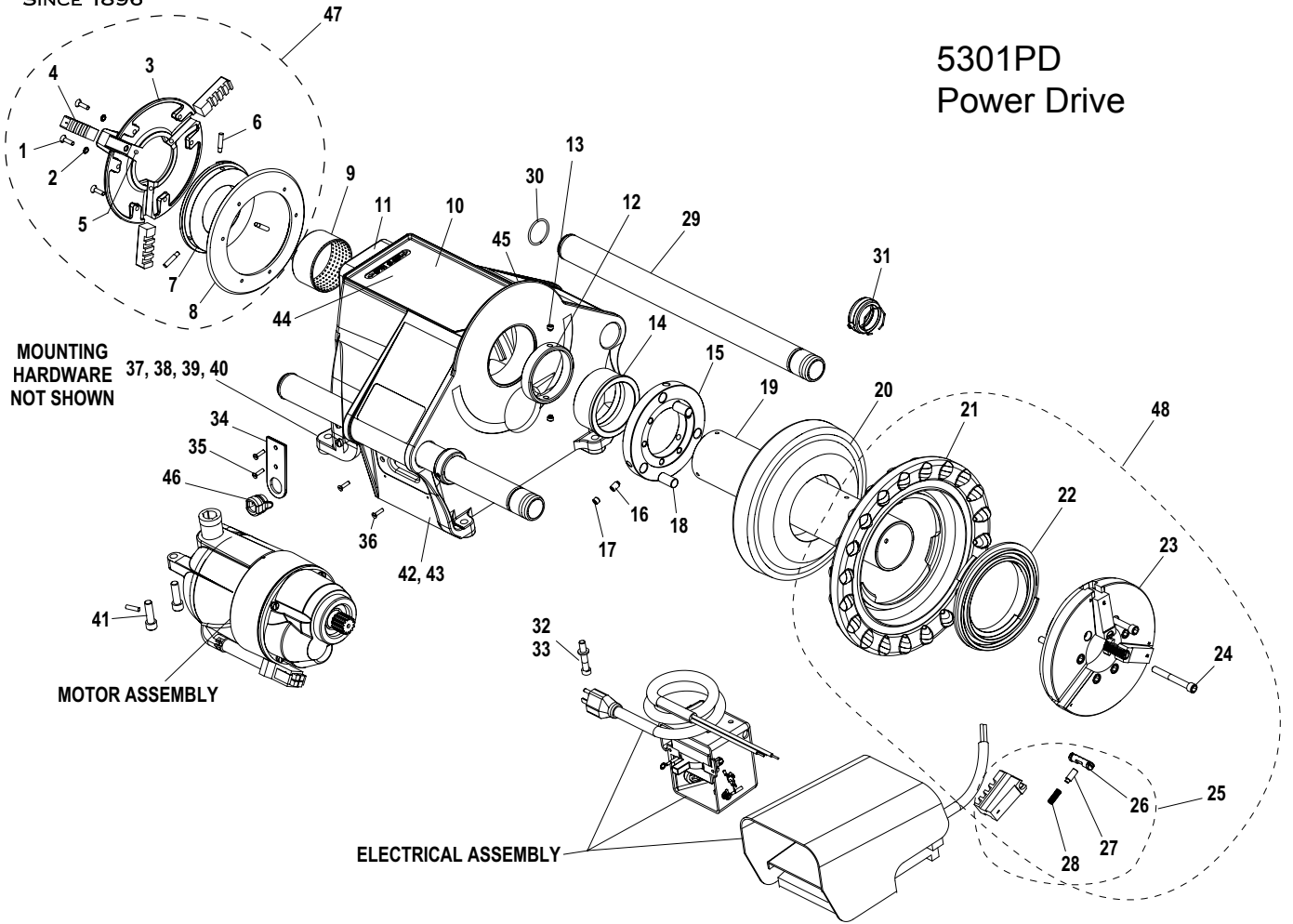


PIPE TOOLS & VISES
SINCE 1896

5301PD Power Drive

Replacement Parts

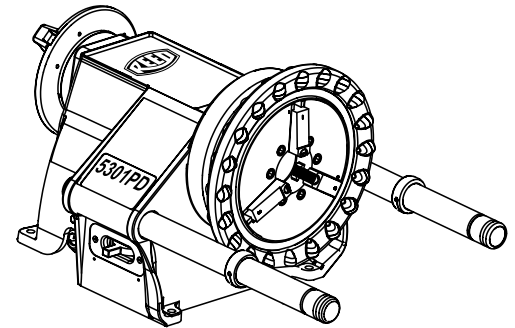
5301PD Power Drive



Parts List

Ref. No.	Description	Item Code	Qty.	Ridgid #
1	SCREW, SLOTTED	35400	6	46790 6/Pk
2	LOCK WASHER	35401	6	40270 6/Pk
3	CENTERING HEAD	95400	1	43735
4	REAR JAW SET	95882	1	46500
5	BALL BEARING	35406	3	—
6	STEP PIN	95411	3	45260 5/Pk
7	SCROLL, REAR	95412	1	44095
8	BACK PLATE	95401	1	43740
9	REAR BEARING	95414	1	—
10	BODY	95571	1	—
11	GREASE FITTING	40338	1	46860
12	THRUST RING	95419	1	45345
13	SET SCREW	35404	2	33785 5/Pk
14	FRONT BEARING	95415	1	—
15	DRIVE RING	95427	1	30027
16	SET SCREW	35412	3	45265 3/Pk
17	SET SCREW	35413	3	45300 5/Pk
18	DRIVE DOWEL PIN	35415	3	30022 3/Pk
19	DRIVE SHAFT	95413	1	44100
20	RING GEAR	95409	1	30017
21	HAND WHEEL	95403	1	89150

Ref. No.	Description	Item Code	Qty.	Ridgid #
22	SCROLL, FRONT	95404	1	43540
23	CAP	95405	1	43525
24	BOLT, SHCS	35405	6	45295 6/Pk
25	JAW SET, FRONT	95552	1	44090
26	JAW INSERT	95421	3	44715
27	PIN	95422	3	—
28	COMPRESSION SPRING	95451	3	—
29	SUPPORT BAR	95483	2	44425
30	SPRING RING	95424	2	44525
31	RETAINING RING ASSEMBLY	95880	2	44725
32	LOCK WASHER	35429	1	—
33	BOLT, SHCS	35403	1	—
34	STRAIN RELIEF PLATE	95423	1	45825
35	SCREW	35407	2	44735 5/Pk
36	SCREW	35408	2	45280
37	BOLT, HEX	35416	4	46670 5/Pk
38	FLAT WASHER	30011	4	44230 5/Pk
39	LOCK WASHER	30033	4	40930 5/Pk
40	WING NUT	23382	4	45385
41	BOLT, SHCS	35411	2	46745 5/Pk



Ref. No.	Description	Item Code	Qty.	Ridgid #
42	DRIVE SCREW	37710	4	—
43	NAME PLATE	95418	1	—
44	WARNING STICKER	95578	1	88690
45	GREASE FITTING	35450	1	—
46	CORD GROMMET	95429	1	46735
47	REAR JAW ASSEMBLY	95476	1	—
48	FRONT HANDWHEEL SCROLL / JAW ASSEM.	95484	1	—

BODY BEARINGS AND HARDWARE INCLUDES:
9, 10, 11, 14, 39, 40, 41, 45, 46, 95569 1

RIDGID® is a registered trademark of RIDGID, Inc. and is not associated with Reed Manufacturing Company

Reed Manufacturing Company
1425 West 8th Street
Erie, PA 16502 USA



Phone: 800-666-3691 or 814-452-3691
Fax: 800-456-1697 or 814-455-1697
www.reedmfgco.com

1 of 7 RP-0919-86

See Also: #55301 Operator's Manual