

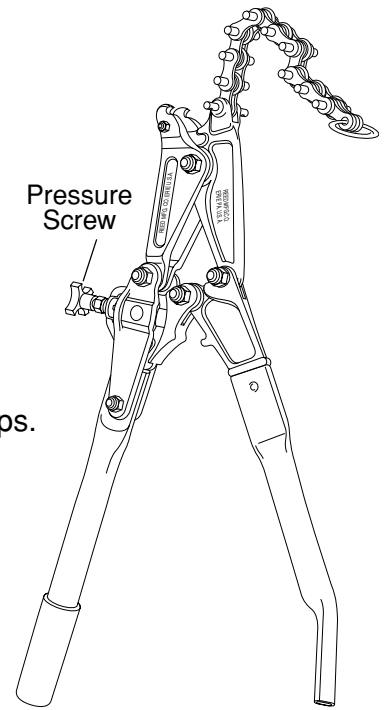


PIPE TOOLS & VISES
SINCE 1896

SC59 Soil Pipe Cutter Operating Instructions

Warning: The high pressure exerted by cutter can cause cut piece to fly with great force.

1. Place cutter on ground with pressure screw facing up and fully extend the chain underneath the pipe.
2. Fully open chain jaws by turning the pressure screw counter-clockwise until it stops.
3. Wrap chain around pipe and connect the closest link to the upper jaw. Check to ensure that the excess chain comes out the top of the hooks and into the clear.
4. Tighten pressure screw until handle ends are about 45° apart.
5. Apply enough pressure to handle to mark pipe. Rotate pipe slightly and mark again until you have a series of marks to form a line around the pipe. (If you are cutting pipe that is held solid, it will be easier to apply pressure and rotate the cutter back and forth to form a line.)
6. Stand on one handle and exert down pressure on the other to finish the cut.



REED MANUFACTURING COMPANY

1425 WEST 8TH ST. ERIE, PA 16512-1321 800-666-3691 OR 814-452-3691 www.reedmfgco.com

1209-50348

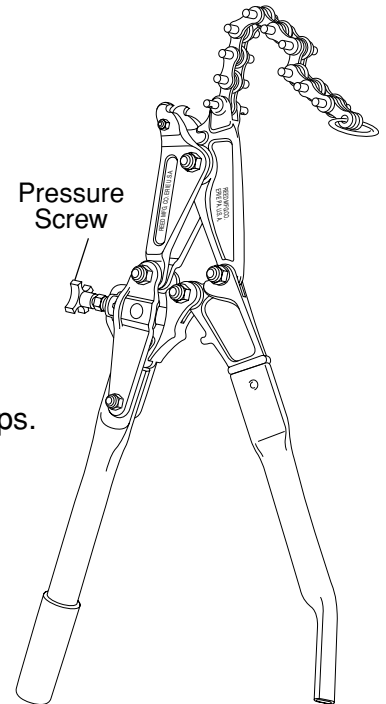


PIPE TOOLS & VISES
SINCE 1896

SC59 Soil Pipe Cutter Operating Instructions

Warning: The high pressure exerted by cutter can cause cut piece to fly with great force.

1. Place cutter on ground with pressure screw facing up and fully extend the chain underneath the pipe.
2. Fully open chain jaws by turning the pressure screw counter-clockwise until it stops.
3. Wrap chain around pipe and connect the closest link to the upper jaw. Check to ensure that the excess chain comes out the top of the hooks and into the clear.
4. Tighten pressure screw until handle ends are about 45° apart.
5. Apply enough pressure to handle to mark pipe. Rotate pipe slightly and mark again until you have a series of marks to form a line around the pipe. (If you are cutting pipe that is held solid, it will be easier to apply pressure and rotate the cutter back and forth to form a line.)
6. Stand on one handle and exert down pressure on the other to finish the cut.



REED MANUFACTURING COMPANY

1425 WEST 8TH ST. ERIE, PA 16512-1321 800-666-3691 OR 814-452-3691 www.reedmfgco.com

1209-50348

SC59 Soil Pipe Cutters

SINGLE STROKE

| Catalog No. | Item Code | Pipe Capacity | | Length | | Weight | |
|-------------|-----------|---------------|-------------|--------|-------|--------|------|
| | | Inches Nom. | Actual Ø mm | in | mm | lbs | kg |
| SC59-6 | 08059 | 1 1/2 -6 | 160 | 43 | 1,092 | 23.8 | 10.8 |
| SC59-8 | 08060 | 1 1/2 -8 | 212 | 43 | 1,092 | 25.6 | 11.6 |
| SC59-10 | 08061 | 1 1/2 -6 | 268 | 43 | 1,092 | 27.4 | 12.5 |
| SC59-12 | 08062 | 1 1/2 -12 | 317 | 43 | 1,092 | 29.2 | 13.3 |
| SC59-15 | 08063 | 1 1/2 -15 | 403 | 43 | 1,092 | 31.0 | 14.1 |

**Maximum Pipe Capacities
(determined by maximum pressure applied):**

- Extra heavy cast iron soil pipe..... 2-4" (62-125mm)
- Service weight cast iron soil pipe..... 2-8" (62-212mm)
- Concrete pipe..... 4-6" (125-160mm)
- No-Hub® cast iron soil pipe..... 1 1/2-8" (38-212mm)
- Clay pipe..... 2-15" (62-403mm)

Extension chains available to increase capacity of smaller cutters.

ACCESSORIES

| Catalog No. | Item Code | Description |
|-------------|-----------|---|
| SCEXT | 40336 | 10" Extension Chain with 8 pitches at 1.25" per pitch |
| TW516 | 02298 | 5/16" Torque Wrench |
| TW38 | 02300 | 3/8" Torque Wrench |

Reed also offers the SC49 series as "Ratchet Style" Soil Pipe Cutters for close quarters work.

1209-50348

SC59 Soil Pipe Cutters

SINGLE STROKE

| Catalog No. | Item Code | Pipe Capacity | | Length | | Weight | |
|-------------|-----------|---------------|-------------|--------|-------|--------|------|
| | | Inches Nom. | Actual Ø mm | in | mm | lbs | kg |
| SC59-6 | 08059 | 1 1/2 -6 | 160 | 43 | 1,092 | 23.8 | 10.8 |
| SC59-8 | 08060 | 1 1/2 -8 | 212 | 43 | 1,092 | 25.6 | 11.6 |
| SC59-10 | 08061 | 1 1/2 -6 | 268 | 43 | 1,092 | 27.4 | 12.5 |
| SC59-12 | 08062 | 1 1/2 -12 | 317 | 43 | 1,092 | 29.2 | 13.3 |
| SC59-15 | 08063 | 1 1/2 -15 | 403 | 43 | 1,092 | 31.0 | 14.1 |

**Maximum Pipe Capacities
(determined by maximum pressure applied):**

- Extra heavy cast iron soil pipe..... 2-4" (62-125mm)
- Service weight cast iron soil pipe..... 2-8" (62-212mm)
- Concrete pipe..... 4-6" (125-160mm)
- No-Hub® cast iron soil pipe..... 1 1/2-8" (38-212mm)
- Clay pipe..... 2-15" (62-403mm)

Extension chains available to increase capacity of smaller cutters.

ACCESSORIES

| Catalog No. | Item Code | Description |
|-------------|-----------|---|
| SCEXT | 40336 | 10" Extension Chain with 8 pitches at 1.25" per pitch |
| TW516 | 02298 | 5/16" Torque Wrench |
| TW38 | 02300 | 3/8" Torque Wrench |

Reed also offers the SC49 series as "Ratchet Style" Soil Pipe Cutters for close quarters work.

1209-50348