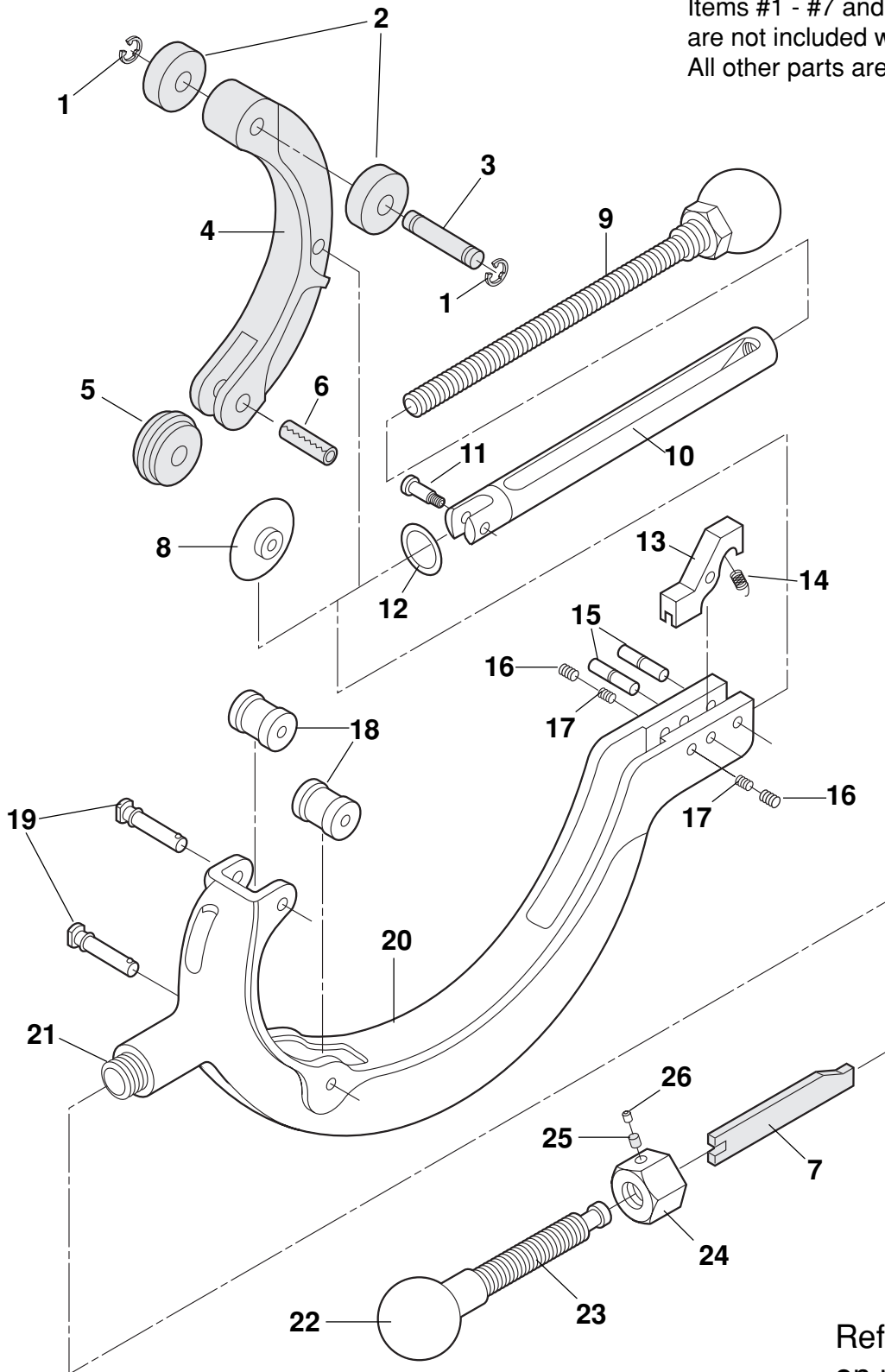




PIPE TOOLS & VISES
SINCE 1896

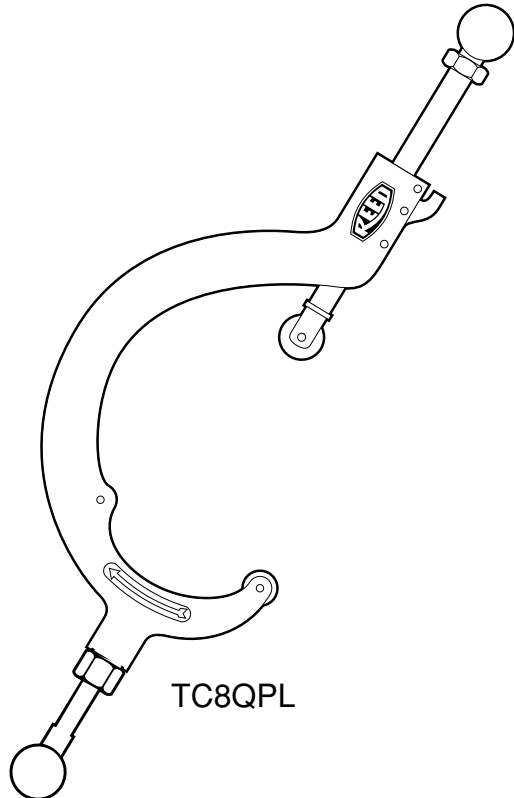
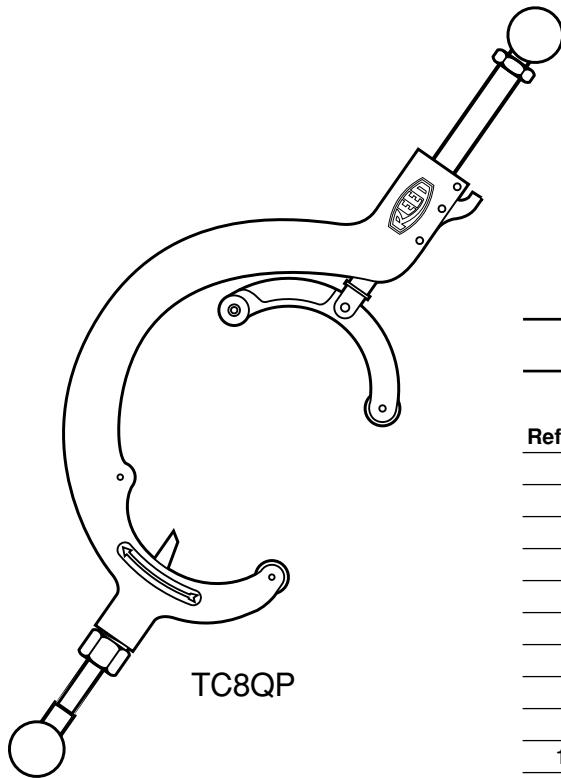
Quick Release™ Tubing Cutters (TC8QP & TC8QPL)

Replacement Parts



Items #1 - #7 and #25 (shaded areas)
are not included with the TC8QPL.
All other parts are interchangeable.

Reference chart
on reverse side



Parts List

Ref. No.	Description	Item Code	TC8QP	TC8QPL
			Qty. Used	Qty. Used
1	Retaining Ring	30020	2	-
2	3/4 Guide Roller	94025	2	-
3	Guide Roller Pin	94028	1	-
4	Roller Attachment	94026	1	-
5	1/2 Guide Roller	94024	1	-
6	Roll Pin	30017	1	-
7	Parting Tool Blade	04191	1	-
8	Cutter Wheel	04199	1	1
9	Handle & Screw Assembly	94013	1	1
10	Bar	94019	1	1
11	Wheel Screw	93431	1	1
12	Retaining Ring	30016	1	1
13	Zip Nut	40053	1	1
14	Zip Nut Spring	40055	1	1
15	Zip Nut Pivot Screw	94021	2	2
16	Set Screw	40083	2	2
17	Nut Set Screw	30019	2	2
18	Body Roller	94023	2	2
19	Roller Pin Assembly	94029	2	2
20	Body	94018	1	1
21	Barrel	94031	1	1
22	Red Ball Knob	40051	1	1
23	Trim Blade Feed Screw	94016	1	1
24	Trim Blade Cap Nut	94017	1	1
25	Lubrihyde Plug	40052	1	-
26	Set Screw	30018	1	1