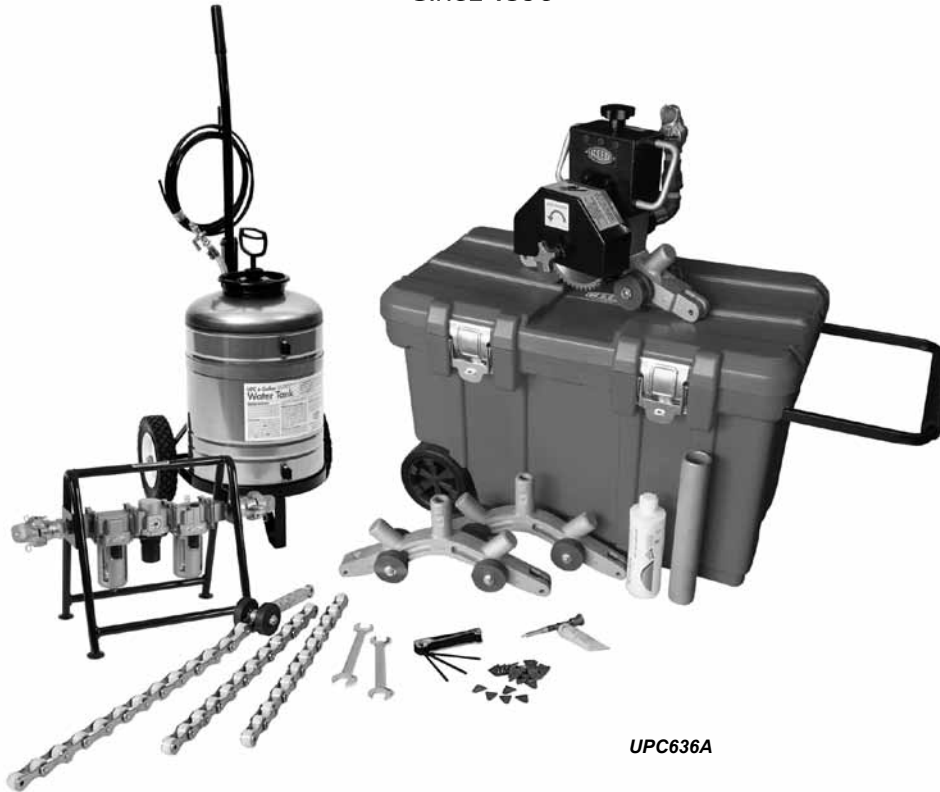




PIPE TOOLS & VISES  
SINCE 1896



UPC636A

**CAUTION:** When cutting steel, ductile iron, or cast iron, the UPC can produce sparks. When cutting PE, the UPC may cause a build-up of static electricity. Do not use the UPC saw in-line on potentially explosive or otherwise dangerous situations. The line must be verified as completely purged of any flammable vapor or liquid.

**PRECAUCIÓN:** Al cortar acero, hierro dúctil o hierro colado, el cortatubos universal (UPC) puede producir chispas. Al cortar PE, el cortatubos universal (UPC) puede causar acumulación de electricidad estática. No utilice la sierra en línea del cortatubos universal (UPC) si pueden producirse explosiones o algún otro tipo de peligros. Se debe verificar que la línea esté completamente purgada de cualquier vapor o líquido inflamable.

**ATTENTION:** Lors de la découpe de tuyaux en acier, en fonte ductile ou en fonte, l'UPC peut générer des étincelles. Quand vous coupez des tuyaux en PE, l'UPC peut entraîner une accumulation d'électricité statique. N'utilisez pas l'outil de découpe en cas de risques d'explosion potentiels ou autres situations dangereuses. Il est nécessaire de vérifier que le tuyau a été totalement purgé de tout liquide ou vapeur inflammable.

**ACHTUNG:** Wenn Sie Rohre aus Stahl, Gusseisen oder Kugelgraphitgusseisen schneiden, können beim Schneiden mit dem Universalrohrschneider (Universal Pipe Cutter, UPC) Funken entstehen. Wenn Sie PE-Rohre schneiden, dann kann sich Ihr Universalrohrschneider elektrostatisch aufladen. Arbeiten Sie mit der UPC-Säge auf keinen Fall in einer Umgebung, in der Explosionsgefahr oder Gefahr einer vergleichbaren Art besteht, an aktiven Leitungen. Die jeweilige Leitung muss dahingehend überprüft werden, ob sie vollständig frei von entflammaren Dämpfen und Flüssigkeiten ist.

**ATTENZIONE:** Quando vengono tagliati materiali quali acciaio, ferro dolce o ghisa l'unità tagliatubi può produrre scintille. Quando viene tagliato il polietilene, l'unità tagliatubi potrebbe inoltre causare un accumulo di elettricità statica. Non utilizzare la sega dell'unità tagliatubi in linea in situazioni che possono dare luogo a potenziali esplosioni o altrimenti pericolose. La linea deve essere controllata e risultare completamente scarica di vapori o liquidi infiammabili.

**UNIVERSAL PIPE CUTTERS  
OPERATOR'S MANUAL**

**CORTATUBOS UNIVERSALES –  
MANUAL DEL OPERADOR**

**COUPE-TUYAUX UNIVERSELS -  
MANUEL D'UTILISATION**

**UNIVERSALROHRSCHEIDER (UPC)  
BETRIEBSANLEITUNG**

**TAGLIATUBI UNIVERSALI  
MANUALE DI ISTRUZIONI**



**UPC616A  
UPC636A  
UPC648A  
UPC836APE  
UPC848APE  
UPC616AP**

**TRAINING  
VIDEOS**  
Videos de capacitación  
Vidéos d'instructions

PIPE TOOLS & VISES  
SINCE 1896

[videos.reedmfgco.com](https://videos.reedmfgco.com)

REED MANUFACTURING

1425 WEST EIGHTH ST. ERIE, PA 16502 USA PHONE: 800-666-3691 OR 814-452-3691 reedsales@reedmfgco.com

[www.reedmfgco.com](http://www.reedmfgco.com)

## — TABLE OF CONTENTS —

<b>I. SAFETY INSTRUCTIONS &amp; WARNING</b>	2	<b>IV. OPERATION</b>	5, 6
<b>II. DESCRIPTION/CAPACITIES</b>	2, 3	<b>V. MAINTENANCE</b>	6
<b>III. ASSEMBLY</b>	3, 4, 5	<b>VI. REPLACEMENT PARTS LIST</b>	7

### I. SAFETY INSTRUCTIONS & WARNING

#### A. Always Comply With:

1. General Industry Safety & Health Regulations, issued by OSHA.
2. ANSI Specification Nos. B186.1, B7.
3. State and Local Regulations.

#### B. Abbreviated Form of Above Regulations:

These regulations are not all inclusive—study and comply with all above regulations.

1. Check Cutter Speed Before Mounting Cutter.
2. Use Tachometer  
Actual speed must not exceed rated speed.
3. Perform Speed Checks When:
  - a. A tool is issued for use.
  - b. After all tool repairs.
4. Use Tools Only For Intended Purpose
5. Test & Operate Tools at 90 PSIG Maximum  
Only exception is if tool is marked otherwise.
6. Use Recommended Air Line Equipment  
This includes air line filters, regulators, and lubricators.
7. Stop Immediately If:
  - a. Unusual sound is heard, or...
  - b. Unusual vibration is experienced (Refer to Section III to check if proper assembly was followed).
8. Check Speed Rating Of Blade  
Must equal or exceed speed rating of air motor.
9. Mount Blade According To Regulations. Refer to Section IIIA - IIIB.
10. Inspect Blade
  - a. Refer to aforementioned regulations. (Section IA)
  - b. Discard if chipped, cracked or otherwise damaged.
11. Mount Proper Blade Guard
  - a. Refer to Section IIIC.
  - b. Sample Warning Label:
12. Always Wear Protective Equipment When Tool is in Use

- a. Refer to aforementioned regulations (Section IA) concerning goggles, face shields, and other protective clothing.
- b. Appropriate hearing protection which reduces noise to acceptable levels must be worn.

13. Employ a Safety Program  
Refer to ANSI and OSHA specifications for inspection and maintenance procedures.

**WARNING: Failure to comply with all safety regulations may result in serious injury.**

### II. DESCRIPTION

#### A. Pipe Cutter Model: UPC 616A, 616AP, 636A, 648A, 836APE & 848APE

**NOTE: Models UPC836APE and UPC848APE are specifically for use on PE (high density polyethylene) pipe. With a larger diameter blade (8" diameter), they can cut up to 2.65" (69 mm) wall thickness PE pipe. They can also be used on PVC plastic pipe when fitted with a PVC blade. UPC836APE and UPC848APE do not come with a pressurized water system and cannot be used on pipe requiring a water-cooled blade such as Cast Iron, Pit Cast, Ductile Iron, Clay, or Concrete.**

#### B. Motor Specifications:

Horsepower Generated by UPC = 1.7 H.P. (1.3 kW)  
 Maximum R.P.M. = 3675  
 Air Consumption = 50 cu. ft./min. (1.4 cu. m/min.)  
 Pressure = 90 P.S.I. Maximum (6 BAR)  
 Shut -Off = 3/4" Ball valve  
 Air Supply Fittings = 3/4" Dixon "Air King" Coupling

<b>WARNING / ADVERTENCIA</b>	
<p><b>HIGH SPEED ROTATING BLADE</b>                  Can cause severe personal injury. Keep hands clear of blade while saw is running.  <b>DO NOT</b> operate this unit without blade guard in place.</p> <p><b>HOJA GIRATORIA DE ALTA VELOCIDAD</b>                  Puede causar lesiones personales graves. Aleje las manos de la hoja cuando la sierra esté en funcionamiento.  <b>NO opere</b> esta unidad si la guarda de la hoja no está en su lugar.</p>	<p><b>DO NOT</b> use this cutter on AC pipe or FRP (GRP) pipe. Free asbestos fibers and/or fiberglass fibers may be hazardous to your health.</p> <p><b>NO use</b> este cortador en tuberías de asbesto o tuberías reforzadas con fibra de vidrio. Las fibras de asbesto y/o de fibra de vidrio que se desprenden y vuelan libres pueden ser peligrosas para su salud.</p> <p style="font-size: small;">Reed Manufacturing, Erie, PA USA <a href="http://www.reedmfco.com">www.reedmfco.com</a></p>

### C. Pipe Cutting Range:

UPC616A	6" – 16" nominal (150 – 450 O.D. mm)
UPC636A	6" – 36" nominal (150 – 1000 O.D. mm)
UPC648A	6" – 48" nominal Pipe (150 – 1300 O.D. mm)
UPC836APE	8" – 36" nominal PE pipe ONLY (200 – 1000 O.D. mm)
UPC848APE	8" – 48" nominal PE pipe ONLY (200 – 1300 O.D. mm)

### D. Beveling:

Bevel determined by Bevel Cutter used. Available by special order.

### E. Maximum Cutting Depth

4" Blade	= 23/32" (18.3 mm)
6" Blade	= 1 23/32" (43.6 mm)
4" Blade Steel	= 1/2" (12.7 mm)
6" Blade Steel	= 1/2" (12.7 mm)
8" Blade PE	= 2 23/32" (69 mm)

### F. Standard Equipment

Standard Equipment	UPC616A	UPC636A	UPC648A	UPC836APE	UPC848APE
Power Cutter with 1.7 H.P. Motor	YES	YES	YES	YES	YES
Chain/Turnbuckle Assembly	YES	YES	YES	YES	YES
	cut up to 16"				
Connecting Frames & Chain to cut up to	NO	36"	48"	36"	48"
Filter/Regulator/Lubricator with Stand	YES	YES	YES	YES	YES
Water Tank	3 gallon	6 gallon w/Cart	6 gallon w/Cart	NO	NO
Carrying Case	YES	YES	YES	YES	YES
Air Line Oil	YES	YES	YES	YES	YES
Grease Gun w/Gear Grease	YES	YES	YES	YES	YES
Hex Key Wrench Set	YES	YES	YES	YES	YES
Open End Wrenches	YES	YES	YES	YES	YES
Wedges	YES	YES	YES	YES	YES
UPCSTEEL6 6" blade	NO	NO	NO	YES	YES
UPCPE8 8" blade	NO	NO	NO	YES	YES

### G. Optional Accessories/Blades

Use BLADE SELECTION CHART to choose the best blade for the application. (see below)

### H. Auxiliary Equipment Required:

Air compressor capable of sustaining 50 SCFM @ 90 psi. Hoses equipped with compatible fittings. If fittings other than those supplied with the motor are used, they should be a full bore type to maximize motor speed.

## III. ASSEMBLY

### A. Blade Installation

1. Select a Blade from the Chart Below
2. Install Blades

- a. Standard Arbor - Install the blade on the 5/8 diameter arbor shoulder (Fig. 2). Install the flange with the relieved side toward the blade and screw on the locknut. While holding a wrench (supplied) on the 7/8 arbor flats, tighten the arbor locknut. The blade must seat fully on the arbor shoulder and flush against the face of the arbor.

NOTE: To cut PVC only, without bevel, use standard arbor #97617 that ships installed with the unit.

- b. Long Arbor for Cutting & Beveling PVC

To cut and bevel at one time, install bevel cutter (small edge toward motor) over Long Arbor #97561. Next, install selected blade on 5/8 diameter arbor shoulder (Fig. 3). Install flange washer with relieved side toward blade and then screw on locknut. While holding a wrench (supplied) on 7/8 arbor flats, tighten arbor locknut using 3/4" wrench (supplied). Blade must seat fully on arbor shoulder and flush against bevel cutter. See *Cut & Bevel PVC Set-up, Fig. 7 for full details.*

- c. Guideline for depth when beveling:

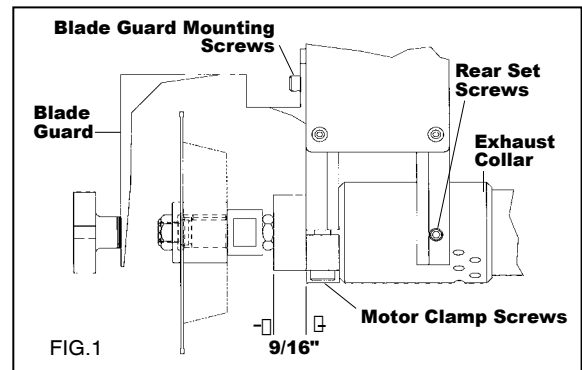
- 6" blade plunge an additional 1.7" after blade contacts pipe
- 4" blade plunge an additional 1.1" after blade contacts pipe

NOTE: Blade life depends on weather conditions, type of pipe and pipe diameter, and exterior pipe treatments.

CAUTION: Air Motor rotates COUNTERCLOCKWISE as viewed from the arbor end. Blades stamped with rotation arrow must be installed so they rotate counterclockwise.

### B. Installing Bevel Cutters (Fig. 1) Optional

1. Check motor tightness by tightening motor clamp screws (2) on the underside of unit. (Fig. 1)



BLADE SELECTION CHART			Pipe Diameter	Pipe Material
Catalog No.	Item Code	Description		
UPCARB4	97510	4" BLADES cut up to 23/32" (18.3 mm) wall thickness	6" (150 mm)	PVC
UPCBPVC*	97511	PVC Bevel Cutter	6" - 48" (150-1300 mm)	PVC
UPCARB6	97514	6" BLADES cut up to 1 23/32" (43.7 mm) wall thickness	8" - 48" (200-1300 mm)	PVC
UPCSTEEL4	97519	4" BLADES cut up to 1/2" (12.7 mm) wall thickness	6" - 8" (150-200 mm)	Steel
		4" BLADES cut up to 23/32" (18.3 mm) wall thickness	6" - 8" (150-200 mm)	PE
UPCSTEEL6	97520	6" BLADES cut up to 1/2" (12.7 mm) wall thickness	8" - 48" (200-1300 mm)	Steel
		6" BLADES cut up to 1 23/32" (43.7 mm) wall thickness	8" - 48" (200-1300 mm)	PE
UPCPE8**	97521	8" BLADES cut up to 2 23/32" (69 mm) wall thickness	26" - 48" (660-1300 mm)	PE
UPCDIA4	97529	4" BLADES cut up to 23/32" (18.3 mm) wall thickness	6" - 8" (150 - 200 mm)	Cast Iron, Pit Cast, Ductile Iron, Clay, Concrete
UPCDIA6	97525	6" BLADES cut up to 1 23/32" (43.7 mm) wall thickness	8" - 48" (200-1300 mm)	Cast Iron, Pit Cast, Ductile Iron, Clay, Concrete

\* Used with UPCARB4 or UPCARB6 cut-off blades. Long arbor #97561 is required since this bevel cutter has 1/4" blade thickness.

\*\* This blade works only with UPC836 and UPC848 models.

2. Rotate exhaust collar until ports are in downward position. Position rear set screws (2) to lightly touch the exhaust collar. Tightening the rear set screws will damage the motor and warp the motor bracket.
3. Remove blade guard, by loosening 2 screws at top of guard. (Fig.1)
4. Remove locknut and flange washer and any blade from the arbor. (Fig. 7)

**WARNING:**  
Do not use the unit without the blade guard.

**C. Reinstall blade guard and tighten mounting screws.**

**D. Select Chain and Connecting Frames to match outside Diameter of Pipe.**

NOTE: UPC616 uses Motor Frame and 19 Link Chain/Turnbuckle Assembly.

**E. Assembly of Unit on Pipe**

1. Loosen motor bracket locking knob. (Fig. 4)
2. Retract motor bracket to uppermost position, by turning feed knob counterclockwise. (Fig. 4)
3. Connect 13 link chain and turnbuckle assembly to motor unit with release pin. Extend turnbuckle to outermost position. (Fig. 5)
4. Connect chain hook with release pin to other side of motor unit. Assemble hook in upward position.



PHOTO #2

NOMINAL PIPE DIAMETER	MOTOR FRAME	13 LINK CHAIN ASSEMBLY WITH TURNBUCKLE	11 LINK CHAIN ASSEMBLY	CONNECTING FRAME
6 – 12 IN.	1	1	—	—
14 – 26 IN.	1	1	1	1
28 – 36 IN.	1	1	2	2
40 – 48 IN.	1	1	3	3



PHOTO #1

5. Place the unit on the pipe being sure to firmly hold the motor unit while wrapping the chain around to connect to the hook on the motor frame (Photo #2). Tighten turnbuckle so unit is snug but can be rotated (Photo #2). Cutter should always be mounted on the section of pipe not being removed.

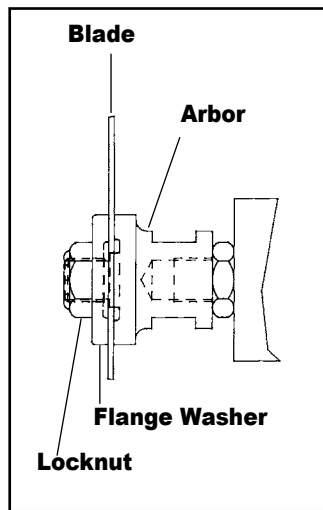
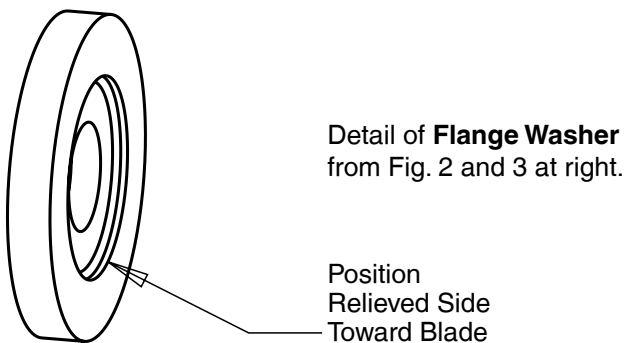


FIG. 2

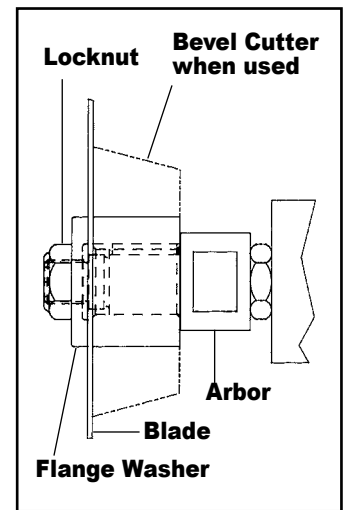


FIG. 3

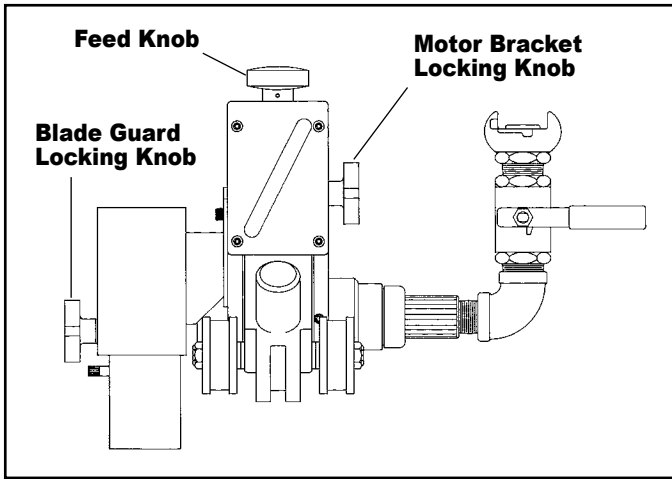


FIG. 4

6. If cutting pipe where connecting frames and 11 link chains are needed, (UPC636 & UPC648) pre-assemble chain hooks to the aluminum connecting frames, with the chain hooks in the downward position. Return to Step 5, being sure to space the connecting frames equidistant to the motor unit. (Fig. 5)

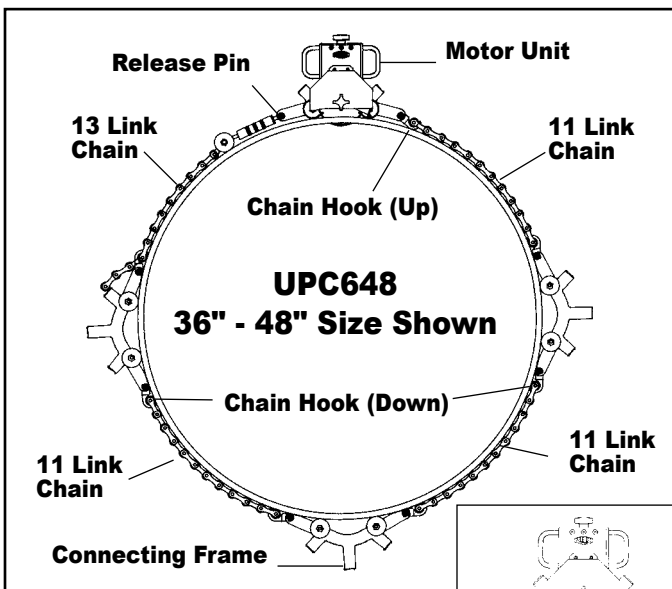


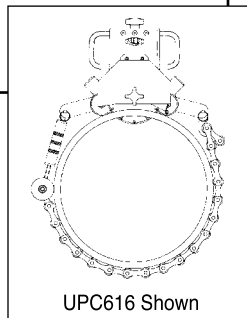
FIG. 5

#### F. Align Cutter (Test Tracking)

Rotate unit around pipe (one revolution). To check tracking accuracy, mark the pipe at one of the motor unit rollers and rotate the unit again and note off/on track condition. By tapping or resetting the chain and/or connecting frames, the unit can be aligned.

#### G. Connect Air Supply

Unit is supplied with Street ElI, Ball valve and Dixon coupling, however, any combination of piping to the unit can be used as long as all fittings are full flow to ensure maximum motor RPM. Always connect to warm air side of compressor if so equipped. This will provide best tool performance.



#### H. Adjust Filter, Regulator, Lubricator (FRL)

Note: It is imperative the filter, regulator, lubricator be employed when running the UPC Pneumatic. The air should be clean, dry, and lubricated to maximize motor life and performance.

1. Before pressurizing, fill the oiler with the oil provided, by removing the large black cap on the top. (Do not exceed the maximum fill line) Replace cap.
2. Set air pressure to 90 PSI maximum. Loosen wing-nut on bottom of regulator, and turn large knob clockwise until pressure is attained.
3. Turn the small set screw to set the oil drip. The oiler should be set of 5-8 drops per minute.

#### I. Fill and Attach Water Tank (not required for cutting plastic pipe) to Blade Guard

Water is used to help cool the diamond blades when cutting cast iron, ductile iron and clay pipe. In cold temperatures, low-level heat may be applied to the water tank, or a non-toxic, environmentally safe, anti-freeze may be added to the water.

### IV. OPERATION

#### A. Position the Cutting Blade

1. Loosen blade guard locking knob until swing guard rests on pipe.
2. Turn cutter feed knob clockwise. (Fig.4) Lower motor and cutter close to, but not touching the pipe. Motor bracket locking knob should be tight, yet allow the bracket to slide.

#### B. Pressurize Water Tank by Following Instructions Provided with Tank

Open valve on tank. Continue to repressurize tank during use.

**Special instructions  
for cutting Steel Pipe and PE Pipe on next page.**

#### C. Turn Motor On

After ensuring air line is clear of dirt and debris, connect air hose to motor. Open ball valve on motor.

**WARNING: Blade is now rotating, keep hands clear.**

#### D. Slowly Feed the Blade into the Pipe.

Note: Fast feeding can result in tracking off.

1. Note position of depth gauge pointer (divided in tenths of inches with MM references). (Photo #3)
- 2.\* Knowing the thickness of pipe to be cut, turn the feed knob clockwise, (Fig. 4) until the pointer indicates the desired depth of cutter. Allow at least  $1/4$ " of blade beyond depth of cut.

\*Exception to this would be if the bevel cutter was being used for plastic, then the cutter would be engaged until the bevel cutter began cutting. At this point the depth gage pointer could be used to determine amount of bevel. Full engagement produces a  $15/16$ " bevel. (Fig. 4)

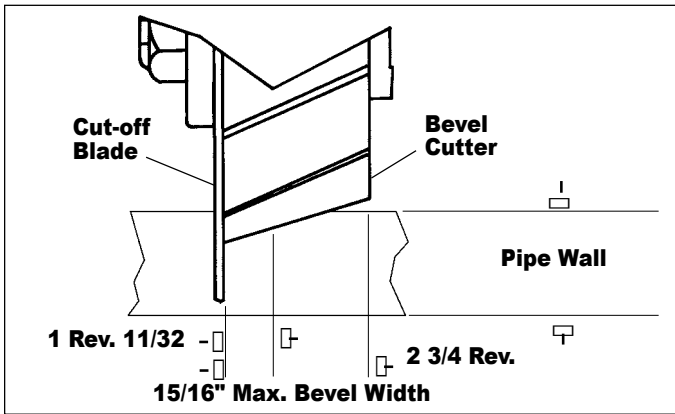


FIG. 6

3. Tighten motor bracket locking knob. (Fig. 4)
4. Tighten blade guard locking knob approximately 1/8" from pipe. (Fig. 4)
5. Rotate unit in direction of arrow on top of motor bracket.
6. Space wedges every 9-12 inches.
7. The unit will cut under water, however, if it is stalled, rotate it back up through its cut and exhaust the water before cutting again.
8. When beveling plastic pipe, overlap the start/finish point of cut to ensure a complete bevel.
9. If the blade is pinched in the cut:
  - a. Disconnect air supply line from unit.
  - b. Open ball valve to ensure complete bleed off through motor.
  - c. Remove blade guard.
  - d. Remove locknut, flange from arbor.
  - e. Disconnect chain.
  - f. Pull motor unit out of blade.
  - g. Remove blade from pipe by lifting the pipe. Inspect the blade for damage.
10. If the motor will not be used again in the same day, open the ball valve, pour about a teaspoon of air line oil into the air inlet port and close the ball valve.

#### For Use on Steel Pipe:

There are going to be sparks whether or not water is used with the UPC to cut steel. It is easier to make the cut without water because the chips tend to fall away from the work area. However, using water reduces the amount of sparks.

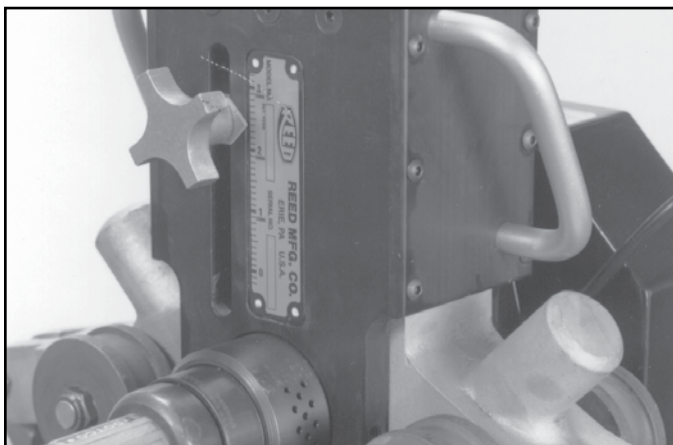



PHOTO #3

Water keeps the blade cooler, but it causes the chips to gather into the blade cutting space. This makes more work for the blade as it may "recut" those same chips that fall into the workspace.

#### For Use On PE:

It is a 100% dry cut for PE. Turn the exhaust collar on the back of the UPC straight up so the exhaust is blowing straight up and not onto the pipe. Use a new hose from the compressor to the FRL and a new hose from the FRL to the UPC itself. By using a new hose, oil coming through can be significantly reduced. Users should also wipe off the exhaust collar on a regular basis so there is not a build-up of oil or dripping oil.

**CAUTION:** When cutting steel, ductile iron, or cast iron, the UPC can produce sparks. When cutting PE, the UPC may cause a build-up of static electricity. Do not use the UPC saw in-line on potentially explosive or otherwise dangerous situations. The line must be verified as completely purged of any flammable vapor or liquid.



## V. MAINTENANCE

### A. Motor

1. Lubrication: Grease the planetary gears after each day's use with the gear grease and grease gun provided. (APEX Tool Group Grease No. 45-0983 is recommended). A 1/4" hole at the front on the motor exhaust collar reveals a grease fitting. The fitting should be facing up when turning the motor unit upside down. Refer to UPC Service Bulletin #50498. The motor should also be oiled before and after each days use (Sec. IV, D. Item 10).
2. Service: Refer to the service notice on underside of carrying case lid.

**Note: In the event of experiencing motor problems, (i.e. - leakage, loss of power, etc.) do not disassemble the motor. This will void the motor warranty. Send motor back to Reed Manufacturing for service.**

### B. Cover Air Port with Cover Coupling When Unit is not in Use

### C. Dress (Sharpen) Diamond Blades

1. See UPC Service Bulletin #50498.

### D. Clean Carbide Grit Blade if it Becomes Loaded

1. Use wire brush or appropriate solvent.
2. Direction of blade may be reversed for longer life.

### E. Sharpen Steel/PE Blades/Bevel cutter

Should be performed by a professional tool grinding service.

### F. Occasionally lubricate the release pins, chain links, main frame screw, roller pins and turnbuckle assembly with a water displacing lubricant (WD-40 or equivalent).

®WD-40 is a registered trademark of the WD-40 Company.



# Cut & Bevel PVC Set-up, Fig. 7.

## Installation of REED bevel cutter and blade for PVC



97561 UPCLA Long Arbor



97511 UPCBPVC PVC Bevel Cutter



1. Start with base motor unit



2. Tighten Long Arbor onto motor unit



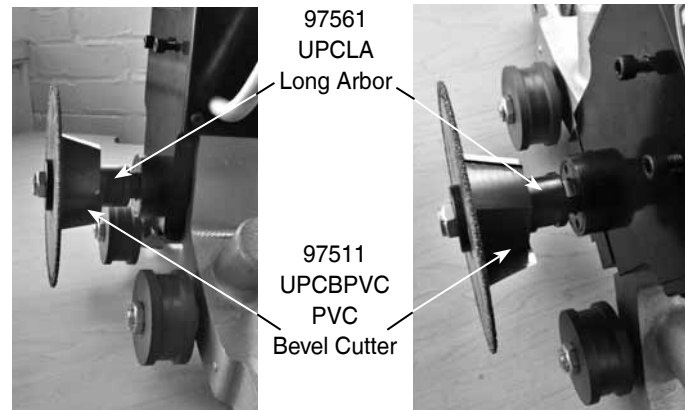
3. Tighten PVC Bevel Cutter onto Long Arbor



4. Add blade for PVC

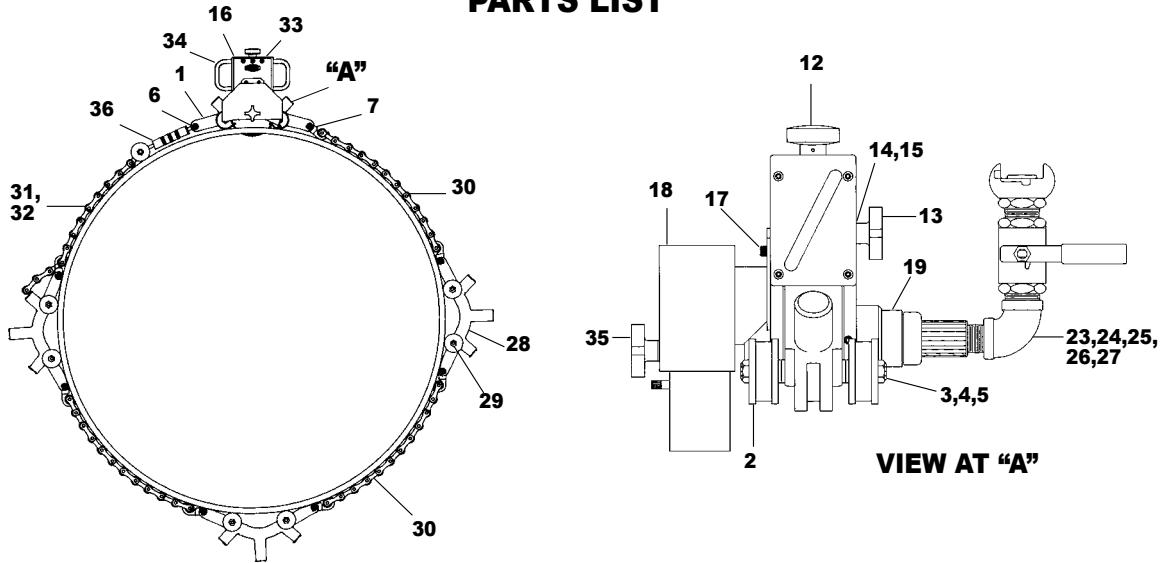


5. Slide on 97066 Flanged Washer and then tighten 97543 Flexloc Nut



6. Add Blade Guard Assembly

# PARTS LIST



P/N	DESCRIPTION	UPC616A		UPC636A		UPC648A		UPC836APE		UPC848APE	
		QTY	CAT NO	QTY	CAT NO	QTY	CAT NO	QTY	CAT NO	QTY	CAT NO
1	MOTOR FRAME ASSEMBLY*	1	97067	1	97067	1	97067	1	97067	1	97067
2	ROLLERS, MOTOR FRAME, SET	4	97541	4	97541	4	97541	4	97541	4	97541
3	ROLLER PIN	2	97542	2	97542	2	97542	2	97542	2	97542
4	LOCKNUTS, ROLLER PIN	4	97543	4	97543	4	97543	4	97543	4	97543
5	SET SCREWS, ROLLER PIN	4	97544	4	97544	4	97544	4	97544	4	97544
6	RELEASE PIN	2	94477	6	97545	8	97545	6	97545	8	97545
7	CHAIN HOOK	1	97546	5	97546	7	97546	5	97546	7	97546
8	FEED SCREW	1	97547	1	97547	1	97547	1	97547	1	97547
9	BUSHING, FEED SCREW	1	97548	1	97548	1	97548	1	97548	1	97548
10	SET SCREW, COLLAR	2	40083	2	40083	2	40083	2	40083	2	40083
11	COLLAR	1	93140	1	93140	1	93140	1	93140	1	93140
12	KNOB, FEED	1	97551	1	97551	1	97551	1	97551	1	97551
13	KNOB, MOTOR LOCK	1	97552	1	97552	1	97552	1	97552	1	97552
14	WASHER, NYLON	1	97553	1	97553	1	97553	1	97553	1	97553
15	INDICATOR	1	97554	1	97554	1	97554	1	97554	1	97554
16	MOTOR BRKT. ASSEMBLY	1	97555	1	97555	1	97555	1	97555	1	97555
17	SCREWS, BLADE GUARD	2	30004	2	30004	2	30004	N/A		N/A	
18	BLADE GUARD ASSEMBLY	1	97559	1	97559	1	97559	1	07509	1	07509
19	MOTOR, AIR 1.7 H.P.	1	97560	1	97560	1	97560	1	97560	1	97560
20	ARBOR, STD	1	97617	1	97617	1	97617	1	97617	1	97617
21	FLANGE	1	97066	1	97066	1	97066	1	97066	1	97066
22	LOCKNUT, ARBOR	1	97543	1	97543	1	97543	1	97543	1	97543
23	NIPPLE 1/2	1	97564	1	97564	1	97564	1	97564	1	97564
24	REDUCING ELBOW 1/2 X 3/4	1	97565	1	97565	1	97565	1	97565	1	97565
25	BALLVALVE 3/4	1	97566	1	97566	1	97566	1	97566	1	97566
26	COUPLING	1	97567	1	97567	1	97567	1	97567	1	97567
27	END CAP	1	97568	1	97568	1	97568	1	97568	1	97568
28	CONNECTING FRAME ASSEMBLY	N/A		2	04481	3	04481	2	04481	3	04481
29	ROLLERS, CONNECTING FRAME W/LOCKNUTS SET	N/A		4	97570	4	97570	4	97570	4	97570
30	CHAIN, 11 LINK ASSEMBLY	N/A		2	97572	3	97572	2	97572	3	97572
31	CHAIN, 13 LINK ASSEMBLY	N/A		1	97573	1	97573	1	97573	1	97573
32	CHAIN, 19 LINK ASSEMBLY	1	97576	N/A		N/A		N/A		N/A	
33	LABEL, WARNING	1	97574	1	97574	1	97574	1	97574	1	97574
34	LABEL, ARROW	1	97575	1	97575	1	97575	1	97575	1	97575
35	KNOB & SCREW ASSEMBLY	1	97578	1	97578	1	97578	1	97578	1	97578
36	CHAIN/TURNBUCKLE ASSEMBLY	1	97580	1	97579	1	97579	1	97579	1	97579
37	WATER TANK	1	40177	1	40159	1	40159	N/A		N/A	
38	WATER SYSTEM HOSE W/FITTINGS	1	97581	1	97581	1	97581	N/A		N/A	
39	HANDLE, ALUM. 12"	1	97582	1	97582	1	97582	1	97582	1	97582
40	LUBRICATING OIL-QT. (AIR MOTOR)	1	97583	1	97583	1	97583	1	97583	1	97583
41	FILTER-REG-LUBRICATOR W/STAND	1	97591	1	97591	1	97591	1	97591	1	97591
42	HEX KEY SET	1	40156	1	40156	1	40156	1	40156	1	40156
43	CARRYING CASE	1	40384	1	97586	1	97586	1	97586	1	97586
44	GREASE GUN	1	97587	1	97587	1	97587	1	97587	1	97587
45	GREASE TUBE	1	97588	1	97588	1	97588	1	97588	1	97588
46	WEDGES, BOX #8010	1	97589	1	97589	1	97589	1	97589	1	97589
47	WRENCH, 3/4 X 7/8	2	97590	2	97590	2	97590	2	97590	2	97590
48*	DRESSING STICK (DIAMOND BLADE)		97595		97595		97595	N/A		N/A	
49*	ARBOR, LONG (USE W/BEVEL)		97561		97561		97561	N/A		N/A	
50*	AIR FILTER REBUILD KIT		47506		47506		47506		47506		47506
51	BLADE 6" PE*	N/A		N/A		N/A		1	97520	1	97520
52	BLADE 8" PE*	N/A		N/A		N/A		1	97521	1	97521
53	PVC BEVEL CUTTER*		97511		97511		97511	N/A		N/A	

SHADED AREA - NOT SHOWN

\* NOT STANDARD



## — ÍNDICE —

<b>I. INSTRUCCIONES DE SEGURIDAD Y ADVERTENCIA</b>	2	<b>IV. OPERACIÓN</b>	5, 6
<b>II. DESCRIPCIÓN/CAPACIDADES</b>	2, 3	<b>V. MANTENIMIENTO</b>	6
<b>III. CONJUNTO</b>	3, 4, 5	<b>VI. LISTA DE PARTES DE REPUESTO</b>	7

### I. INSTRUCCIONES DE SEGURIDAD Y ADVERTENCIA

#### A. Siempre cumplir con:

1. Reglamento general de seguridad y salud industrial, publicado por OSHA.
2. Especificación ANSI Núm. B186.1, B7.
3. Reglamentos estatales y locales.

#### B. Formato abreviado de los Reglamentos anteriores:

Estos reglamentos no lo abarcan todo: estudie todos los reglamentos anteriores y cúmplalos.

1. Revise la velocidad del cortatubos antes de montarlo.
2. Utilice un tacómetro  
La velocidad real no debe superar la velocidad nominal.
3. Revise la velocidad en los siguientes casos:
  - a. Cuando se emite una herramienta para ser usada.
  - b. Después de cada reparación de una herramienta.
4. Use las herramientas solo para el fin que están destinadas
5. Pruebe y opere las herramientas a 90 PSIG máximo.  
La única excepción es si la herramienta tiene marcas que indiquen lo contrario.
6. Use el equipo recomendado para líneas neumáticas  
Esto incluye filtros, reguladores y lubricadores de líneas neumáticas.
7. Pare de inmediato en los siguientes casos:
  - a. Si se escucha un sonido inusual, o...
  - b. Si se experimenta una vibración inusual (Consulte la Sección III para confirmar si el ensamblaje fue correcto).
8. Revise la velocidad nominal de la hoja Debe ser igual o mayor que la velocidad nominal del motor de aire.
9. Monte la hoja cumpliendo con los reglamentos. Consulte la Sección IIIA - IIIB.
10. Inspeccione la hoja
  - a. Consulte los reglamentos antes mencionados. (Sección 1A)
  - b. Si está mellada, cuarteada o si presenta cualquier otro daño, deséchela.
11. Monte la guarda correcta de la hoja
  - a. Consulte la Sección IIIC.
  - b. Muestra de etiqueta de advertencia:

12. Al usar la herramienta siempre póngase equipo protector.
  - a. Consulte los reglamentos anteriores (Sección 1A) sobre el uso de lentes, caretas y demás indumentaria de protección.
  - b. Se debe usar protección auditiva adecuada, que reduzca el ruido a niveles aceptables.
13. Utilice un programa de seguridad  
Consulte las especificaciones de ANSI y de OSHA sobre los procedimientos de inspección y mantenimiento.

**ADVERTENCIA: No cumplir con todos los reglamentos de seguridad puede resultar en graves lesiones.**

### II. DESCRIPCIÓN

#### A. Modelo del cortatubos: UPC 616A, 616AP, 636A, 648A, 836APE & 848APE

**NOTA: Los modelos UPC836APE y UPC848APE son específicos para ser usados en tubos de PE (polietileno de alta densidad). Con una hoja de mayor diámetro (8" de diámetro), pueden cortar tubo de PE de hasta 2.65" (69 mm) de espesor de pared. También pueden usarse en tubo plástico de PVC cuando están equipados con una hoja para PVC. El UPC836APE y UPC848APE no incluyen un sistema de agua presurizada y no pueden usarse en tubos que requiera una hoja enfriada con agua, como los de Hierro colado, Colados en foso, Hierro dúctil, Arcilla o Concreto.**

#### B. Especificaciones del motor:

Potencia generada por UPC = 1.7 C.V. (1.3 kW)

Máximas R.P.M. = 3675

Consumo de aire = 50 Pie<sup>3</sup>/min. (1.4 m<sup>3</sup>/min.)

Presión = 90 P.S.I. Máxima (6 BAR)

Cierre =  $\frac{3}{4}$ " Válvula esférica

Aditamentos de suministro de aire = Acoplamiento Dixon "Air King" de  $\frac{3}{4}$ "

### WARNING / ADVERTENCIA

**HIGH SPEED ROTATING BLADE**  
Can cause severe personal injury. Keep hands clear of blade while saw is running.

DO NOT operate this unit without blade guard in place.

**HOJA GIRATORIA DE ALTA VELOCIDAD**  
Puede causar lesiones personales graves. Aleje las manos de la hoja cuando la sierra esté en funcionamiento.  
NO opere esta unidad si la guarda de la hoja no está en su lugar.



DO NOT use this cutter on AC pipe or FRP (GRP) pipe. Free asbestos fibers and/or fiberglass fibers may be hazardous to your health.

NO use este cortador en tuberías de asbesto o tuberías reforzadas con fibra de vidrio. Las fibras de asbesto y/o de fibra de vidrio que se desprenden y vuelan libres pueden ser peligrosas para su salud.  
Reed Manufacturing, Erie, PA USA www.reedmfgco.com

0820-50218

### C. Rango de corte de tubos:

UPC616A	6" – 16" nominal (150 - 450 mm D.E.)
UPC636A	6" – 36" nominal (150 - 1000 mm D.E.)
UPC648A Tubo	6" – 48" nominal (150 - 1300 mm D.E.)
UPC836APE Tubo PE	8" – 36" nominal ÚNICAMENTE (200 - 1000 mm D.E.)
UPC848APE Tubo PE	8" – 48" nominal ÚNICAMENTE (200 - 1300 mm D.E.)

### D. Biselado:

El bisel está determinado por el Cortador de bisel que se use. Disponible sobre pedido especial.

### E. Máxima profundidad de corte

Hoja de 4" = $2^{3/32}$ " (18,3 mm)
Hoja de 6" = $1^{23/32}$ " (43,6 mm)
Hoja de acero de 4" = $1/2$ " (12,7 mm)
Hoja de acero de 6" = $1/2$ " (12,7 mm)
Hoja de 8" de PE = $2^{23/32}$ " (69 mm)

### F. Equipo estándar

Equipo estándar	UPC616A	UPC636A	UPC648A	UPC836APE	UPC848APE
Cortador eléctrico con 1.7 C.V. Motor	SÍ	SÍ	SÍ	SÍ	SÍ
Conjunto de la cadena/tensor	SÍ	SÍ	SÍ	SÍ	SÍ
	corta hasta 16"				
Conexión de armaduras y cadena para el límite de corte	NO	36"	48"	36"	48"
Filtro/regulador/lubricador con soporte	SÍ	SÍ	SÍ	SÍ	SÍ
Tanque de agua	3 galones	6 galones c/carro	6 galones c/carro	NO	NO
Caja transportadora	SÍ	SÍ	SÍ	SÍ	SÍ
Aceite de líneas neumáticas	SÍ	SÍ	SÍ	SÍ	SÍ
Pistola de engrasar c/Grasa para engranes	SÍ	SÍ	SÍ	SÍ	SÍ
Juego de llaves hexagonales	SÍ	SÍ	SÍ	SÍ	SÍ
Llaves hexagonales de extremo abierto	SÍ	SÍ	SÍ	SÍ	SÍ
Cuñas	SÍ	SÍ	SÍ	SÍ	SÍ
UPCSTEEL6 hoja de 6"	NO	NO	NO	SÍ	SÍ
UPCPE8 hoja de 8"	NO	NO	NO	SÍ	SÍ

### G. Accesorios/hojas opcionales

Use el CATÁLOGO DE SELECCIÓN DE HOJAS para elegir la mejor hoja para la aplicación. (ver a continuación)

### H. Equipo auxiliar requerido:

Compresor de aire capaz de mantener 50 SCFM @ 90 psi. Mangueras equipadas con aditamentos compatibles. Si los aditamentos son distintos a aquellos suministrados con el motor en uso, deben ser del tipo de diámetro completo para maximizar la velocidad del motor.

## III. CONJUNTO

### A. Instalación de la hoja

1. Seleccione una hoja del catálogo a continuación
2. Instale las hojas

- a. Husillo estándar: Instale la hoja en el borde del husillo de 5/8 de diámetro (Fig. 2). Instale la brida con el lado de relieve hacia la hoja y atorníllela a la contratuerca. Manteniendo una llave (suministrada) sobre la cara plana del husillo de, apriete la contratuerca del husillo. La hoja debe asentar completamente en el borde del husillo y quedar al ras de la cara del husillo.

NOTA: Para cortar solo PVC, sin bisel, use el husillo estándar #97617 que se envía junto con la unidad e instalado en ella.

- b. Husillo largo para corte y biselado de PVC

Para cortar y biselar al mismo tiempo, instale el cortador de bisel (con el filo pequeño hacia el motor) sobre el Husillo largo #97561. A continuación, instale la hoja en el borde del husillo de 5/8 de diámetro (Fig. 3). Instale la arandela de la brida con el lado de relieve hacia la hoja y luego atorníllela sobre la contratuerca. Sosteniendo una llave (que se suministra) en las partes planas del husillo de 7/8, apriete la contratuerca del husillo por medio de una llave de 3/4 (que se suministra). La hoja debe asentar completamente en el borde del husillo y quedar al ras del cortador de bisel. *Para los detalles, consulte el Ajuste de corte y bisel de PVC, Fig. 7 en la página 21.*

- c. Pauta sobre la profundidad al biselar: La hoja de 6" se hunde 1.7" más después de que la hoja toca el tubo. La hoja de 4" se hunde 1.1" más después de que la hoja toca el tubo

NOTA: La vida de la hoja depende de las condiciones climáticas, del tipo de tubo y su diámetro, así como de los tratamientos del tubo de exterior.

PRECAUCIÓN: El motor de aire gira en sentido ANTIHORARIO visto desde el extremo del husillo. Las hojas que tienen estampada una flecha de rotación se deben instalar de manera que giren en sentido antihorario.

### B. Instalación de cortadores de bisel (Fig. 1) Opcional

1. Apriete los tornillos de abrazadera (2), en la parte inferior de la unidad, para revisar la hermeticidad del motor. (Fig. 1)

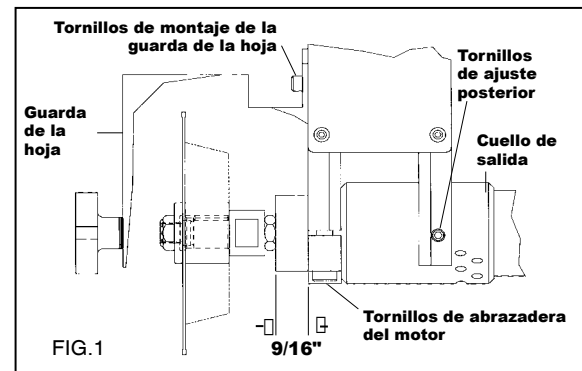


TABLA DE SELECCIÓN DE HOJAS					
Núm. en Catálogo	Código de partida	Descripción	Diámetro de tubo	Material del tubo	
UPCARB4	97510	Las HOJAS de 4" cortan una pared de hasta $23/32$ " (18.3 mm) de espesor	6" (150 mm)	PVC	
UPCBPVC*	97511	Cortador de biseles de PVC	6" - 48" (150-1300 mm)	PVC	
UPCARB6	97514	Las HOJAS de 6" cortan una pared de hasta $1^{23/32}$ " (43.7 mm) de espesor	8" - 48" (200-1300 mm)	PVC	
UPCSTEEL4	97519	Las HOJAS de 4" cortan una pared de hasta $1/2$ " (12.7 mm) de espesor	6" - 8" (150-200 mm)	Acero	
		Las HOJAS de 4" cortan una pared de hasta $23/32$ " (18.3 mm) de espesor	6" - 8" (150-200 mm)	PE	
UPCSTEEL6	97520	Las HOJAS de 6" cortan una pared de hasta $1/2$ " (12.7 mm) de espesor	8" - 48" (200-1300 mm)	Acero	
		Las HOJAS de 6" cortan una pared de hasta $1^{23/32}$ " (43.7 mm) de espesor	8" - 48" (200-1300 mm)	PE	
UPCPE8**	97521	Las HOJAS de 8" cortan una pared de hasta $2^{23/32}$ " (69 mm) de espesor	26" - 48" (660-1300 mm)	PE	
UPCDIA4	97529	Las HOJAS de 4" cortan una pared de hasta $23/32$ " (18.3 mm) de espesor	6" - 8" (150 - 200 mm)	Hierro colado, Cuela en foso, Hierro dúctil, Arcilla, Concreto	
UPCDIA6	97525	Las HOJAS de 6" cortan una pared de hasta $1^{23/32}$ " (43.7 mm) de espesor	8" - 48" (200-1300 mm)	Hierro colado, Cuela en foso, Hierro dúctil, Arcilla, Concreto	

\* Se usa con las hojas de recorte UPCARB4 o UPCARB6; Se requiere el husillo largo #97561 ya que este cortador de biseles tiene espesor de hoja.

\*\* Esta hoja funciona solo con los modelos UPC836 y UPC848.

2. Gire el cuello de salida hasta que los puertos queden orientados hacia abajo. Coloque los tornillos de ajuste posterior (2) de tal modo que toquen ligeramente el cuello de salida. Si se aprietan los tornillos de ajuste posterior se causará daño al motor y se deformará su soporte.
3. Retire la guarda de la hoja aflojando 2 tornillos en la parte superior de la guarda. (Fig. 1)
4. Retire la contratuerca, la arandela de la brida y cualquier hoja del husillo. Consulte la Fig. 7 en la página 21.

**ADVERTENCIA:**

**No use la unidad sin la guarda de la hoja.**

**C. Reinstale la guarda de la hoja y apriete los tornillos de montaje.**

**D. Seleccione la Cadena y los Marcos de conexión para que correspondan con el diámetro exterior del tubo.**

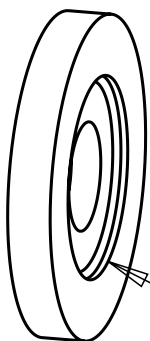
NOTA: UPC616 usa un conjunto de Armadura del motor y Cadena de 19 eslabones/ Tensor.

**E. Conjunto de la unidad en el tubo**

1. Afloje la perilla de seguro del soporte del motor (Fig. 4)
2. Haga girar la perilla de alimentación en sentido antihorario para retraer el soporte del motor hasta su posición más elevada. (Fig. 4)
3. Conecte el conjunto de la cadena de 13 eslabones y el tensor a la unidad del motor con el pasador de liberación. Estire el tensor hasta que alcance su posición más externa. (Fig. 5)
4. Conecte el gancho de la cadena con pasador de liberación al otro lado de la unidad del motor. Ensamble el gancho en posición hacia arriba.



FOTO #1



Detalle de **Arandela de brida** de la Fig. 2 y 3 a la derecha.

Colóquela con el lado del relieve hacia la hoja



FOTO #2

DIÁMETRO NOMINAL DEL TUBO	ARMADURA DEL MOTOR	CONJUNTO DE CADENA DE 13 ESLABONES CON TENSOR	CONJUNTO DE CADENA DE 11 ESLABONES	ARMADURA DE CONEXIÓN
6 - 12 Pulg.	1	1	—	—
14 - 26 Pulg.	1	1	1	1
28 - 36 Pulg.	1	1	2	2
40 - 48 Pulg.	1	1	3	3

5. Coloque la unidad sobre el tubo, asegurándose de sostener firmemente la unidad del motor mientras enrolla la cadena alrededor para conectar el gancho a la armadura del motor (Foto #2). Apriete el tensor de tal modo que la unidad quede firme, pero pueda hacerse rotar (Foto #2). El cortatubos siempre debe montarse en la sección del tubo que no se va a remover.

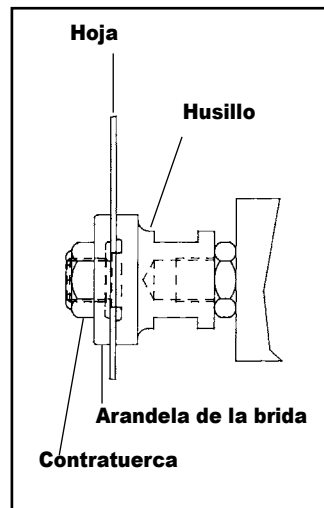


FIG. 2

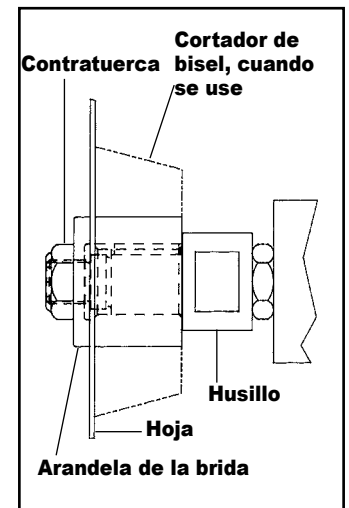


FIG. 3

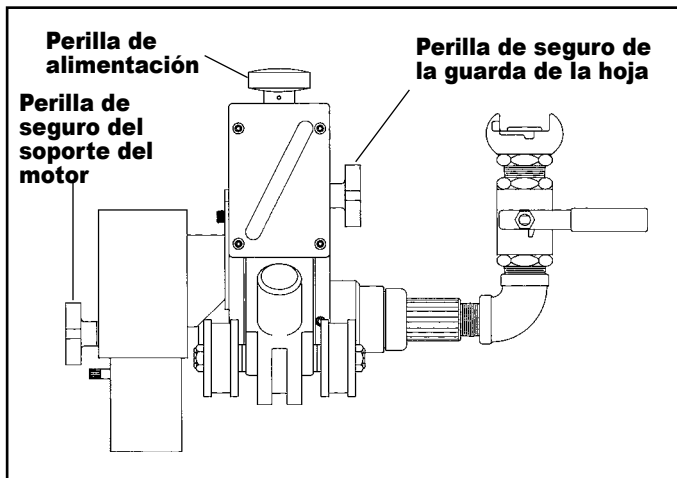


FIG. 4

6. Si se va a cortar tubo donde hay marcos de conexión y se requiere cadena de 11 eslabones (UPC636 y UPC648), preensamble los ganchos de cadena a los marcos de conexión de aluminio colocando los ganchos de cadena hacia abajo. Regrese al Paso 5, cerciorándose de separar los marcos de conexión a distancia **equidistante** de la unidad del motor. (Fig. 5)

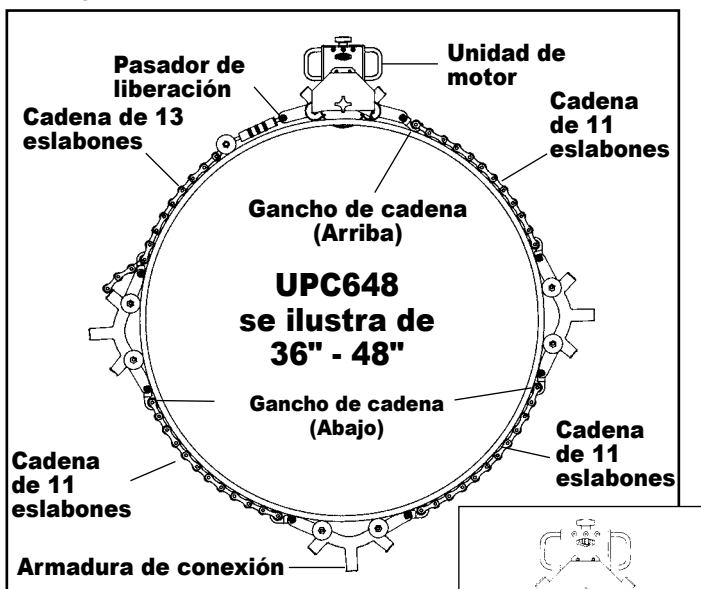
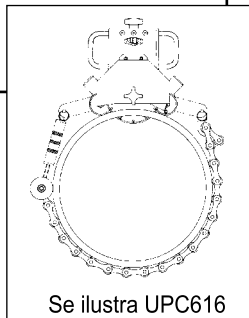


FIG. 5

**F. Alinee el cortatubos (Seguimiento de prueba)**

Rote la unidad alrededor del tubo (Una vuelta). Para revisar la precisión del seguimiento, marque el tubo en uno de los rodillos de la unidad del motor, vuelva a girar la unidad y advierta la condición encendido/apagado (off/on) del seguimiento. La unidad se puede alinear dando un toque o restableciendo la cadena y/o los marcos de conexión.



**G. Conecte el suministro de aire**

La unidad viene suministrada con acoplamientos tipo Street EII, de válvula de esfera y Dixon, sin embargo, se puede usar cualquier combinación de tubería en la unidad, siempre y cuando todas las conexiones tengan el flujo máximo para asegurar el máximo de RPM del motor. Siempre conecte al lado de aire tibio del compresor, si viene equipado así. Esto facilitará el mejor rendimiento de la herramienta

**H. Filtro de ajuste, Regulador, Lubricador (FRL)**

Nota: Es imperativo emplear el filtro, el regulador y el lubricador al hacer funcionar el UPC con fuerza neumática. El aire debe estar limpio, seco y lubricado para maximizar la vida y el rendimiento del motor.

1. Antes de presurizar, llene la aceitera con el aceite que se suministra, quitando la tapa negra grande de la parte superior. (No exceda la línea de llenado máximo) Vuelva a poner la tapa.
2. Ajuste la presión del aire a 90 PSI máximo. Afloje la tuerca de mariposa en la parte inferior del regulador y gire la perilla grande en sentido horario hasta alcanzar la presión requerida.
3. Gire tornillo pequeño de ajuste para ajustar el goteo de aceite. La aceitera deberá ajustarse a un goteo de 5-8 gotas por minuto.

**I. Llene el tanque de agua (no se requiere para cortar tubo de plástico) y fíjelo a la Guarda de la hoja**

El agua se usa para ayudar a enfriar las hojas de diamante al cortar tubos de hierro colado, hierro dúctil o de arcilla. A temperaturas bajas se puede aplicar un calor poco intenso al tanque de agua, o se puede agregar al agua un anticongelante no tóxico y seguro para el medio ambiente.

**IV. OPERACIÓN**

**A. Coloque la hoja de corte**

1. Afloje la perilla de seguro de la guarda de la hoja hasta que la guarda oscilante descansa en el tubo.
2. Gire en sentido horario la perilla de alimentación del cortatubos. (Fig. 4) Haga bajar el motor y el cortatubos para que estén cerca del tubo, pero sin tocarlo. La perilla de seguro del soporte del motor deberá quedar apretada, pero permitir que el soporte se deslice.

**B. Presurice el tanque de agua siguiendo las instrucciones que vienen con el tanque**

Abra la válvula del tanque. Siga represurizando el tanque durante el uso.

**En la siguiente página hay instrucciones especiales para el corte de Tubo de acero y Tubo de PE.**

**C. Arranque el motor**

Después de asegurarse que la línea de aire esté limpia de toda tierra o suciedad, conecte la manguera de aire al motor. Abra la válvula de espera del motor.

**ADVERTENCIA: Ahora la hoja está girando; aleje las manos.**

**D. Alimente lentamente la hoja dentro del tubo.**

Nota: Si se alimenta rápido se puede perder el seguimiento.

1. Advierta la posición del apuntador calibrador de profundidad (dividido en décimos de pulgada con referencias milimétricas). (Foto #3)
- 2.\* Conociendo el espesor del tubo que va a cortar, gire la perilla de alimentación en sentido horario, (Fig. 4) hasta que el apuntador indique que el cortatubos está a la profundidad deseada. Permita cuando menos ¼" de hoja más allá de la profundidad del corte.

\*La excepción a esto sería si el cortador de bisel se estuviera usando en plástico, entonces el cortador se accionaría hasta que el cortador de bisel comenzara a cortar. En este punto el apuntador calibrador de profundidad se podría usar para determinar la cantidad de bisel. Un accionamiento a fondo produce un bisel de 15/16" . (Fig. 4)

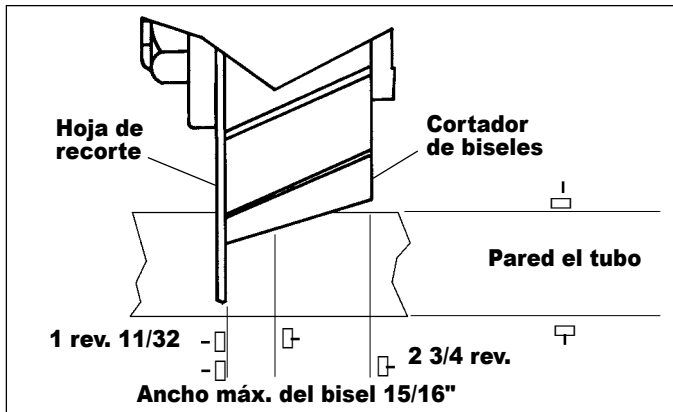


FIG. 6

3. Apriete la perilla de seguro del soporte del motor (Fig. 4)
4. Apriete la perilla de seguro de la guarda de la hoja aproximadamente a 1/8" del tubo (Fig. 4)
5. Gire la unidad en la dirección de la flecha ubicada arriba del soporte del motor.
6. Separe las cuñas a 9-12 pulgadas.
7. La unidad corta bajo el agua, sin embargo, si se estanca gírela de regreso sobre su corte y extraiga el agua antes de volver a cortar.
8. Al biselar tubo de plástico, debe traslapar los puntos de inicio y fin del corte para asegurarse que el bisel quede completo.
9. Si la hoja se pellizca al cortar:
  - a. Desconecte la línea de suministro de aire de la unidad.
  - b. Abra la válvula de esfera para asegurar que el motor se drene por completo.
  - c. Retire la guarda de la hoja.
  - d. Retire la contratuerca, brida del husillo.
  - e. Desconecte la cadena.
  - f. Jale la unidad del motor para sacarla de la hoja.
  - g. Eleve el tubo para retirar la hoja del tubo. Inspeccione la hoja en busca de daños.
10. Si el motor no se va a volver a usar ese mismo día, abra la válvula de esfera, vierta aproximadamente una cucharadita de aceite de línea neumática en el puerto de entrada de aire y cierre la válvula de esfera.

### Para ser usado en Tubo de acero:

Al usar el cortatubos universal UPC se producirán chispas, no importa si se usa agua o no. Es más fácil hacer el corte sin agua porque las virutas tienden a caer lejos del área de trabajo. Sin embargo, usar agua reduce la cantidad de chispas.

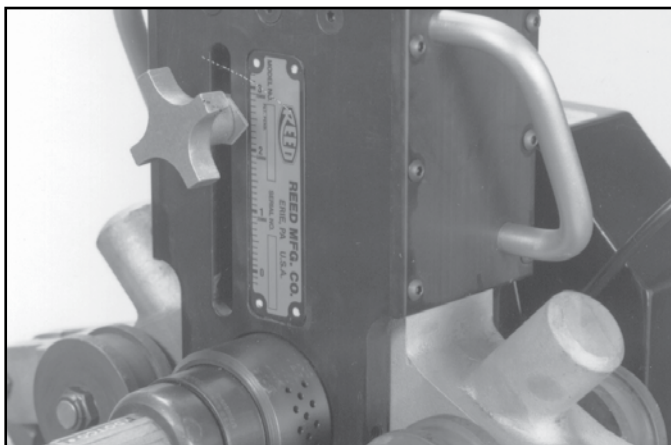
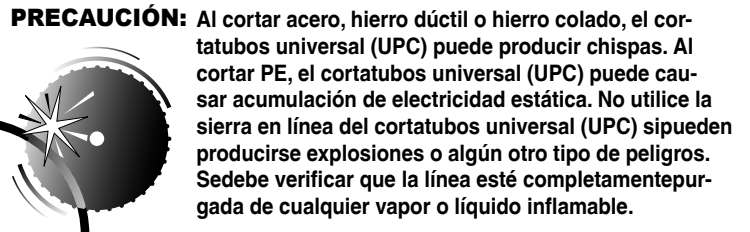


FOTO 3

El agua mantiene la hoja más fría, pero hace que las chispas se acumulen en el espacio de corte de la hoja. Esto hace que la hoja trabaje más, porque puede "volver a cortar" las mismas virutas que caen en el espacio de trabajo.

### Para su uso en PE:

Para PE es un corte 100% en seco. Gire el cuello de salida en la parte posterior del cortatubos UPC hacia arriba, de manera que la salida sople directamente hacia arriba y no sobre el tubo. Use una manguera nueva del compresor al FRL y una manguera nueva del FRL al cortatubos UPC propiamente dicho. Usar una manguera nueva puede reducir significativamente el aceite que mana. Los usuarios también deben limpiar con un trapo el cuello de salida con regularidad para que no se acumule aceite ni gotee.



**PRECAUCIÓN:** Al cortar acero, hierro dúctil o hierro colado, el cortatubos universal (UPC) puede producir chispas. Al cortar PE, el cortatubos universal (UPC) puede causar acumulación de electricidad estática. No utilice la sierra en línea del cortatubos universal (UPC) si pueden producirse explosiones o algún otro tipo de peligros. Sedebe verificar que la línea esté completamente purgada de cualquier vapor o líquido inflamable.

## V. MANTENIMIENTO

### A. Motor

1. Lubricación: Engrase los engranajes planetarios al final de cada día de uso con grasa para engranes y la pistola de grasa suministrada. (Se recomienda usar grasa para herramientas APEX Tool Group Núm. 45-0983). Un orificio de 1/4" al frente del cuello de salida del motor revela una conexión para grasa. La conexión debe apuntar hacia arriba cuando se voltea de cabeza la unidad del motor. Consulte el boletín de Servicio UPC #50498. El motor también se debe aceitar antes y después de cada uso diario (Secc. IV, D. Punto 10).
2. Servicio: Consulte el aviso de servicio en la parte inferior de la tapa de la caja transportadora.

**Nota: Si tiene problemas con el motor (es decir, fugas, pérdida de potencia, etc.) no lo desarme. Esto invalidará la garantía del motor. Envíelo de regreso a Reed Manufacturing para su servicio.**

### B. Cuando no se use la unidad, cubra el Puerto de aire con una conexión de cubierta

### C. Afile las hojas de diamante

1. Revise el boletín de Servicio UPC #50498.

### D. Si la hoja de carburo abrasivo se llena, límpiela.

1. Use un cepillo de alambre o un solvente adecuado.
2. Para prolongar la vida de la hoja se puede invertir su dirección.

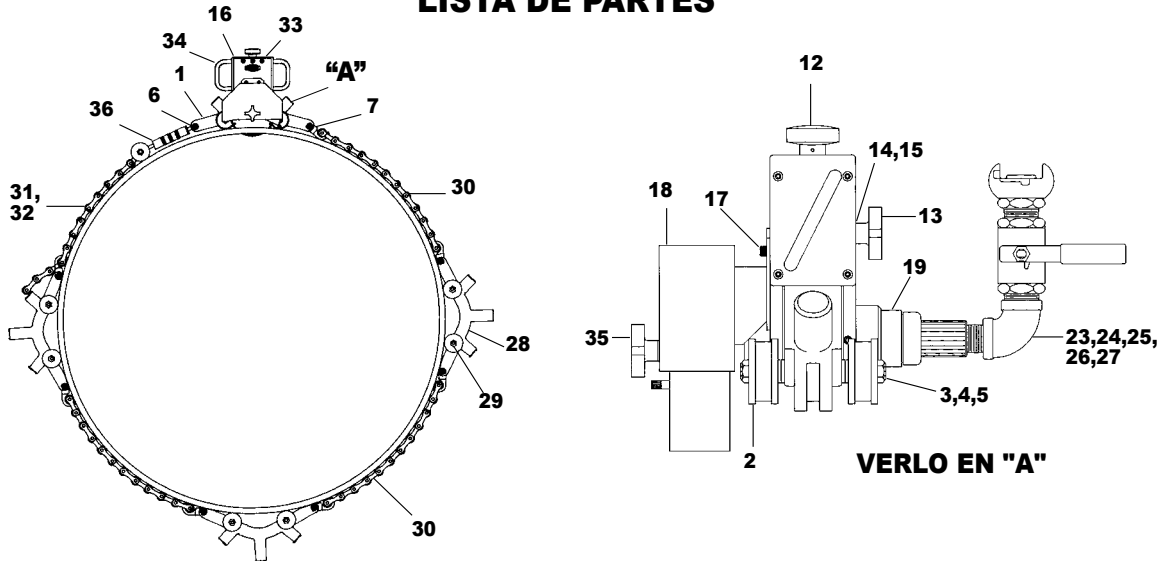
### E. Afile las hojas/biseladora del cortatubos para acero/PE

Debe hacerlo un servicio profesional para herramientas de desbaste.

### F. Lubrique ocasionalmente los pasadores de liberación, los eslabones de cadena, el tornillo de la armadura principal, los pasadores de rodillo y el conjunto del tensor con lubricante repelente al agua (WD-40 o equivalente).

WD-40 es una marca registrada de WD-40 Company.

## LISTA DE PARTES



Núm. de Parte	DESCRIPCIÓN	UPC616A		UPC636A		UPC648A		UPC836APE		UPC848APE	
		CANT.	Núm. de Catálogo	CANT.	Núm. de Catálogo	CANT.	Núm. de Catálogo	CANT.	Núm. de Catálogo	CANT.	Núm. de Catálogo
1	CONJUNTO DE ARMADURA DE MOTOR*	1	97067	1	97067	1	97067	1	97067	1	97067
2	RODILLOS, ARMADURA DE MOTOR, JUEGO	4	97541	4	97541	4	97541	4	97541	4	97541
3	PASADOR DE RODILLO	2	97542	2	97542	2	97542	2	97542	2	97542
4	CONTRATUERCAS, PASADOR DE RODILLO	4	97543	4	97543	4	97543	4	97543	4	97543
5	TORNILLOS DE AJUSTE, PASADOR DE RODILLO	4	97544	4	97544	4	97544	4	97544	4	97544
6	PASADOR DE LIBERACIÓN	2	94477	6	97545	8	97545	6	97545	8	97545
7	GANCHO DE CADENA	1	97546	5	97546	7	97546	5	97546	7	97546
8	TORNILLO DE ALIMENTACIÓN	1	97547	1	97547	1	97547	1	97547	1	97547
9	MANGUITO, TORNILLO DE ALIMENTACIÓN	1	97548	1	97548	1	97548	1	97548	1	97548
10	TORNILLO DE AJUSTE, CUELLO	2	40083	2	40083	2	40083	2	40083	2	40083
11	CUELLO	1	93140	1	93140	1	93140	1	93140	1	93140
12	PERILLA, DE ALIMENTACIÓN	1	97551	1	97551	1	97551	1	97551	1	97551
13	PERILLA, SEGURO DEL MOTOR	1	97552	1	97552	1	97552	1	97552	1	97552
14	ARANDELA, NAILON	1	97553	1	97553	1	97553	1	97553	1	97553
15	INDICADOR	1	97554	1	97554	1	97554	1	97554	1	97554
16	SOPORTE DEL MOTOR CONJUNTO	1	97555	1	97555	1	97555	1	97555	1	97555
17	TORNILLOS, GUARDE DE HOJA	2	30004	2	30004	2	30004	N/D		N/D	
18	CONJUNTO DE GUARDA DE HOJA	1	97559	1	97559	1	97559	1	07509	1	07509
19	MOTOR, AIRE 1.7 HP	1	97560	1	97560	1	97560	1	97560	1	97560
20	HUSILLO, ESTÁNDAR	1	97617	1	97617	1	97617	1	97617	1	97617
21	BRIDA	1	97066	1	97066	1	97066	1	97066	1	97066
22	CONTRATUERCA, HUSILLO	1	97543	1	97543	1	97543	1	97543	1	97543
23	BOQUILLA 1/2	1	97564	1	97564	1	97564	1	97564	1	97564
24	REDUCCIÓN DE CODO 1/2 X 3/4	1	97565	1	97565	1	97565	1	97565	1	97565
25	VÁLVULA DE ESFERA 3/4	1	97566	1	97566	1	97566	1	97566	1	97566
26	COPE	1	97567	1	97567	1	97567	1	97567	1	97567
27	TAPÓN DE EXTREMO	1	97568	1	97568	1	97568	1	97568	1	97568
28	CONEXIÓN DEL CONJUNTO DE ARMADURA	N/D		2	04481	3	04481	2	04481	3	04481
29	RODILLOS, CONEXIÓN ENTRE LA ARMADURA Y EL JUEGO DE CONTRATUERCAS	N/D		4	97570	4	97570	4	97570	4	97570
30	CADENA, CONJUNTO DE 11 ESLABONES	N/D		2	97572	3	97572	2	97572	3	97572
31	CADENA, CONJUNTO DE 13 ESLABONES	N/D		1	97573	1	97573	1	97573	1	97573
32	CADENA, CONJUNTO DE 19 ESLABONES	1	97576	N/D		N/D		N/D		N/D	
33	ETIQUETA, ADVERTENCIA	1	97574	1	97574	1	97574	1	97574	1	97574
34	ETIQUETA, FLECHA	1	97575	1	97575	1	97575	1	97575	1	97575
35	CONJUNTO DE PERILLA Y TORNILLO	1	97578	1	97578	1	97578	1	97578	1	97578
36	CONJUNTO DE CADENA/TENSOR	1	97580	1	97579	1	97579	1	97579	1	97579
37	TANQUE DE AGUA	1	40177	1	40159	1	40159	N/D		N/D	
38	SISTEMA DE AGUA, MANGUERA CON CONEXIONES	1	97581	1	97581	1	97581	N/D		N/D	
39	ASA, DE ALUMINIO 12"	1	97582	1	97582	1	97582	1	97582	1	97582
40	ACEITE LUBRICANTE, 1/4 GAL (MOTOR NEUMÁTICO)	1	97583	1	97583	1	97583	1	97583	1	97583
41	FILTRO-REGUL-LUBRICADOR C/BASE	1	97591	1	97591	1	97591	1	97591	1	97591
42	JUEGO DE LLAVES HEXAGONALES	1	40156	1	40156	1	40156	1	40156	1	40156
43	CAJA TRANSPORTADORA	1	40384	1	97586	1	97586	1	97586	1	97586
44	PISTOLA DE GRASA	1	97587	1	97587	1	97587	1	97587	1	97587
45	TUBO DE GRASA	1	97588	1	97588	1	97588	1	97588	1	97588
46	CUÑAS, CAJA #8010	1	97589	1	97589	1	97589	1	97589	1	97589
47	LLAVE, 3/4 X 7/8	2	97590	2	97590	2	97590	2	97590	2	97590
48*	AFILADOR (HOJA DE DIAMANTE)		97595		97595		97595	N/D		N/D	
49*	HUSILLO, LARGO (USO CON BISEL)		97561		97561		97561	N/D		N/D	
50*	KIT DE RECONSTRUCCIÓN DEL FILTRO DE AIRE		47506		47506		47506		47506		47506
51	HOJA 6" PE*	N/D		N/D		N/D		1	97520	1	97520
52	HOJA 8" PE*	N/D		N/D		N/D		1	97521	1	97521
53	CORTADOR DE BISELES DE PVC*		97511		97511		97511	N/D		N/D	

ÁREA SOMBRADA - NO SE ILUSTRARÁ \*NO ESTÁNDAR



# — TABLE DES MANTIÈRES —

<p><b>I. MESURES DE SÉCURITÉ ET AVERTISSEMENTS</b> 2</p> <p><b>II. DESCRIPTION/CAPACITÉS</b> 2, 3</p> <p><b>III. MONTAGE</b> 3, 4, 5</p>	<p><b>IV. FONCTIONNEMENT</b> 5, 6</p> <p><b>V. ENTRETIEN</b> 6</p> <p><b>VI. LISTE DES PIÈCES DE RECHANGE</b> 7</p>
--	---

## I. MESURES DE SÉCURITÉ ET AVERTISSEMENTS

### A. Veiller à toujours respecter les normes suivantes :

1. Règlements de sécurité et d'hygiène pour l'industrie générale, émis par l'OSHA.
2. Spécifications de l'ABSU no B186.1, B7.
3. Réglementations locales et nationales.

### B. Forme abrégée de ces réglementations :

Ces réglementations ne sont pas toutes globales. Étudier et respecter toutes les réglementations reprises ci-dessus.

1. Vérifier la vitesse de l'outil de coupe avant de la monter.
2. Utiliser un tachomètre  
La vitesse effective ne peut pas être supérieure à la vitesse nominale.
3. Vérifier la vitesse :
  - a. Quand un outil est fourni en vue d'une utilisation.
  - b. Après toute réparation de l'outil.
4. Utiliser uniquement les outils dans les applications pour lesquelles ils ont été prévus.
5. Les outils doivent être testés et utilisés à une pression maximale de 90 PSIG sauf si une marque sur l'outil indique une autre pression.
6. Utiliser le matériel recommandé pour la conduite d'air  
Il s'agit des filtres, des détendeurs et des lubrificateurs.
7. Arrêter immédiatement en cas de :
  - a. Bruit inhabituel
  - b. Manifestation de vibrations inhabituelles (consulter la section III afin de confirmer que le montage a été correctement réalisé).
8. Vérifier la vitesse nominale de la lame.  
Elle doit être égale ou supérieure à la vitesse nominale du moteur pneumatique.
9. Monter la lame conformément aux réglementations. Consulter les sections IIIA - IIIB.
10. Vérifier la lame
  - a. Consulter les réglementations reprises ci-dessus. (Section 1A)
  - b. Mettre la lame au rebut si elle est émoussée, fêlée ou endommagée de quelle que manière que se soit.
11. Monter un protège-lame adéquat
  - a. Consulter la section IIIC.
  - b. Exemple d'étiquette d'avertissement :

## WARNING / ADVERTENCIA

**HIGH SPEED ROTATING BLADE**  
Can cause severe personal injury. Keep hands clear of blade while saw is running.  
**DO NOT** operate this unit without blade guard in place.

**HOJA GIRATORIA DE ALTA VELOCIDAD**  
Puede causar lesiones personales graves. Aleje las manos de la hoja cuando la sierra esté en funcionamiento.  
**NO opere** esta unidad si la guarda de la hoja no está en su lugar.



**DO NOT** use this cutter on AC pipe or FRP (GRP) pipe. Free asbestos fibers and/or fiberglass fibers may be hazardous to your health.

**NO use** este cortador en tuberías de asbesto o tuberías reforzadas con fibra de vidrio. Las fibras de asbesto y/o de fibra de vidrio que se desprenden y vuelan libres pueden ser peligrosas para su salud.

Reed Manufacturing, Erie, PA USA www.reedmfgco.com

### AVERTISSEMENT

#### LAME HAUTE VITESSE DE ROTATION

Peut entraîner de graves blessures. Garder les mains éloignées de la lame lorsque la scie est en marche.

NE PAS utiliser cet appareil sans le protège-lame en place.

NE PAS utiliser ce couteau sur un tuyau d'AC ou de FRP (GRP). Les fibres d'amiante libres et/ou les fibres de verre peuvent être dangereuses pour votre santé.

12. Toujours porter un équipement de protection lorsque l'outil est en marche.
  - a. Consulter les réglementations citées ci-dessus (section 1A) pour en savoir plus sur les lunettes, les écrans de protection faciale et autres vêtements de protection.
  - b. Il convient de porter un protecteur auditif afin de réduire le bruit à un niveau acceptable.
13. Utiliser un programme de sécurité  
Consulter les recommandations de l'ANSI et de l'OSHA pour les procédures de vérification et d'entretien.

**AVERTISSEMENT : Le non-respect de l'ensemble des règles de sécurité peut provoquer des blessures graves.**

## II. DESCRIPTION

### A. Modèle de coupe-tube : UPC 616A, 616AP, 636A, 648A, 836APE et 848APE

**REMARQUE : Les modèles UPC836APE et UPC848APE sont spécifiquement conçus pour une utilisation sur tuyau PE (polyéthylène haute densité). Avec une lame de plus grand diamètre (8 po de diamètre), ils peuvent couper un tuyau PE d'une épaisseur pouvant aller jusqu'à 69 mm (2,65 po). Ils peuvent également être utilisés sur des tuyaux en plastique PVC lorsqu'ils sont équipés d'une lame en PVC. Les modèles UPC836APE et UPC848APE ne viennent pas avec un système d'eau sous pression et ne peuvent pas être utilisés sur des tuyaux nécessitant une lame refroidie à l'eau, comme la fonte, la fonte coulée, la fonte ductile, l'argile ou le béton.**

### B. Caractéristiques techniques du moteur :

Puissance générée par l'UPC = 1,7 C. V. (1,3 kW)  
Régime maximum = 3 675  
Consommation d'air = 50 pieds cubes/min. (1,4 m<sup>3</sup>/min.)  
Pression = 90 P.S.I. maximum (6 bars)  
Arrêt = clapet à bille de % po  
Raccords pour l'alimentation en air = coupleur Dixon « Air King » de 3/4 po

### C. Plage de coupe de tuyaux :

UPC616A	6 à 16 po nominaux (150 à 450 d. ext. mm)
UPC636A	6 à 36 po nominaux (150 à 1 000 d. ext. mm)
UPC648A	6 à 48 po nominaux (150 à 1 300 d. ext. mm)
UPC836APE	tuyau en PE de 8 à 36 po nominaux UNIQUEMENT (200 - 1 000 d. ext. mm)
UPC848APE	tuyau en PE de 8 à 48 po nominaux UNIQUEMENT (200 - 1 300 d. ext. mm)

### D. Biseautage :

Le biseau est défini par la fraise d'angle utilisée.

Disponible sur commande.

### E. Profondeur de coupe maximale

Lame de 4 po = 23/32 po (18,3 mm)
Lame de 6 po = 1 23/32 po (43,6 mm)
Lame de 4 po en acier = 1/2 po (12,7 mm)
Lame de 6 po en acier = 1/2 po (12,7 mm)
Lame de 8 po en PE = 2 23/32 po (69 mm)

### F. Équipement standard

Équipement standard	UPC616A	UPC636A	UPC648A	UPC836APE	UPC848APE
Coupe-tube motorisé avec moteur 1,7 C. V.	OUI	OUI	OUI	OUI	OUI
Chaîne/Tendeur	OUI	OUI	OUI	OUI	OUI
	coupe jusqu'à				
Connexion de cadres et chaîne à couper jusqu'à	NON	36 po	48 po	36 po	48 po
Filtre/Régulateur/Lubrificateur avec support	OUI	OUI	OUI	OUI	OUI
Réservoir d'eau	3 gallons	6 gallons avec panier	6 gallons avec panier	NON	NON
Étui de transport	OUI	OUI	OUI	OUI	OUI
Huile pour conduit d'air	OUI	OUI	OUI	OUI	OUI
Pistolet graisseur avec graisse pour engrenages	OUI	OUI	OUI	OUI	OUI
Jeu de clés hexagonales	OUI	OUI	OUI	OUI	OUI
Clés à extrémités ouvertes	OUI	OUI	OUI	OUI	OUI
Cales	OUI	OUI	OUI	OUI	OUI
Lame UPCSTEEL6 de 6 po	NON	NON	NON	OUI	OUI
Lame UPCPE8 de 8 po	NON	NON	NON	OUI	OUI

### G. Accessoires en option/Lames

Utilisez le TABLEAU DE SÉLECTION DE LAMES pour choisir la lame adaptée à l'application. (voir ci-dessous)

### H. Équipement auxiliaire requis :

Compresseur d'air capable de résister à 50 SCFM à 90 psi.  
Tuyaux dotés de raccords compatibles. En cas d'utilisation de raccords différents de ceux fournis avec le moteur, il devra s'agir de raccord à orifice de passage intégral afin de maximiser le régime moteur.

## III. MONTAGE

### A. Installation de la lame

1. Choisissez une lame dans le tableau ci-après.
2. Installez les lames.

TABLEAU DE SÉLECTION DE LAMES					
No du catalogue	Code d'article	Description	Diamètre du tuyau	Matériel du tuyau	
UPCARB4	97510	Les LAMES de 4 po coupent jusqu'à une épaisseur de 18,3 mm (23/32 po).	6" (150 mm)	PVC	
UPCBPVC*	97511	Coupe-tuyau en biseau pour PVC	6" - 48" (150-1300 mm)	PVC	
UPCARB6	97514	Les LAMES de 6 po coupent jusqu'à une épaisseur de 43,7 mm (1 23/32 po).	8" - 48" (200-1300 mm)	PVC	
UPCSTEEL4	97519	Les LAMES de 4 po coupent jusqu'à une épaisseur de 12,7 mm (1/2 po).	6" - 8" (150-200 mm)	Acier	
		Les LAMES de 4 po coupent jusqu'à une épaisseur de 18,3 mm (23/32 po).	6" - 8" (150-200 mm)	PE	
UPCSTEEL6	97520	Les LAMES de 6 po coupent jusqu'à une épaisseur de 12,7 mm (1/2 po).	8" - 48" (200-1300 mm)	Acier	
		Les LAMES de 6 po coupent jusqu'à une épaisseur de 43,7 mm (1 23/32 po).	8" - 48" (200-1300 mm)	PE	
UPCPE8**	97521	Les LAMES de 8 po coupent jusqu'à une épaisseur de 69 mm (2 23/32 po).	26" - 48" (660-1300 mm)	PE	
UPCDIA4	97529	Les LAMES de 4 po coupent jusqu'à une épaisseur de 18,3 mm (23/32 po).	6" - 8" (150 - 200 mm)	Fonte, fonte coulée, fonte ductile, argile, béton	
UPCDIA6	97525	Les LAMES de 6 po coupent jusqu'à une épaisseur de 43,7 mm (1 23/32 po).	8" - 48" (200-1300 mm)	Fonte, fonte coulée, fonte ductile, argile, béton	

\*\* Utilisé avec les lames UPCARB4 ou UPCARB6. Un long arbre no 97561 est nécessaire, car ce coupe-tuyau en biseau a une épaisseur de lame.

\*\* Cette lame ne fonctionne qu'avec les modèles UPC836 et UPC848.

- a. Arbre standard - Installez la lame sur l'épaule d'arbre de 5/8 de diamètre (Fig. 2). Installez le collet, face allégée tournée vers la lame et vissez le contre-écrou. Tout en maintenant une clé (fournie) sur le plat de l'arbre de © 7/8, serrez le contre-écrou. La lame doit être complètement contre l'épaule d'arbre et de niveau sur la face de l'arbre.

NOTE: Pour couper uniquement du PVC, sans biseau, utilisez l'arbre standard no 97617 livrée installée avec l'unité..

- b. Arbre long pour découpe et biseautage de PVC

Pour découper et biseauter en même temps, installez le couteau biseauté (petit bord vers le moteur) sur le long arbre no 97561. Ensuite, installez la lame choisie sur l'épaule d'arbre de 5/8 de diamètre (Fig. 3). Installez le collet, face allégée tournée vers la lame et vissez le contre-écrou. Tout en maintenant une clé (fournie) sur le plat de l'arbre de 7/8, serrez le contre-écrou d'arbre à l'aide de la clé 3/4 po (fournie). La lame doit reposer entièrement sur l'épaule de l'arbre et affleurer contre le couteau biseauté. *Pour de plus amples détails, consultez la Fig. 7 à la page 21 - Configuration pour découper et biseauter du PVC.*

- c. Guide de profondeur pour chanfrein :

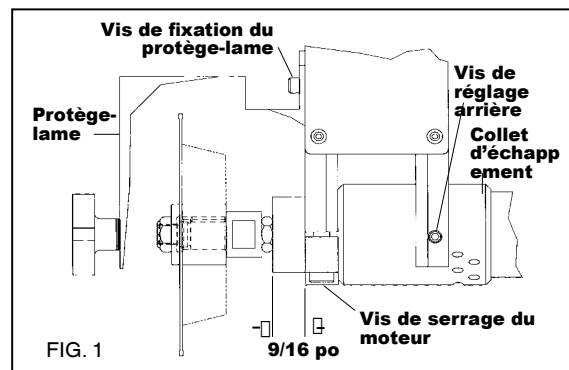
Lame de 6 po - enfoncez 1,7 po de plus au contact de la lame  
Lame de 4 po - enfoncez 1,1 po de plus au contact de la lame

REMARQUE : La longévité de la lame dépend des intempéries, du type et du diamètre du tuyau et des traitements externes appliqués au tuyau..

ATTENTION : Le moteur pneumatique tourne dans le sens contraire des aiguilles d'une montre vu depuis l'extrémité de l'arbre. Les lames marquées par une flèche de sens de rotation doivent être installées de telle sorte qu'elles tournent dans le sens contraire des aiguilles d'une montre.

### B. Installation des couteaux biseautés (Fig. 1) en option

1. Vérifiez que le moteur est bien serré en serrant les vis de serrage (2) sur la partie inférieure de l'appareil. (Fig. 1)



- Faites tourner le collet d'échappement jusqu'à ce que les orifices soient orientés vers le bas. Placez les vis de réglage arrière (2) de telle sorte qu'ils touchent légèrement le collet d'échappement. Serrer la vis de réglage arrière endommagera le moteur et pliera le support de moteur.
- Retirez le protège-lame en desserrant 2 vis en haut du protège-lame. (Fig.1)
- Retirez le contre-écrou et la rondelle de bride et toute lame de l'arbre. (Fig. 7 à la page 21)

### AVERTISSEMENT :

**Ne pas utiliser cet appareil sans le protège-lame.**

**C. Réinstallez le protège-lame et serrez les vis de fixation.**

**D. Choisissez la chaîne et les structures de connexion correspondant au diamètre extérieur du tuyau.**

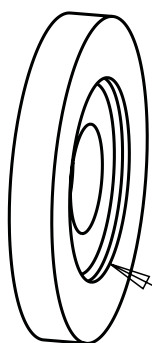
REMARQUE : Le modèle UPC616 utilise un châssis moteur et un ensemble de chaîne à 19 maillons/tendeur.

### E. Montage de l'outil sur le tuyau

- Desserrez la molette de verrouillage de support du moteur. (Fig. 4)
- Tirez le support de moteur le plus possible vers le haut en faisant tourner la molette d'alimentation dans le sens contraire des aiguilles d'une montre. (Fig. 4)
- Raccordez l'ensemble de chaîne de 13 maillons, et de tendeur au moteur avec une goupille de déverrouillage. Étendre le tendeur dans la position la plus externe. (Fig. 5)
- Raccordez le crochet de chaîne avec la goupille de déverrouillage à l'autre côté du moteur. Montez le crochet en position orientée vers le haut..



PHOTO NO 1



Détail de la **rondelle de bride** des Fig. 2 et 3 à droite.

Position soulagée côté vers la lame.



PHOTO NO 2

DIAMÈTRE NOMINAL DES TUYAUX	CHÂSSIS MOTEUR	ENSEMBLE DE CHAÎNE À 13 MAILLONS AVEC TENDEUR	ENSEMBLE DE CHAÎNE À 11 MAILLONS	STRUCTURE DE CONNEXION
6 – 12 PO.	1	1	—	—
14 – 26 PO.	1	1	1	1
28 – 36 PO.	1	1	2	2
40 – 48 PO.	1	1	3	3

- Placez l'appareil sur le tuyau en veillant à bien maintenir le groupe moteur pendant l'enroulage de la chaîne en vue de fixer le crochet au châssis moteur (photo no 2). Serrez le tendeur de telle sorte que l'outil soit bien fixé tout en pouvant toujours tourner (photo no 2). Montez toujours l'outil de coupe sur la partie du tuyau qui ne va pas être enlevée..

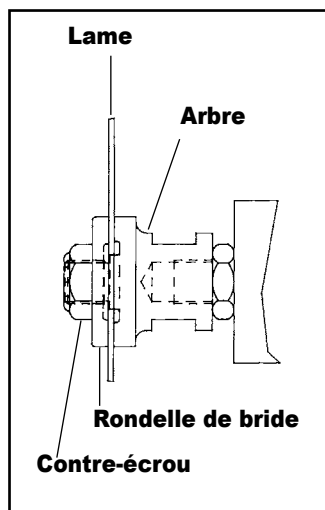


FIG. 2

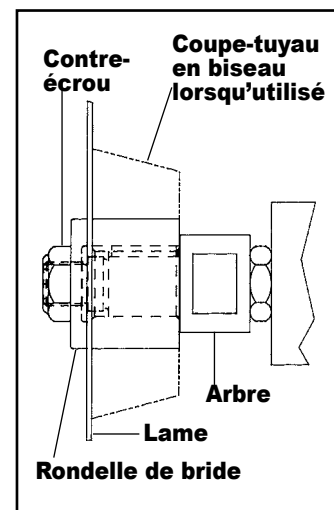


FIG. 3

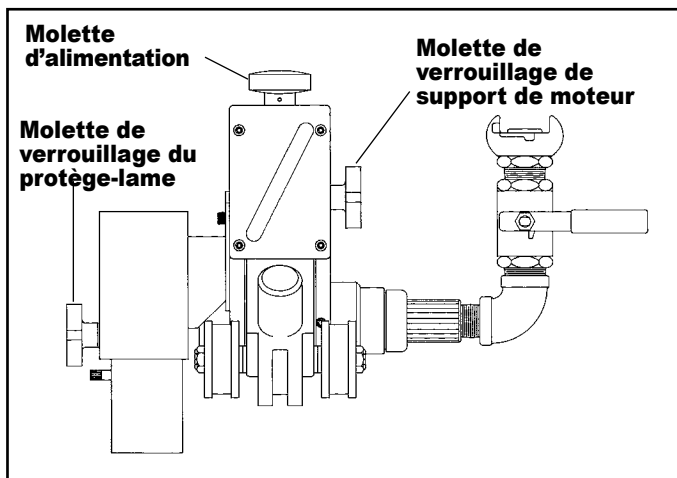


FIG. 4

6. En cas de découpe d'un tuyau qui requiert des structures de fixation et des chaînes à 11 maillons (UPC636 et UPC648), montez au préalable les crochets de chaîne sur les structures de fixation en aluminium, crochets orientés vers le bas. Revenez à l'étape 5 en veillant à placer les structures de connexion à une **distance égale** du groupe moteur. (Fig. 5)

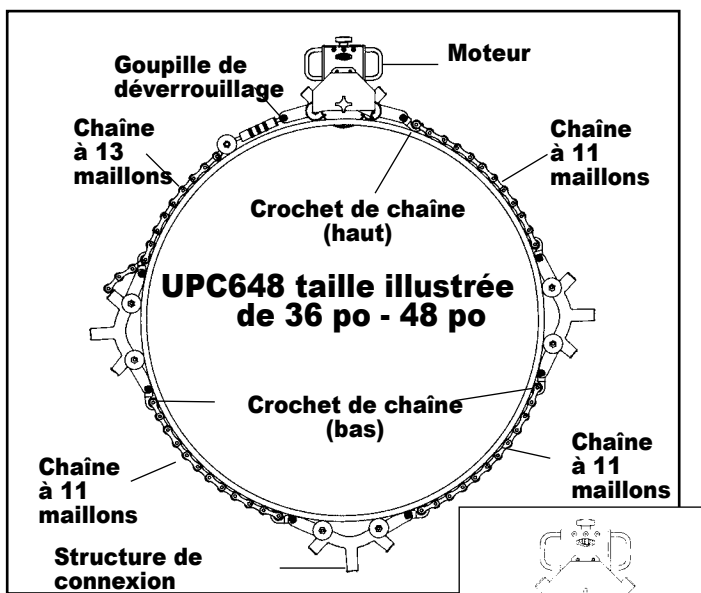


FIG. 5

#### F. Alignement du coupeur (essai de repérage)

Tournez l'unité autour du tuyau (une révolution). Pour vérifier l'exactitude du repérage, marquez le tuyau à l'un des rouleaux du bloc moteur et faites tourner l'appareil à nouveau; notez l'état de la voie. En tapant ou en réinitialisant la chaîne et/ou en raccordant les cadres, l'unité peut être alignée.

#### G. Connect Air Supply

L'outil peut être livré avec des raccords Street EII, des clapets à bille et des raccords Dixon. Toutefois, n'importe quelle combinaison de tuyaux peut être raccordée à l'outil pour autant que les raccords soient à passage intégral pour garantir le régime moteur maximal. Branchez toujours sur le côté air chaud du compresseur si équipé. Ceci garantira les meilleures performances de l'outil.

#### H. Ajustement du filtre, du détendeur et du lubrificateur

Remarque : Le filtre, le détendeur et le lubrificateur doivent être absolument utilisés avec l'UPC pneumatique. L'air doit être propre, sec et lubrifié afin de maximiser la durée de vie et les performances du moteur.

1. Avant la mise sous pression, remplir l'huileur avec l'huile fournie en enlevant le grand bouchon noir en haut. (Ne pas dépasser la limite de remplissage maximale) Remettez le bouchon.
2. Réglez la pression d'air à un maximum de 90 PSI. Desserrez l'écou à oreilles sur la partie inférieure du détendeur et faire tourner le grand bouton dans le sens des aiguilles d'une montre jusqu'à ce que la pression soit atteinte.
3. Tournez la petite vis de réglage pour régler le débit d'huile. Ce dernier doit être de 5 à 6 gouttes par minute.

#### I. Remplissage du réservoir d'eau (non requis pour la découpe de tuyau en plastique) et fixation au protégé-lame

L'eau refroidit les lames en diamant lors de la découpe de tuyaux en fonte, en fonte ductile ou en grès. Par temps froid, le réservoir d'eau peut être légèrement chauffé ou il est permis d'ajouter à l'eau une solution antigel non toxique et non nocive pour l'environnement.

### IV. FONCTIONNEMENT

#### A. Positionnement de la lame

1. Desserrez la vis de verrouillage du protégé-lame jusqu'à ce que le carter pivotant repose sur le tuyau.
2. Tournez la molette d'alimentation de l'outil de coupe dans le sens des aiguilles d'une montre. (Fig.4) Abaissez le moteur et l'outil de coupe vers le tuyau sans toutefois toucher celui-ci. La molette de verrouillage du support de moteur doit être serrée, mais le support doit pouvoir toujours glisser..

#### B. Pressurisation du réservoir d'eau conformément aux instructions fournies avec le réservoir

Ouvrez la soupape sur le réservoir. Continuez à repressuriser le réservoir pendant l'utilisation..

**Instructions particulières à la page suivante pour la découpe des tuyaux en acier et PE**

#### C. Allumage du moteur

Après avoir vérifié que la conduite d'air ne contient ni saleté ni débris, branchez le flexible d'air sur le moteur. Ouvrez le clapet à bille du moteur.

#### AVERTISSEMENT : La lame est désormais en mouvement. Éloignez les mains.

#### D. Amenez progressivement la lame sur le tuyau.

Remarque : Une pression trop rapide de la lame peut dévier la trajectoire..

1. Prenez note de la position de l'indicateur sur la jauge de profondeur (graduée en dixièmes de pouce avec références en mm). (Photo no 3)
- 2.\* Vérifiez l'épaisseur de la paroi du tuyau à couper puis faites tourner la molette d'alimentation (fig. 4) jusqu'à ce que l'indicateur pointe sur la profondeur souhaitée pour l'outil de coupe. Prévoyez au moins ¼ po de lame au-delà de la profondeur de coupe.

\*L'unique exception implique l'utilisation du coupe-tuyau en biseau avec de tuyaux en plastique où l'outil de coupe doit être engagé jusqu'à ce que le coupe-tuyau en biseau commence à couper. À ce point, l'indicateur de la jauge de profondeur peut être utilisé pour déterminer la quantité de biseau. L'engagement complet donne un biseau de 15/16 po. (Fig. 4)

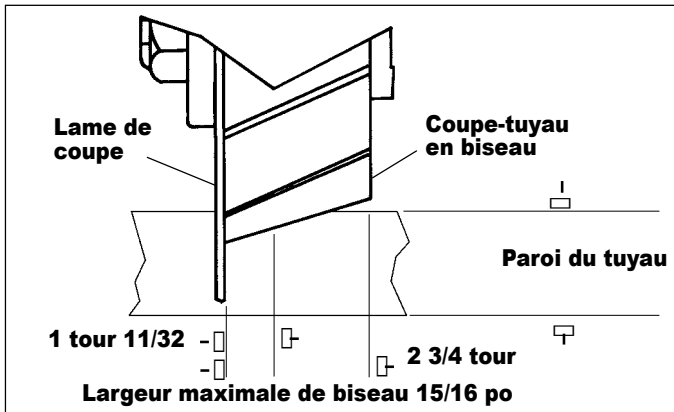


FIG. 6

3. Serrez la molette de verrouille de support du moteur. (Fig. 4)
4. Serrez la molette de verrouillage du protège-lame à environ 1/8 po du tuyau. (Fig. 4)
5. Faites tourner l'outil dans le sens de la flèche située sur la partie supérieure du support de moteur.
6. Placez les cales tous les 9 à 12 pouces.
7. L'outil coupe sous l'eau, toutefois, s'il cale, le faire revenir en arrière dans la découpe, videz l'eau et recommencez à couper.
8. En cas de biseautage d'un tuyau en plastique, les points de départ et d'arrivée doivent se chevaucher afin de garantir un biseau complet.
9. En cas de pincement de la lame pendant la coupe :
  - a. Débranchez la conduite d'alimentation en air de l'outil.
  - b. Ouvrez le clapet à bille afin de garantir la purge complète du moteur.
  - c. Retirez le protège-lame.
  - d. Retirez le contre-écrou et la flasque de l'arbre,
  - e. Détachez la chaîne.
  - f. Tirez le moteur de la lame.
  - g. Retirez la lame du tuyau en soulevant le tuyau. Recherchez d'éventuels dommages sur la lame.
10. S'il n'est pas prévu d'utiliser à nouveau le moteur au cours de la même journée, ouvrez le clapet à bille, versez le contenu d'une cuillère à café environ d'huile pour moteur pneumatique dans l'orifice d'arrivée d'air puis fermez le clapet à bille.

#### Pour une utilisation avec des tuyaux en acier :

Quand vous coupez de l'acier, l'UPC provoque des étincelles que vous utilisez de l'eau ou non. Il est plus facile de couper sans eau, car les copeaux sont éjectés de la zone de travail. Cependant, l'utilisation d'eau réduit fortement la quantité d'étincelles produites.

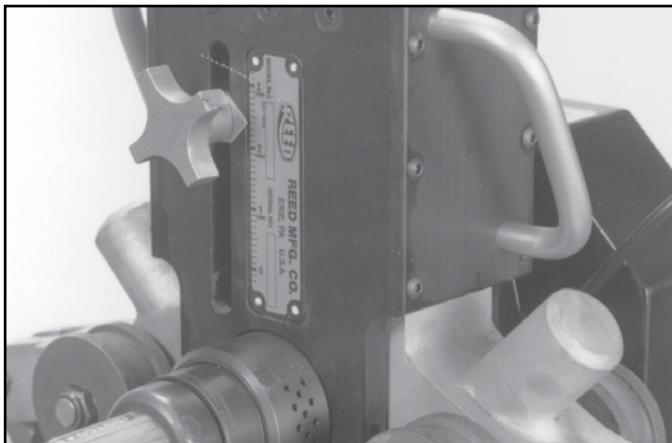



PHOTO NO 3

L'eau permet de maintenir la lame à la bonne température et peut réduire son usure. L'eau entraîne également une accumulation des copeaux dans l'espace de découpe de la lame. La lame va donc travailler davantage, car elle peut « recouper » les copeaux qui restent dans la zone de travail.

#### Pour une utilisation avec de tuyaux en PE :

La découpe se fait totalement à sec avec des tuyaux en PE. Tournez vers le haut le collet d'échappement situé à l'arrière de l'UPC afin que l'échappement parte directement vers le haut et non sur le tuyau. Utilisez un nouveau flexible entre le compresseur et le FRL (filtre-détendeur-graisseur) et un nouveau flexible entre le FRL et l'UPC. En utilisant un flexible neuf, la circulation d'huile peut être fortement réduite. Les utilisateurs doivent nettoyer régulièrement le collet d'échappement afin d'éviter une accumulation ou un égouttement de l'huile.

**ATTENTION :** Lors de la découpe de tuyaux en acier, en fonte ductile ou en fonte, l'UPC peut générer des étincelles. Quand vous coupez des tuyaux en PE, l'UPC peut entraîner une accumulation d'électricité statique. N'utilisez pas l'outil de découpe en cas de risques d'explosion potentiels ou autres situations dangereuses. Il est nécessaire de vérifier que le tuyau a été totalement purgé de tout liquide ou vapeur inflammable.



## V. ENTRETIEN

### A. Moteur

1. Graissage : Graissez les pignons planétaires après chaque journée d'utilisation à l'aide de graisse pignons et du pistolet graisseur fourni. (Recommandation : Dotco Grease No. 45-0983). Un orifice de 1/4 po à l'avant du collet d'échappement du moteur révèle un graisseur. Le graisseur doit être orienté vers le haut lorsque le moteur est renversé. Se référer au Bulletin d'entretien UPC no 50498. Le moteur doit également être huilé avant et après chaque utilisation quotidienne (Sec. IV, D. article 10).
2. Entretien : Consultez la note d'entretien sur la face inférieure du couvercle du boîtier de transport.

**Remarque : Si le moteur présente des problèmes (par ex. une fuite, perte de puissance, etc.) ne démontez pas le moteur. Cela annulerait la garantie du moteur. Retournez le moteur à Reed Manufacturing qui assurera l'entretien.**

### B. Lorsque l'outil n'est pas utilisé, recouvrez les orifices d'air avec des bouchons.

### C. Aiguisage des lames de diamant

1. Consultez le Bulletin d'entretien UPC no 50498.

### D. Nettoyez la lame à grains abrasifs si elle est chargée

1. Utilisez une brosse en fils de fer ou un solvant adéquat.
2. Le sens de la lame peut-être inversé pour une durée de vie plus longue.

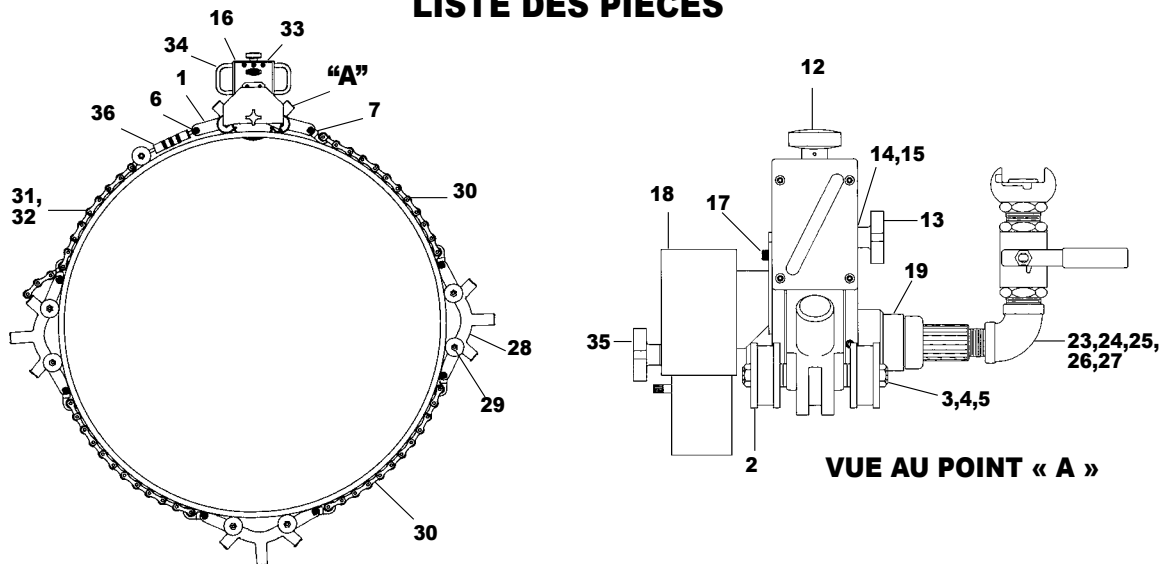
### E. Aiguisage des lames pour acier ou PE et les outils pour coupe en biseau

Cette opération doit être réalisée par un service professionnel d'affûtage d'outils.

### F. Graissez de temps à autre les goupilles, les maillons de chaîne, les vis du châssis principal, les rouleaux et l'ensemble avec un produit lubrifiant hydrophobe (WD-40 ou équivalent)

®WD-40 est une marque commerciale déposée de WD-40 Company.

# LISTE DES PIÈCES



RÉF.	DESCRIPTION	UPC616A		UPC636A		UPC648A		UPC836APE		UPC848APE	
		QTÉ	No CAT	QTÉ	No CAT	QTÉ	No CAT	QTÉ	No CAT	QTÉ	No CAT
1	ENSEMBLE DE CHÂSSIS DE MOTEUR*	1	97067	1	97067	1	97067	1	97067	1	97067
2	GALETS, CHÂSSIS DE MOTEUR, JEU	4	97541	4	97541	4	97541	4	97541	4	97541
3	AXE DE GALET	2	97542	2	97542	2	97542	2	97542	2	97542
4	CONTRE-ÉCROUS, AXE DE GALET	4	97543	4	97543	4	97543	4	97543	4	97543
5	VIS DE RÉGLAGE, AXE DE GALET	4	97544	4	97544	4	97544	4	97544	4	97544
6	GOUPILLE DE DÉVERROUILLAGE	2	94477	6	97545	8	97545	6	97545	8	97545
7	CROCHET DE CHAÎNE	1	97546	5	97546	7	97546	5	97546	7	97546
8	VIS D'ALIMENTATION	1	97547	1	97547	1	97547	1	97547	1	97547
9	GARNITURE, VIS D'ALIMENTATION	1	97548	1	97548	1	97548	1	97548	1	97548
10	VIS DE RÉGLAGE, COLLET	2	40083	2	40083	2	40083	2	40083	2	40083
11	COLLET	1	93140	1	93140	1	93140	1	93140	1	93140
12	MOLETTE, ALIMENTATION	1	97551	1	97551	1	97551	1	97551	1	97551
13	MOLETTE, VERROUILLAGE MOTEUR	1	97552	1	97552	1	97552	1	97552	1	97552
14	RONDELLE, NYLON	1	97553	1	97553	1	97553	1	97553	1	97553
15	INDICATEUR	1	97554	1	97554	1	97554	1	97554	1	97554
16	ENS. SUPPORT DE MOTEUR MONTAGE	1	97555	1	97555	1	97555	1	97555	1	97555
17	VIS, PROTÈGE-LAME	2	30004	2	30004	2	30004	S.O.		S.O.	
18	ENSEMBLE DE PROTÈGE-LAMES	1	97559	1	97559	1	97559	1	07509	1	07509
19	MOTEUR, PNEUMATIQUE 1,7 C. V.	1	97560	1	97560	1	97560	1	97560	1	97560
20	ARBRE, STANDARD	1	97617	1	97617	1	97617	1	97617	1	97617
21	FLASQUE	1	97066	1	97066	1	97066	1	97066	1	97066
22	CONTRE-ÉCROU, ARBRE	1	97543	1	97543	1	97543	1	97543	1	97543
23	MAMELON 1/2	1	97564	1	97564	1	97564	1	97564	1	97564
24	ÉL. RÉDUCTEUR 1/2 X 3/4	1	97565	1	97565	1	97565	1	97565	1	97565
25	CLAPET À BILLE 3/4	1	97566	1	97566	1	97566	1	97566	1	97566
26	COUPLEUR	1	97567	1	97567	1	97567	1	97567	1	97567
27	BOUCHON	1	97568	1	97568	1	97568	1	97568	1	97568
28	ENSEMBLE DE STRUCTURE DE	S.O.		2	04481	3	04481	2	04481	3	04481
29	GALETS, STRUCTURE DE CONNEXION	S.O.		4	97570	4	97570	4	97570	4	97570
30	ENSEMBLE DE CHAÎNE À 11 MAILLONS	S.O.		2	97572	3	97572	2	97572	3	97572
31	ENSEMBLE DE CHAÎNE À 13 MAILLONS	S.O.		1	97573	1	97573	1	97573	1	97573
32	ENSEMBLE DE CHAÎNE À 19 MAILLONS	1	97576	S.O.		S.O.		S.O.		S.O.	
33	ÉTIQUETTE, AVERTISSEMENT	1	97574	1	97574	1	97574	1	97574	1	97574
34	ÉTIQUETTE, FLÈCHE	1	97575	1	97575	1	97575	1	97575	1	97575
35	ENSEMBLE DEMOLETTE ET DE VIS	1	97578	1	97578	1	97578	1	97578	1	97578
36	ENSEMBLE DE CHAÎNE/TENDEUR	1	97580	1	97579	1	97579	1	97579	1	97579
37	RÉSERVOIR D'EAU	1	40177	1	40159	1	40159	S.O.		S.O.	
38	FLEXIBLE DE SYSTÈME D'EAU AVEC RACCORDS	1	97581	1	97581	1	97581	S.O.		S.O.	
39	POIGNÉE, ALUM. 12 PO	1	97582	1	97582	1	97582	1	97582	1	97582
40	HUILE DE LUBRIFICATION - QT. (MOTEUR PNEUMATIQUE)	1	97583	1	97583	1	97583	1	97583	1	97583
41	FILTRE-DÉT.-GRAISSEUR AVEC PIED	1	97591	1	97591	1	97591	1	97591	1	97591
42	JEU DE CLÉS ALLEN	1	40156	1	40156	1	40156	1	40156	1	40156
43	ÉTUI DE TRANSPORT	1	40384	1	97586	1	97586	1	97586	1	97586
44	PISTOLET GRAISSEUR	1	97587	1	97587	1	97587	1	97587	1	97587
45	TUBE DE GRAISSE	1	97588	1	97588	1	97588	1	97588	1	97588
46	CALES, BOÎTE NO 8010	1	97589	1	97589	1	97589	1	97589	1	97589
47	CLÉ, 3/4 X 7/8	2	97590	2	97590	2	97590	2	97590	2	97590
48*	GRAISSE EN TUBE (LAME DE DIAMANT)		97595		97595		97595	S.O.		S.O.	
49*	ARBRE LONG (UTILISÉ AVEC COUPE EN BISEAU)		97561		97561		97561	S.O.		S.O.	
50*	TROUSSE DE RECONSTRUCTION DU FILTRE À AIR		47506		47506		47506		47506		47506
51	LAME DE 6 PO POUR PE*	S.O.		S.O.		S.O.		1	97520	1	97520
52	LAME DE 8 PO POUR PE*	S.O.		S.O.		S.O.		1	97521	1	97521
53	COUPE-TUYAU EN BISEAU POUR PVC*		97511		97511		97511	S.O.		S.O.	



**Disposición del corte y biselado de PVC, Fig. 7.**  
**Configuration pour découper et biseauter le PVC, Fig. 7.**

Instalación del cortador de biseles de PVC y hoja para PVC de REED.

Installation du coupe-tuyau en biseau REED et de la lame pour PVC



Husillo largo 97561 UPCLA  
 Arbre long 97561 UPCLA



Cortador de biseles de PVC 97511  
 UPBPVC  
 Coupe-tuyau en biseau UPBPVC  
 97511 pour PVC



1. Empiece con la unidad base del motor  
 1. Commencez avec le bloc moteur de base



2. Apriete el Husillo largo sobre la unidad del motor  
 2. Serrez l'arbre sur le bloc moteur



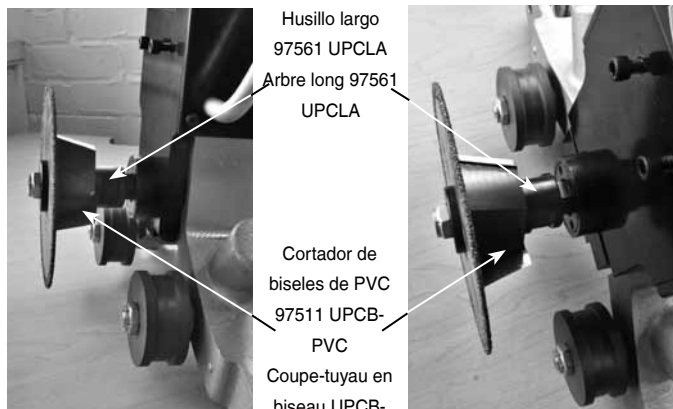
3. Apriete el Cortador de biseles de PVC sobre el Husillo largo  
 3. Serrez le coupe-tuyau en biseau pour PVC sur l'arbre



4. Añada una hoja para PVC  
 4. Ajoutez la lame pour le PVC

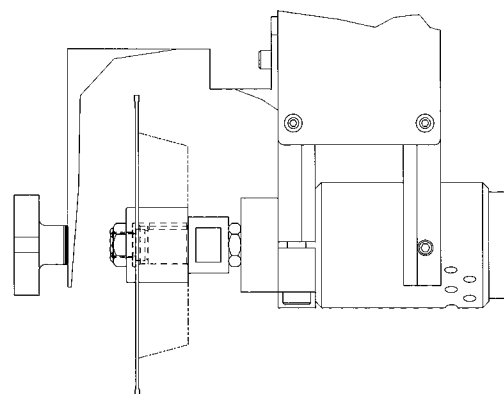


5. Deslicelo sobre la Arandela bridada 97066 y luego apriete la tuerca Flexloc 97543  
 5. Glissez la rondelle de bride 97066, puis serrez l'écrou Flexloc 97543



Husillo largo 97561 UPCLA  
 Arbre long 97561 UPCLA

Cortador de biseles de PVC 97511 UPBPVC  
 Coupe-tuyau en biseau UPBPVC pour PVC



6. Añada el conjunto de guarda de hoja  
 6. Ajoutez le protège-lame

# — INHALTSVERZEICHNIS —

<b>I. SICHERHEITS- UND WARNHINWEISE</b>	2	<b>IV. MIT DEM GERÄT ARBEITEN</b>	5, 6
<b>II. BESCHREIBUNG/GERÄTEEIGENSCHAFTEN</b>	2, 3	<b>V. WARTUNG</b>	6
<b>III. ZUSAMMENBAU</b>	3, 4, 5	<b>VI. ERSATZTEILLISTE</b>	7

## I. SICHERHEITS- UND WARNHINWEISE

### A. Richten Sie sich stets nach folgenden Dokumenten:

1. General Industry Safety & Health Regulations („Allgemeine Vorschriften für die Industrie betreffend Sicherheit und Gesundheit“), herausgegeben von der US-Aufsichtsbehörde OSHA.
2. ANSI-Spezifikationen Nr. B186.1 und B7.
3. Gesetze und Richtlinien

### B. Die o. a. Gesetze und Richtlinien in verkürzter Form:

Bez. der nachfolgenden Angaben zu Gesetzen und Richtlinien wird kein Anspruch auf Vollständigkeit erhoben. Halten Sie sich im Zweifel an den Originalwortlaut der o. a. Gesetze und Richtlinien.

1. Arbeitsgeschwindigkeit des Schneidwerkzeugs prüfen, bevor es zusammengebaut wird.
2. Tachometer verwenden.  
Die Ist-Geschwindigkeit darf die Soll-Geschwindigkeit nicht überschreiten.
3. Führen Sie Geschwindigkeitstests aus, wenn:
  - a. ein Werkzeug für die Nutzung freigegeben wird.
  - b. sämtliche am Werkzeug (ggf. mehrere) auszuführenden Reparaturarbeiten erfolgreich abgeschlossen sind.
4. Die Werkzeuge sind ausschließlich so zu verwenden, wie der bestimmungsgemäße Gebrauch dies vorsieht.
5. Sowohl das Testen der Werkzeuge als auch das Arbeiten mit ihnen muss mit 90 PSI erfolgen. Ausnahmen hiervon gibt es nur, wenn für das Werkzeug andere Druckwerte zugelassen sind und es entsprechend gekennzeichnet wurde.
6. Empfohlene Luftleitungsausrüstung verwenden.  
Hierzu zählen die Luftleitungsfilter, die Regler und die Schmiervorrichtungen.
7. Unterbrechen Sie in folgenden Fällen den Betrieb unverzüglich:
  - a. Ein ungewöhnliches Geräusch ist zu hören oder...
  - b. Eine ungewöhnlich starke Vibration ist spürbar (siehe Abschnitt III; dort können Sie prüfen, ob beim Zusammenbau korrekt vorgegangen wurde).
8. Drehzahlwerte des Schneidblatts prüfen  
Diese müssen mindestens den Drehzahlwerten des Luftmotors entsprechen.
9. Mount Blade According To Regulations. Refer to Section IIIA - IIIB.
10. Das Schneidblatt einer Sichtprüfung unterziehen
  - a. Siehe die o. a. Gesetze und Richtlinien. (Abschnitt 1A)
  - b. Entsorgen, falls gesplittert, gebrochen oder anderweitig beschädigt.
11. Geeigneten Schneidblattschutz anbringen
  - a. Siehe Abschnitt IIIC.
  - b. Beispiel für einen Warnhinweis:

## WARNING / ADVERTENCIA

**HIGH SPEED ROTATING BLADE**  
Can cause severe personal injury. Keep hands clear of blade while saw is running.  
**DO NOT** operate this unit without blade guard in place.

**HOJA GIRATORIA DE ALTA VELOCIDAD**  
Puede causar lesiones personales graves. Aleje las manos de la hoja cuando la sierra esté en funcionamiento.  
**NO opere esta unidad si la guarda de la hoja no está en su lugar.**



**DO NOT** use this cutter on AC pipe or FRP (GRP) pipe. Free asbestos fibers and/or fiberglass fibers may be hazardous to your health.

**NO use este cortador en tuberías de asbesto o tuberías reforzadas con fibra de vidrio. Las fibras de asbesto y/o de fibra de vidrio que se desprenden y vuelan libres pueden ser peligrosas para su salud.**

0820-50219

Reed Manufacturing, Erie, PA USA www.reedmfgco.com

### WARNUNG

#### SCHNELL ROTIERENDES SCHNEIDBLATT

Hieran können Sie sich schwere Verletzungen zuziehen. Halten Sie Ihre Hände vom Schneidblatt fern, während die Säge läuft.

Arbeiten Sie mit diesem Werkzeug **NUR DANN**, wenn der Schneidblattschutz angebracht ist.

Verwenden Sie dieses Schneidwerkzeug **NICHT**, um an Rohren aus Asbestzement oder GFK zu arbeiten.

Wenn Asbestfasern und/oder Glasfasern freigesetzt werden, dann besteht Gefahr für Ihre Gesundheit.

12. Tragen Sie immer Schutzkleidung, wenn Sie mit dem Werkzeug arbeiten.
  - a. In den o. a. Gesetzen und Richtlinien (Abschnitt 1A) finden Sie Informationen zu Schutzbrille, Gesichtsschutz und Schutzkleidung anderer Art.
  - b. Sie einen geeigneten Gehörschutz, mit dem Sie die Geräuschkentwicklung auf ein für Sie erträgliches Maß verringern können.
13. Setzen Sie ein geeignetes Sicherheitsprogramm um.  
Entnehmen Sie den Spezifikationen von ANSI und OSHA, welche Maßnahmen zu Inspektion und Wartung erforderlich sind.

**WARNUNG: Falls Sie den sicherheitsrelevanten Vorschriften zuwiderhandeln, können schwere Körperverletzungen die Folge sein.**

## II. BESCHREIBUNG

### A. Rohrschneidermodell: UPC 616A, 616AP, 636A, 648A, 836APE und 848APE

**HINWEIS: Die Modelle UPC836APE und UPC848APE sind speziell für das Arbeiten an Rohren aus PE-Material (hochdichtes Polyethylen) ausgelegt. Wenn das Schneidblatt einen größeren Durchmesser (203 mm = 8") hat, können Sie mit den entsprechenden Modellen PE-Rohre mit einer Wanddicke bis 69 mm (2,65") schneiden. Sie lassen sich auch für PVC-Kunststoffrohre einsetzen, wenn zur Ausstattung ein PVC-Schneidblatt gehört. Im Lieferumfang der Modelle UPC836APE und UPC848APE ist kein Druckwasserkreislauf enthalten. Mit ihnen kann nicht an Rohren gearbeitet werden, für die wassergekühlte Schneidblätter benötigt werden, z. B. Rohre aus Gusseisen, Grubenguss, Kugelgraphit-Gusseisen, Ton oder Beton.**

### B. Technische Daten des Motors:

Vom UPC erzeugte Leistung = 1,3 kW  
 Max. Drehzahl (U/Min.) = 3.675  
 Luftverbrauch = 1,4 m³/Min.  
 Druck = 90 psi Max. (6 bar)  
 Abdichtung = 19 mm (3/4") Kugelventil  
 Armaturen der Luftversorgung = 19 mm (3/4") Kupplung "Air King" von Dixon

### C. Rohrschneidekapazität:

UPC616A	nomineller Außendurchmesser von 6–16" (ca. 152–406 mm)
UPC636A	nomineller Außendurchmesser von 6–36" (ca. 152–914 mm)
UPC648A	nomineller Außendurchmesser von 6–48" (ca. 152–1.219 mm)
UPC836APE	nomineller Außendurchmesser NUR PE-Rohr von 8–36" (203–914 mm)
UPC848APE	nomineller Außendurchmesser NUR PE-Rohr von 8–48" (203–1219 mm)

### D. Schneiden von Gehrungen:

Die Art der Gehrung richtet sich nach der Art des verwendeten Gehrungsschneiders. Per Sonderbestellung erhältlich.

### E. Maximale Schnitttiefe

Schneidblatt 4" (102 mm) = 23/32" (18 mm)
Schneidblatt 6" (152 mm) = 1 23/32" (44 mm)
Schneidblatt für Stahl 4" (102 mm) = 1/2" (13 mm)
Schneidblatt für Stahl 6" (152 mm) = 1/2" (13 mm)
Schneidblatt für PE 8" (203 mm) = 2 23/32" (69 mm)

### F. Standardausrüstung

Standardausrüstung	UPC616A	UPC636A	UPC648A	UPC836APE	UPC848APE
Motorbetriebenes Schneidwerkzeug („Power Cutter“) mit Leistung von 1,3 kW Motor	JA	JA	JA	JA	JA
Baugruppe „Kette/Spanschluss“	JA Zum Schneiden bis 16" (406 mm) Rohrdicke	JA	JA	JA	JA
Verbindungsrahmen und Kette für Rohrdurchmesser bis	NEIN	36"	48"	36"	48"
Filter/Regler/Schmiervorrichtung mit Ständer	JA	JA	JA	JA	JA
Wassertank	11,4 Liter (3 Gallonen)	27,3 l (6 Gallonen)	27,3 l (6 Gallonen) mit Karre	NEIN	NEIN
Transportkoffer	JA	JA	JA	JA	JA
Luftleitungsöl	JA	JA	JA	JA	JA
Fettpresse mit Getriebefett	JA	JA	JA	JA	JA
Satz Sechskantschlüssel	JA	JA	JA	JA	JA
Verstellbare Gabelschlüssel (Maulschlüssel)	JA	JA	JA	JA	JA
Keile	JA	JA	JA	JA	JA
Schneidblatt UPCSTEEL6 der Größe 6" (152 mm)	NEIN	NEIN	NEIN	JA	JA
Schneidblatt UPCEP8 der Größe 8" (203 mm)	NEIN	NEIN	NEIN	JA	JA

### G. Optionale(s) Zubehör/Schneidblätter

Wählen Sie aus der SCHNEIDBLATTAUSWAHLTABELLE ein Schneidblatt aus, das sich optimal für die jeweilige Anwendung eignet (siehe unten).

### H. Erforderliche Zusatzausrüstung:

Luftkompressor mit einer Durchflusskapazität von 1.416 L/Min. bei 6,2 bar (50 SCFM@90 psi) Mit passenden Armaturen ausgerüstete Schläuche. Wenn Sie Armaturen verwenden, die nicht mit dem Motor mitgeliefert wurden, sollten diese voll gebohrt sein. Hierdurch lässt sich die Motordrehzahl maximieren.

## III. Zusammenbau des Werkzeugs

### A. Einsetzen des Schneidblatts

1. Wählen Sie anhand der Tabelle weiter unten einen Schneidblatttyp aus.
2. Einsetzen von Schneidblättern

a. Standarddorn – Schneidblatt in den Dornansatz (Durchmesser = 5/8" (15,9 mm), siehe Abb. 2) einsetzen. Bauen Sie den Flansch mit der entlasteten Seite zum Schneidblatt hin ein. Schrauben Sie anschließend die Gegenmutter auf. Ziehen Sie, während Sie einen Schraubenschlüssel (im Lieferumfang) an den flachen Seiten des Dorns (7/8) angesetzt haben, die zum Dorn zugehörige Gegenmutter fest. Das Schneidblatt muss vollständig auf dem Dornansatz sitzen und bündig zur Dornoberfläche liegen.

HINWEIS: Wenn Sie nur durch PVC schneiden und dabei keine Gehrung benötigen, dann empfehlen wir Ihnen, den Standarddorn Nr. 97617 zu verwenden, der mit dem Gerät mitgeliefert wird und werkseitig vorinstalliert ist.

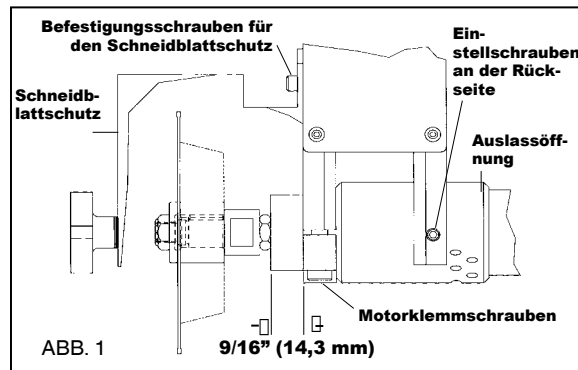
- b. **Langdorn für das Schneiden und Abschrägen von PVC-Rohren**  
Setzen Sie, wenn Sie ein Rohr durchtrennen und gleichzeitig mit einer Gehrung versehen wollen, den Gehrungsschneider (kleine Schneidkante, zeigt in Richtung des Motors) über dem Langdorn Nr. 97561 ein. Setzen Sie als nächstes das von Ihnen ausgewählte Schneidblatt in den Dornansatz (Durchmesser = 5/8" (15,9 mm), siehe Abb. 3) ein. Als nächstes setzen Sie den Flansch mit der entlasteten Seite zum Schneidblatt hin ein und montieren die Gegenmutter. Ziehen Sie, während Sie einen Schraubenschlüssel (im Lieferumfang) an den flachen Seiten des Dorns (7/8) angesetzt haben, die Gegenmutter des Dorns mit einem Schraubenschlüssel der Größe 3/4" (19 mm; im Lieferumfang) fest. Das Schneidblatt muss vollständig auf dem Dornansatz sitzen und bündig zum Gehrungsschneider liegen. *Alle Einzelheiten hierzu finden Sie unter Aufbau Werkzeug zum Schneiden und Abschrägen von PVC-Rohren, Abb. 7 auf S. 34.*
- c. Richtwerte für die Tiefe beim Schneiden von Gehrungen:  
Schneidblatt 6" (152 mm) – um weitere 43 mm einführen, sobald das Schneidblatt das Rohr berührt  
Schneidblatt 4" (102 mm) – um weitere 28 mm einführen, sobald das Schneidblatt das Rohr berührt

HINWEIS: Die Lebensdauer des Schneidblatts hängt ab von Witterungsbedingungen, Rohrtyp und Rohrdurchmesser sowie der Art und Weise, in der das Rohr gehandhabt wird.

ACHTUNG: Der Luftmotor dreht sich ENTGEGEN DEM UHRZEIGERSINN, wenn die Betrachtung vom dornseitigen Ende her erfolgt. Die Schneidblätter, auf die ein Drehbewegungspfeil aufgedruckt ist, sind so einzusetzen, dass sie entgegen dem Uhrzeigersinn rotieren.

### B. Einsetzen von Gehrungsschneidern (Abb. 1) als Option

1. Prüfen Sie die Dichtheit des Motors, indem Sie die Motorklemmschrauben (2) an der Unterseite des Geräts anziehen. (Abb. 1)



MESSERAUSWAHLTABELLE			Rohrdurchmesser	Rohrmaterial
Katalog Nr.	Artikelnr.	Beschreibung		
UPCARB4	97510	Mit SCHNEIDBLÄTTERN der Größe 4" (102 mm) lassen sich Rohre bis zu einer Wanddicke von 23/32" (18 mm) schneiden.	6" (150 mm)	PVC
UPCBPVC*	97511	Gehrungsschneider für PVC-Rohre	6" - 48" (150-1300 mm)	PVC
UPCARB6	97514	Mit den SCHNEIDBLÄTTERN der Größe 6" (152 mm) lassen sich Rohre bis zu einer Wanddicke von 1 23/32" (44 mm) schneiden.	8" - 48" (200-1300 mm)	PVC
UPCSTEEL4	97519	Mit SCHNEIDBLÄTTERN der Größe 4" (102 mm) lassen sich Rohre bis zu einer Wanddicke von 1/2" (13 mm) schneiden.	6" - 8" (150-200 mm)	Stahl
		Mit SCHNEIDBLÄTTERN der Größe 4" (102 mm) lassen sich Rohre bis zu einer Wanddicke von 23/32" (18 mm) schneiden.	6" - 8" (150-200 mm)	PE
UPCSTEEL6	97520	Mit SCHNEIDBLÄTTERN der Größe 6" (102 mm) lassen sich Rohre bis zu einer Wanddicke von 1/2" (13 mm) schneiden.	8" - 48" (200-1300 mm)	Stahl
		Mit den SCHNEIDBLÄTTERN der Größe 6" (152 mm) lassen sich Rohre bis zu einer Wanddicke von 1 23/32" (44 mm) schneiden.	8" - 48" (200-1300 mm)	PE
UPCEP8**	97521	Mit den SCHNEIDBLÄTTERN der Größe 8" (152 mm) lassen sich Rohre bis zu einer Wanddicke von 2 23/32" (69 mm) schneiden.	26" - 48" (660-1300 mm)	PE
UPCDIA4	97529	Mit den SCHNEIDBLÄTTERN der Größe 4" (102 mm) lassen sich Rohre bis zu einer Wanddicke von 23/32" (18 mm) schneiden.	6" - 8" (150-200 mm)	Gusseisen, Grubenguss, Kugelgraphit-Gusseisen, Ton, Beton
UPCDIA6	97525	Mit den SCHNEIDBLÄTTERN der Größe 6" (152 mm) lassen sich Rohre bis zu einer Wanddicke von 1 23/32" (43,7 mm) schneiden.	8" - 48" (200-1300 mm)	Gusseisen, Grubenguss, Kugelgraphit-Gusseisen, Ton, Beton

\* Verwendung zusammen mit Abschnide-Schneidblättern des Modells UPCARB4 oder UPCARB6 es wird ein Gehrungsschneider vom Typ Langdorn Nr. 97617 benötigt, da dieser eine Schneidblattdicke von 1/4" (31,75 mm) aufweist.

\*\* Dieses Schneidblatt ist nur zusammen mit den Modellen UPC836 und UPC848 verwendbar.

2. Drehen Sie die Auslassöffnung so lange, bis die Anschlüsse nach unten gerichtet sind. Positionieren Sie die hinteren Einstellschrauben (2) so, dass sie die Auslassöffnung leicht berühren. Wenn Sie die hinteren Einstellschrauben anziehen, wird hierdurch der Motorrahmen verbogen und der Motor beschädigt.
3. Nehmen Sie den Schneidblattschutz ab. Hierzu müssen die 2 Schrauben an der Oberseite des Schutzes gelöst werden. (siehe Abb. 1)
4. Entfernen Sie die Gegenmutter und den Flansch sowie ggf. weitere vorhandene Schneidblätter vom Dorn. Siehe hierzu Abb. 7 auf S. 34.

**WARNUNG:**

**Verwenden Sie das Gerät nur dann, wenn ein Schneidblattschutz eingesetzt ist.**

**C. Bringen Sie den Schneidblattschutz wieder an und ziehen Sie die Befestigungsschrauben fest.**

**D. Wählen Sie die Kette und die Verbindungsrahmen so, dass diese sich zum Bewältigen des jeweiligen Außendurchmessers des Rohres eignen.**

HINWEIS: UPC616 nutzt den Motorrahmen und die Baugruppe „Kette/Spansschloss“ (19).

**E. Aufbauen des Geräts am Rohr**

1. Drehen Sie am Motorrahmen den Verriegelungsknopf los. (Abb. 4)
2. Ziehen Sie den Motorrahmen wieder in die oberste Position. Drehen Sie hierzu den Vorschubknopf entgegen dem Uhrzeigersinn. (Abb. 4)
3. Verbinden Sie Verbindungskette (13) und Spansschlossbaugruppe mit dem Motorblock. Verwenden Sie hierzu den Lösestift. Verlängern Sie das Spansschloss bis in die äußerste Position (Abb. 5).
4. Verbinden Sie den Kettenhaken mit der anderen Seite des Motorblocks. Verwenden Sie hierzu den Lösestift. Bauen Sie den Haken in aufrechter Position auf.



FOTO Nr. 2

NENN-DURCHMESSER DES ROHRES	MOTORRAHMEN	BAUGRUPPE VERBINDUNGSKETTE MIT SPANNSCHLOSS (13)	BAUGRUPPE VERBINDUNGSKETTE (11)	VERBINDUNGSRAHMEN
6-12" (152-304 mm)	1	1	—	—
14-26" (356-660 mm)	1	1	1	1
28-36" (722-914 mm)	1	1	2	2
40-48" (1.016-1.219 mm)	1	1	3	3



FOTO NR. 1

5. Setzen Sie das Gerät am Rohr an. Achten Sie dabei unbedingt darauf, dass der Motorblock sicher gehalten wird, während Sie diesen mit der Kette umwickeln. Auf diese Weise können Sie den Haken am Motorrahmen befestigen (Foto Nr. 2). Ziehen Sie das Spansschloss so an, dass das Gerät fest sitzt, aber auch gedreht werden kann (Foto Nr. 2). Das Schneidwerkzeug sollte immer an dem Abschnitt des Rohrs montiert werden, der nicht ausgebaut werden soll.

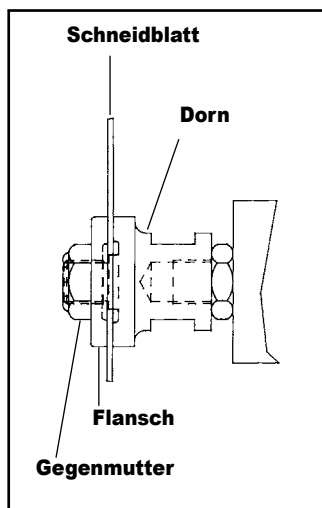
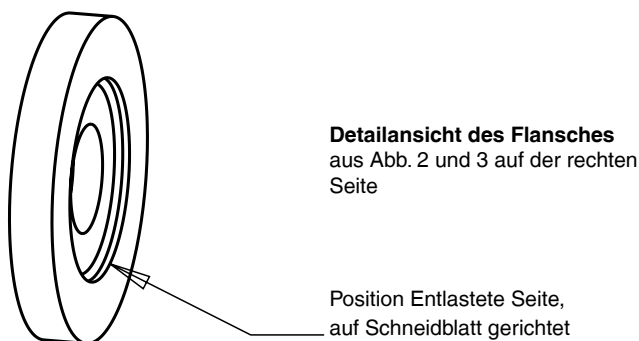


ABB. 2

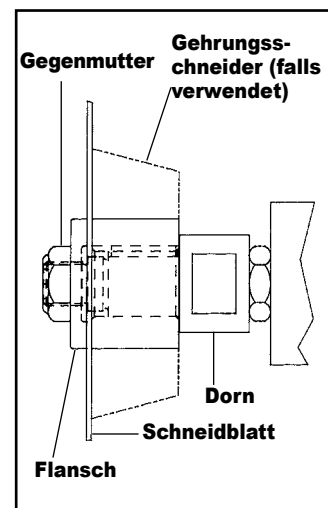


ABB. 3

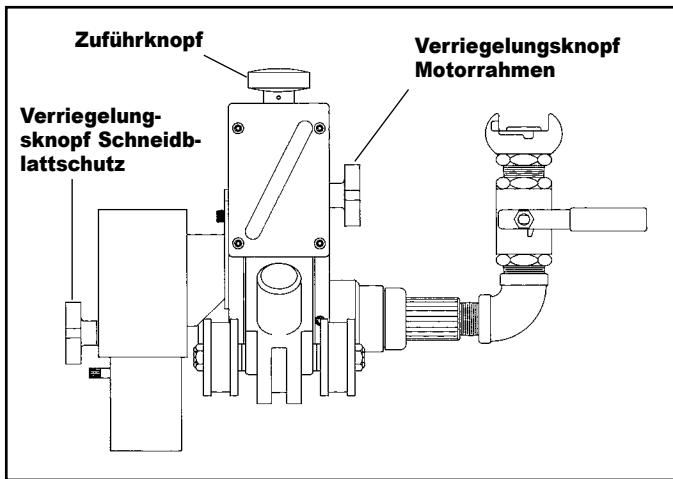


ABB. 4

6. Wenn Sie das Rohr an der Stelle schneiden, an welcher Sie die Verbindungsrahmen und die Verbindungsketten (11) benötigen (UPC636 und UPC648), dann hakt sich die vormontierte Kette in die Aluminium-Verbindungsrahmen ein. Hierbei befinden sich die Kettenhaken in der unteren Position. Wechseln Sie nun zurück zu Schritt 5. Achten Sie hierbei unbedingt darauf, dass die Verbindungsrahmen denselben Abstand zum Motorblock aufweisen. (Abb. 5).

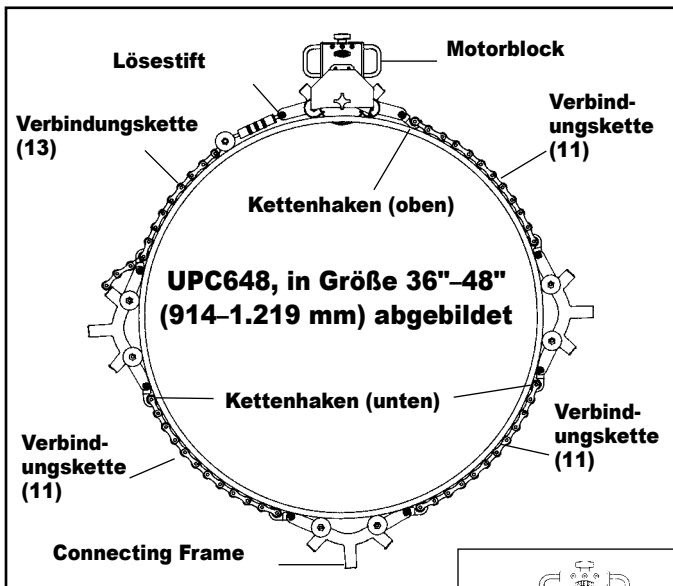
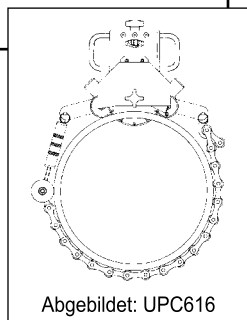


ABB. 5

#### F. Schneidwerkzeug korrekt ausrichten (Testspurführung)

Drehen Sie das Werkzeug um das Rohr herum (eine Umdrehung). Um die Genauigkeit der Spurführung zu prüfen, kennzeichnen Sie das Rohr an einer der Rollen des Motorblocks. Drehen Sie das Gerät noch einmal um das Rohr herum und notieren Sie sich, ob die Spurführung korrekt ist oder nicht. Indem Sie leicht gegen die Kette und/oder die Verbindungsrahmen schlagen oder diese(n) neu einstellen, können Sie das Gerät korrekt ausrichten.



#### G. Luftversorgung anschließen

Das Werkzeug ist mit Street Eil, Kugelventil und Dixon-Kupplung ausgestattet. Eine beliebige Kombination von Rohren kann zusammen mit dem Gerät verwendet werden, solange alle Armaturen einem vollen Durchfluss entsprechen. Hierdurch lässt sich die maximale Motordrehzahl erreichen. Schließen Sie immer die Warmluftseite des Kompressors an, wenn dieser entsprechend ausgerüstet ist. Auf diese Weise sorgen Sie für eine optimale Laufleistung Ihres Werkzeugs.

#### H. Filter, Regler, Schmiervorrichtung einstellen

Hinweis: Filter, Regler und Schmiervorrichtung müssen unbedingt verwendet werden, wenn Sie den UPC in der Pneumatikausführung nutzen. Die verwendete Luft sollte sauber und trocken sein. Schmieröl ist erforderlich, um die Lebensdauer des Motors zu verlängern und seine Leistungsfähigkeit zu erhöhen.

1. Bevor Sie ihn mit Druck beaufschlagen, befüllen Sie den Öler mit dem mitgelieferten Öl. Entfernen Sie hierzu die große schwarze Kappe an der Oberseite. (Überschreiten Sie hierbei auf keinen Fall die Linie mit dem Höchstfüllstand.) Setzen Sie die Kappe wieder auf.
2. Stellen Sie für den Luftdruck einen Höchstwert von 6,2 bar (90 psi) ein. Lösen Sie die Flügelmutter an der Unterseite des Reglers. Drehen Sie den großen Knopf so lange im Uhrzeigersinn, bis der benötigte Druckwert erreicht ist.
3. Drehen Sie an der kleinen Einstellschraube, um die Öltropfgeschwindigkeit einzustellen. Der Öler sollte auf 5–6 Tropfen pro Minute eingestellt werden.

#### I. Den Wassertank befüllen (nicht erforderlich zum Schneiden von Plastikrohren) und am Schneidblattschutz befestigen.

Wasser wird verwendet, um die Diamantschneidblätter zu kühlen, wenn Rohre aus Gusseisen, Kugelgraphit-Gusseisen oder Ton zu schneiden sind. Bei niedrigen Temperaturen in der Einsatzumgebung kann der Wassertank in gewissem Maße angewärmt werden. Alternativ kann dem Wasser ein ungiftiges, umweltschonendes Frostschutzmittel zugegeben werden.

## IV. MIT DEM GERÄT ARBEITEN

#### A. Das Schneidblatt richtig positionieren

1. Lösen Sie den Verriegelungsknopf des Schneidblattschutzes so weit, dass der Schwingschutz auf dem Rohr ruht.
2. Drehen Sie den Vorschubknopf des Schneidwerkzeugs im Uhrzeigersinn (Abb. 4): Senken Sie Motor und Schneidwerkzeug so ab, dass sie jeweils dem Rohr nahe kommen, dieses jedoch nicht berühren. Der Knopf zum Verriegeln des Motorrahmens sollte fest sitzen, der Motorrahmen sich aber trotzdem verschieben lassen.

#### B. Den Druckwassertank mit Druck beaufschlagen – gemäß den mit dem Tank mitgelieferten Anweisungen

Öffnen Sie am Tank das Ventil. Wenn das Gerät benutzt wird, muss der Tank immer wieder mit Druck beaufschlagt werden.

Gesonderte Anweisungen zum Schneiden an Rohren aus Stahl und PE finden Sie auf der nächsten Seite.

#### C. Motor einschalten

Wenn Sie sich vergewissert haben, dass die Luftleitung frei von Schmutz und Dreck ist, schließen Sie den Luftschlauch an den Motor an. Öffnen Sie das Kugelventil am Motor.

**WARNUNG: Die Schneidblatt rotiert jetzt. Halten Sie unbedingt Ihre Hände fern.**

#### D. Langsam das Schneidblatt in das Rohr einführen.

Hinweis: Schnelles Einführen kann dazu führen, dass die Schneidblatt die vorgesehene Spur verlässt.

1. Notieren Sie sich die Position, an der sich der Zeiger des Tiefenmessers befindet (unterteilt in Zehntel-Zoll mit Zusatzangaben in Millimetern). Siehe Foto Nr. 3.
- 2.\* Wenn Ihnen die Dicke des zu schneidenden Rohrs bekannt ist, drehen Sie den Vorschubknopf so lange im Uhrzeigersinn (Abb. 4), bis der Zeiger die gewünschte Schneidetiefe anzeigt. Lassen Sie mindestens 1/4" (6,4 mm) über die Schneidetiefe des Messers hinweg zu.

\*Eine Ausnahme hiervon ist die Verwendung des Gehrungsschneiders für Kunststoffrohre. In diesem Fall würde das Schneidwerkzeug erst dann eingreifen, wenn der Gehrungsschneider zu schneiden beginnt. Zu diesem Zeitpunkt könnten Sie anhand des Zeigers am Tiefenmesser den Grad der Abschrägung ablesen: Ist er bis zum Anschlag vorgerückt, beträgt die Abschrägung 15/16" (24 mm). Siehe Abb. 4.

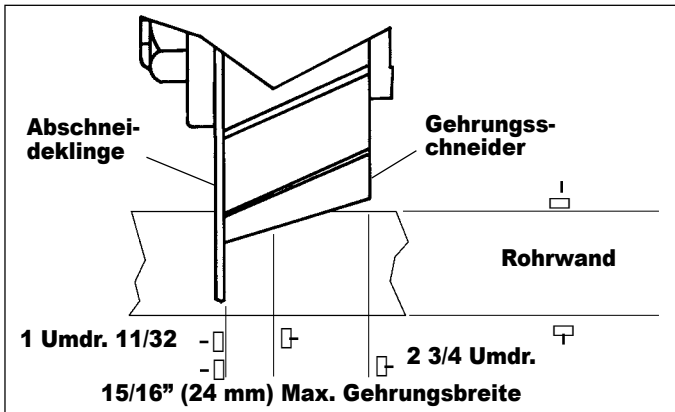


ABB. 6

3. Ziehen Sie den Verriegelungsknopf am Motorrahmen fest. (Abb. 4)
4. Ziehen Sie den Knopf zum Verriegeln des Schneidblattschutzes ca. 3 mm (1/8") vom Rohr entfernt fest. (Abb. 4)
5. Drehen Sie das Gerät in Richtung des Pfeils oben am Motorrahmen.
6. Platzieren Sie im Abstand von 9–12" (229–305 mm) Keile.
7. Das Gerät schneidet auch unter Wasser. Falls es dabei hängen bleibt, drehen Sie es durch die Schnittspur wieder nach oben. Lassen Sie das Wasser ab, bevor Sie erneut schneiden.
8. Wenn Sie ein Kunststoffrohr abschrägen, lassen Sie den Start/Endepunkt des Schnitts überlappen. Dies ermöglicht Ihnen ein vollständiges Abschrägen.
9. Falls das Schneidblatt während des Schneidevorgangs eingeklemmt wird:
  - a. Trennen Sie Luftleitung und Gerät voneinander.
  - b. Öffnen Sie das Kugelventil. Auf diese Weise lässt sich die Luft aus dem Motor vollständig ablassen.
  - c. Nehmen Sie den Schneidblattschutz ab.
  - d. Entfernen Sie Gegenmutter und Flansch vom Dorn.
  - e. Trennen Sie die Kette ab.
  - f. Ziehen Sie den Motorblock vom Schneidblatt ab.
  - g. Entfernen Sie die Schneidblatt vom Rohr, indem Sie das Rohr anheben. Unterziehen Sie die Schneidblatt einer Sichtprüfung auf Beschädigung.
10. Wenn der Motor am selben Tag nicht noch einmal verwendet werden soll, öffnen Sie das Kugelventil und füllen Sie ca. einen Teelöffel Luftleitungsöl in den Lufteinlassanschluss ein. Schließen Sie daraufhin das Kugelventil.

### Beim Schneiden von Stahlrohren:

Funken entstehen unabhängig davon, ob Sie zum Schneiden mit dem UPC Wasser verwenden oder nicht. Ohne Wasserzufuhr lässt es sich leichter schneiden, da die Späne aus dem Arbeitsbereich herausfliegen können. Andererseits vermindert Wasserzufuhr die Funkenbildung.

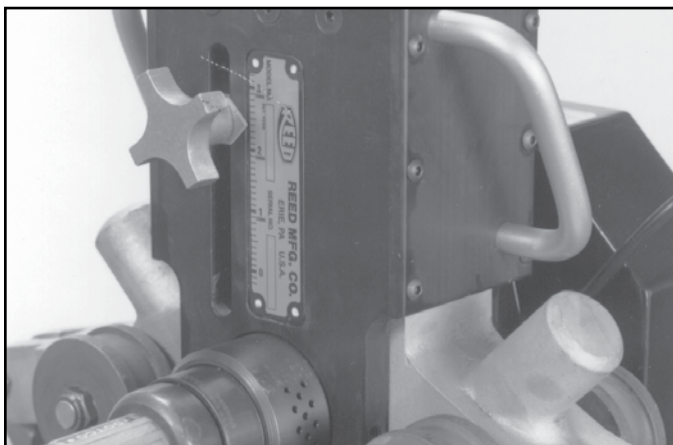



FOTO Nr. 3

Wasser hält das Schneidblatt besser kühl. Allerdings bewirkt Wasser, dass sich Späne im Schneidebereich des Schneidblatts ansammeln. Dies erhöht für das Schneidblatt den Arbeitsaufwand, da es u. U. in den Arbeitsbereich hineingefallene Späne erneut schneidet.

### Beim Schneiden von PE-Rohren:

Wenn PE-Rohre zu schneiden sind, werden die Schnitte ausnahmslos trocken ausgeführt. Drehen Sie die Auslassöffnung hinten am UPC gerade nach oben, damit der Auslass gerade nach oben und nicht in das Rohr hinein bläst. Verwenden Sie einen neuen Schlauch zum Verbinden von Kompressor und Filter/Regler/Schmiervorrichtung (FRL) und einen neuen Schlauch zum Verbinden von FRL und UPC. Wenn Sie einen neuen Schlauch verwenden, tritt beträchtlich weniger Öl aus. Nutzer sollten darüber hinaus die Auslassöffnung regelmäßig abwischen, damit es nicht zu Ölverdichtung oder Austropfen von Öl kommt.

**ACHTUNG:** Wenn Sie Rohre aus Stahl, Gusseisen oder Kugelgraphitgusseisen schneiden, können beim Schneiden mit dem Universalrohrschneider (Universal Pipe Cutter, UPC) Funken entstehen. Wenn Sie PE-Rohre durchtrennen, dann kann sich Ihr Universalrohrschneider (UPC) elektrostatisch aufladen. Arbeiten Sie mit der UPC-Säge auf keinen Fall in einer Umgebung, in der Explosionsgefahr oder Gefahr einer vergleichbaren Art besteht, an aktiven Leitungen. Die Leitung muss dahingehend überprüft werden, ob sie vollständig frei von entflammaren Dämpfen und Flüssigkeiten ist.



## V. WARTUNG

### A. Motor

1. Schmierung: Schmieren Sie das Planetengetriebe am Ende jedes Arbeitstags. Verwenden Sie hierzu die Fettpresse und das Getriebefett, welche im Lieferumfang enthalten sind. (Empfohlen wird APEX Tool Group Schmierfett Nr. 45-0983). Ein 6,4 mm (1/4") großes Loch an der Vorderseite der Auslassöffnung des Motors gibt einen Schmiernippel frei. Die Armatur sollte nach oben zeigen, wenn Sie den Motorblock auf den Kopf stellen. Siehe Wartungsinfo (Service Bulletin) Nr. 50498. Der Motor ist zudem zu Beginn und Ende jedes Arbeitstags zu ölen (Abschnitt IV, D. Punkt 10).
2. Wartung: Siehe Wartungshinweise an der Unterseite des Trägergehäusedeckels.

**Hinweis:** Wenn Ihr Motor nicht richtig funktioniert, z. B. im Falle von Undichtigkeit, nachlassender Leistung usw., bauen Sie den Motor auf keinen Fall auseinander. Hierdurch verlieren Sie die Garantieansprüche, die Ihnen für Ihren Motor gewährt wurden. Schicken Sie den Motor zurück an Reed Manufacturing und lassen Sie ihn dort reparieren.

**B. Den Luftanschluss mit der Abdeckkupplung verschließen, wenn das Gerät vorübergehend nicht benutzt wird.**

**C. Die Diamantschneidblätter nachschärfen.**

1. Siehe Wartungsinfo (Service Bulletin) Nr. 50498.

**D. Das Karbidgitter-Schneidblatt reinigen, falls dieses sich mit Materialresten zusetzt.**

1. Verwenden Sie zum Reinigen eine Drahtbürste oder ein geeignetes Lösungsmittel.
2. Wenn Sie das Schneidblatt umdrehen, können Sie hierdurch seine Lebensdauer erhöhen.

**E. Schneidblätter/Gehrungsschneider für Stahl/PE-Rohre schärfen**

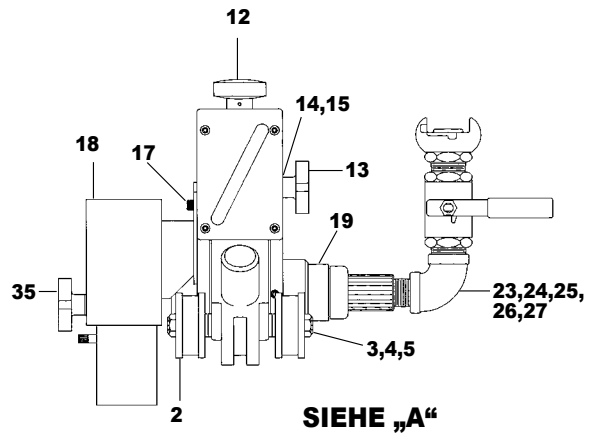
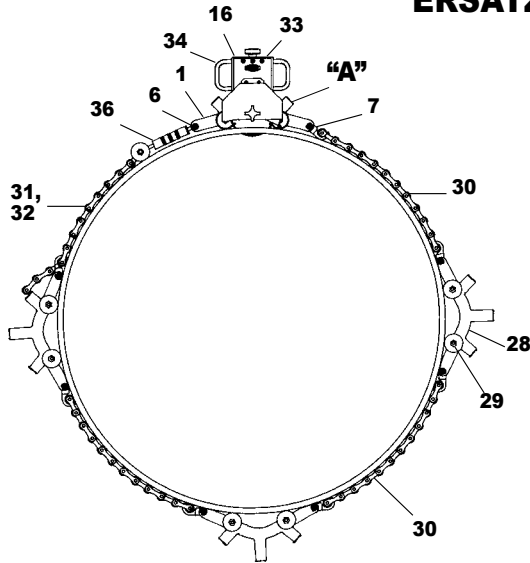
Dies sollte ein professioneller Werkzeugschleifdienst übernehmen.

**F. Schmieren Sie gelegentlich die Lösestifte, Kettenverbindungen, Hauptrahmenschraube, Rollenstifte und Spannschloss-Baugruppe mit einem Wasser ersetzenden Schmiermittel (WD-40 oder gleichwertig).**

®WD-40 ist eine eingetragene Marke des Unternehmens WD-40.



# ERSATZTEILLISTE



TEILENR.	BESCHREIBUNG	UPC616A		UPC636A		UPC648A		JPC836APE		UPC848APE	
		MENGE	KATEGORIE NR.	MENGE	KATEGORIE NR.	MENGE	KATEGORIE NR.	MENGE	KATEGORIE NR.	MENGE	KATEGORIE NR.
1	MOTORRAHMEN-BAUGRUPPE*	1	97067	1	97067	1	97067	1	97067	1	97067
2	ROLLEN, MOTORRAHMEN, SATZ	4	97541	4	97541	4	97541	4	97541	4	97541
3	ROLLENSTIFT	2	97542	2	97542	2	97542	2	97542	2	97542
4	GEGENMÜTTERN, ROLLENSTIFT	4	97543	4	97543	4	97543	4	97543	4	97543
5	EINSTELLSCHRAUBEN, ROLLENSTIFT	4	97544	4	97544	4	97544	4	97544	4	97544
6	LÖSESTIFT	2	94477	6	97545	8	97545	6	97545	8	97545
7	KETTENHAKEN	1	97546	5	97546	7	97546	5	97546	7	97546
8	VORSCHUBSPINDEL	1	97547	1	97547	1	97547	1	97547	1	97547
9	BUCHSE, VORSCHUBSPINDEL	1	97548	1	97548	1	97548	1	97548	1	97548
10	EINSTELLSCHRAUBE, STELLRING	2	40083	2	40083	2	40083	2	40083	2	40083
11	STELLRING	1	93140	1	93140	1	93140	1	93140	1	93140
12	KNOPF, VORSCHUB	1	97551	1	97551	1	97551	1	97551	1	97551
13	KNOPF, MOTORSPERRE	1	97552	1	97552	1	97552	1	97552	1	97552
14	UNTERLEGSCHIBE, NYLON	1	97553	1	97553	1	97553	1	97553	1	97553
15	ZEIGER	1	97554	1	97554	1	97554	1	97554	1	97554
16	MOTORRAHMEN BAUGRUPPE	1	97555	1	97555	1	97555	1	97555	1	97555
17	SCHRAUBEN, SCHNEIDBLATTSCHUTZ	2	30004	2	30004	2	30004	N. ZUTR.		N. ZUTR.	
18	SCHNEIDBLATTSCHUTZ-BAUGRUPPE	1	97559	1	97559	1	97559	1	07509	1	07509
19	MOTOR, LUFT 1,7 HP (1,3 KW)	1	97560	1	97560	1	97560	1	97560	1	97560
20	DORN, STANDARD	1	97617	1	97617	1	97617	1	97617	1	97617
21	FLANSCH	1	97066	1	97066	1	97066	1	97066	1	97066
22	GEGENMUTTER, DORN	1	97543	1	97543	1	97543	1	97543	1	97543
23	NIPPEL 1/2	1	97564	1	97564	1	97564	1	97564	1	97564
24	REDUZIERKNIESTÜCK, 1/2 (19 mm) X 3/4 (22 mm)	1	97565	1	97565	1	97565	1	97565	1	97565
25	KUGELVENTIL 3/4	1	97566	1	97566	1	97566	1	97566	1	97566
26	KUPPLUNG	1	97567	1	97567	1	97567	1	97567	1	97567
27	ABSCHLUSSKAPPE	1	97568	1	97568	1	97568	1	97568	1	97568
28	VERBINDUNGSRAHMEN-BAUGRUPPE	N. ZUTR.		2	04481	3	04481	2	04481	3	04481
29	SATZ ROLLEN, VERBINDUNGSRAHMEN MIT GEGENMÜTTERN	N. ZUTR.		4	97570	4	97570	4	97570	4	97570
30	KETTE, VERBINDUNGSBAUGRUPPE (11)	N. ZUTR.		2	97572	3	97572	2	97572	3	97572
31	KETTE, VERBINDUNGSBAUGRUPPE (13)	N. ZUTR.		1	97573	1	97573	1	97573	1	97573
32	KETTE, VERBINDUNGSBAUGRUPPE (19)	1	97576	N. ZUTR.		N. ZUTR.		N. ZUTR.		N. ZUTR.	
33	AUFKLEBER, WARNHINWEIS	1	97574	1	97574	1	97574	1	97574	1	97574
34	AUFKLEBER, PFEIL	1	97575	1	97575	1	97575	1	97575	1	97575
35	BAUGRUPPE „KNOPF UND SCHRAUBE“	1	97578	1	97578	1	97578	1	97578	1	97578
36	BAUGRUPPE „KETTE/SPANNSCHLOSS“	1	97580	1	97579	1	97579	1	97579	1	97579
37	WASSERTANK	1	40177	1	40159	1	40159	N. ZUTR.		N. ZUTR.	
38	WASSERANSCHLUSSSCHLAUCH MIT ARMATUREN	1	97581	1	97581	1	97581	N. ZUTR.		N. ZUTR.	
39	GRIFF, ALUMINIUM 12" (279 mm)	1	97582	1	97582	1	97582	1	97582	1	97582
40	SCHMIERÖLMENGE (LUFTMOTOR)	1	97583	1	97583	1	97583	1	97583	1	97583
41	FILTER-REGLER-SCHMIERVORRICHTUNG MIT STÄNDER	1	97591	1	97591	1	97591	1	97591	1	97591
42	SATZ SECHSKANTSCHLÜSSEL	1	40156	1	40156	1	40156	1	40156	1	40156
43	WERKZEUGKÖFFER	1	40384	1	97586	1	97586	1	97586	1	97586
44	FETTPRESSE	1	97587	1	97587	1	97587	1	97587	1	97587
45	SCHMIERROHR	1	97588	1	97588	1	97588	1	97588	1	97588
46	KEILE, KISTE NR. 8010	1	97589	1	97589	1	97589	1	97589	1	97589
47	SCHRAUBENSCHLÜSSEL, 3/4 (19 mm) X 7/8 (22 mm)	2	97590	2	97590	2	97590	2	97590	2	97590
48*	ABZIEHSTAB (DIAMANTSCHNEIDBLATT)		97595		97595		97595	N. ZUTR.		N. ZUTR.	
49*	DORN, LANG (BEI GEHRUNG VERWENDEN)		97561		97561		97561	N. ZUTR.		N. ZUTR.	
50*	UMRÜSTSATZ FÜR DRUCKLUFTFILTER		47506		47506		47506		47506		47506
51	Schneidblatt 6" (152 mm) PE*	N. ZUTR.		N. ZUTR.		N. ZUTR.		1	97520	1	97520
52	Schneidblatt 8" (203 mm) PE*	N. ZUTR.		N. ZUTR.		N. ZUTR.		1	97521	1	97521
53	GEHRUNGSSCHNEIDER FÜR PVC-ROHRE*		97511		97511		97511	N. ZUTR.		N. ZUTR.	

SCHRAFFIERTER BEREICH – NICHT ABGEBILDET

\* KEIN STANDARD

## — INDICE —

<b>I. ISTRUZIONI DI SICUREZZA E AVVERTENZE</b>	2	<b>IV. FUNZIONAMENTO</b>	5, 6
<b>II. DESCRIZIONE/CAPACITÀ</b>	2, 3	<b>V. MANUTENZIONE</b>	6
<b>III. ASSEMBLAGGIO</b>	3, 4, 5	<b>VI. ELENCO PARTI DI RICAMBIO</b>	7

## I. ISTRUZIONI DI SICUREZZA E AVVERTENZE

### A. Osservare sempre quanto segue:

1. General Industry Safety & Health Regulations, rilasciate da OSHA.
2. Specifica ANSI Ns. B186.1, B7.
3. Norme statali e locali.

### B. Forma abbreviata delle norme sopra citate:

Queste norme non sono esaustive, pertanto occorre esaminare e osservare tutte le regolamentazioni di cui sopra.

1. Prima di montare la tagliatubi è necessario controllare la velocità di taglio.
2. Utilizzare un tachimetro  
La velocità effettiva non deve superare la velocità nominale.
3. Eseguire dei controlli di velocità nei casi seguenti.
  - a. Quando viene fornito un utensile da utilizzare.
  - b. Dopo ogni riparazione di utensili.
4. Utilizzare gli utensili esclusivamente per gli scopi previsti
5. Testare e utilizzare gli utensili a una pressione massima di 90 PSIG. L'unica eccezione è costituita da utensili per i quali si raccomandano valori diversi.
6. Utilizzare componenti per linee pneumatiche raccomandati Essi comprendono i filtri della linea d'aria, regolatori e lubrificatori.
7. Arrestare immediatamente l'unità nei casi seguenti.
  - a. Quando si sentono rumori anomali
  - b. Quando si avvertono vibrazioni inusuali (consultare la Sezione III per controllare la procedura di montaggio corretta).
8. Controllare la velocità nominale della lama Essa deve essere pari o superiore alla velocità nominale del motore pneumatico.
9. Montare la lama secondo le norme indicate. Fare riferimento alla Sezione IIIA - IIIB.
10. Controllare la lama
  - a. Fare riferimento alle norme sopra citate. (Sezione 1A)
  - b. Scartare se scheggiata, rotta o altrimenti danneggiata.
11. Montare la protezione della lama adeguata
  - a. Fare riferimento alla Sezione IIIC.
  - b. Esempio di etichetta di avviso:

## WARNING / ADVERTENCIA

### HIGH SPEED ROTATING BLADE

Can cause severe personal injury. Keep hands clear of blade while saw is running.

DO NOT operate this unit without blade guard in place.

### HQJA GIRATORIA DE ALTA VELOCIDAD

Puede causar lesiones personales graves. Aleje las manos de la hoja cuando la sierra esté en funcionamiento.

NO opere esta unidad si la guarda de la hoja no está en su lugar.



0820-50218

DO NOT use this cutter on AC pipe or FRP (GRP) pipe. Free asbestos fibers and/or fiberglass fibers may be hazardous to your health.

NO use este cortador en tuberías de asbesto o tuberías reforzadas con fibra de vidrio. Las fibras de asbesto y/o de fibra de vidrio que se desprenden y vuelan libres pueden ser peligrosas para su salud.

Reed Manufacturing, Erie, PA USA www.reedmfgco.com

### AVVERTENZA

LAMA ROTANTE AD ALTA VELOCITÀ

Può causare lesioni personali. Tenere le mani lontano dalla lama mentre la sega è in funzione.

NON utilizzare questa unità quando la protezione della lama non è fissata correttamente.

NON utilizzare questa tagliarina su tubi AC o FRP (GRP). La presenza di fibre libere di amianto e/o di fibre di vetro può risultare dannosa per la salute.

12. Indossare sempre i dispositivi di protezione mentre l'utensile è in uso
  - a. Fare riferimento alle suddette norme (Sezione 1A) relative a occhiali, visiere di protezione e altri indumenti protettivi.
  - b. Indossare le protezioni per l'udito adeguate così da ridurre il rumore fino a livelli accettabili.
13. Seguire un programma di sicurezza Consultare le specifiche ANSI e OSHA per le procedure di ispezione e manutenzione.

**AVVERTENZA: La mancata osservanza di tutte le norme di sicurezza può provocare lesioni gravi.**

## II. DESCRIZIONE

### A. Modello della tagliatubi: UPC 616A, 616AP, 636A, 648A, 836APE e 848APE

**NOTA: I modelli UPC836APE e UPC848APE sono destinati specificamente all'uso su tubi in PE (polietilene ad alta densità). Le lame aventi un diametro maggiore (diametro 8") possono tagliare tubi in polietilene con spessore di parete fino a 2,65" (69 mm). Quando dotati di lama per PVC, possono essere utilizzati anche su tubi in plastica PVC. I modelli UPC836APE e UPC848APE non vengono forniti con un sistema di pressurizzazione dell'acqua e non possono essere impiegati per tubi che richiedono una lama raffreddata ad acqua, come i tubi in ghisa, fusi in fossa, in ferro dolce, argilla o calcestruzzo.**

### B. Specifiche del motore:

Potenza erogata dall'unità tagliatubi = 1,7 HP (1,3 kW)

Giri massimi = 3675

Consumo di aria = 50 piedi cubi/min. (1,4 m<sup>3</sup>/min.)

Pressione = 90 psi Massima (6 bar)

Interruzione = valvola a sfera 3/4"

Raccordi di alimentazione aria = accoppiamento Dixon "Air King" 3/4"

### C. Portata di taglio dei tubi:

UPC616A	6" - 16" nominale (diam. esterno 150- 450 mm)
UPC636A	6" - 36" nominale (diam. esterno 150 - 1000 mm)
UPC648A	6" - 48" nominale Tubo (diam. esterno 150 - 1300 mm)
UPC836APE	8" - 36" nominale SOLO tubo PE (diam. esterno 200 - 1000 mm)
UPC848APE	8" - 48" nominale SOLO tubo PE (diam. esterno 200 - 1300 mm)

### D. Smussatura:

Smussatura determinata in base alla fresa conica utilizzata.  
Disponibile tramite ordini speciali.

### E. Profondità di taglio massima

Lama 4" = 23/32" (18,3 mm)
Lama 6" = 1 23/32" (43,6 mm)
Lama in acciaio 4" = 1/2" (12,7 mm)
Lama in acciaio 6" = 1/2" (12,7 mm)
Lama PE 8" = 2 23/32" (69 mm)

### F. Attrezzatura standard

Attrezzatura standard	UPC616A	UPC636A	UPC648A	UPC836APE	UPC848APE
Taglierina alimentata con 1,7 HP Motore	SI	SI	SI	SI	SI
Gruppo catena/tenditore	SI	SI	SI	SI	SI
taglio fino a 16					
Telai di connessione e catena per taglio fino a	NO	36"	48"	36"	48"
Filtro/Regolatore/Lubrificatore con supporto	SI	SI	SI	SI	SI
Serbatoio acqua	3 galloni	6 galloni con carro	6 galloni con carro	NO	NO
Custodia di trasporto	SI	SI	SI	SI	SI
Olio linea pneumatica	SI	SI	SI	SI	SI
Pistola di ingrassaggio con grasso per ingranaggi	SI	SI	SI	SI	SI
Set chiavi esagonali	SI	SI	SI	SI	SI
Chiavi aperte	SI	SI	SI	SI	SI
Cunei	SI	SI	SI	SI	SI
Lama UPCSTEEL6 6	NO	NO	NO	SI	SI
Lama UPCPE8 8"	NO	NO	NO	SI	SI

### G. Accessori opzionali/lame

Consultare lo SCHEMA DI SELEZIONE DELLE LAME per scegliere la lama più adatta all'applicazione. (vedere di seguito)

### H. Attrezzature ausiliarie richieste:

Compressore d'aria in grado di sostenere 50 SCFM a 90 psi.  
Tubazioni dotate di raccordi compatibili. Dovendo utilizzare raccordi diversi da quelli forniti con il motore, accertarsi che siano del tipo a sezione totale così da sfruttare al massimo la velocità del motore.

## III. MONTAGGIO

### A. Installazione della lama

1. Selezionare la lama in base allo schema riportato di seguito
2. Installare le lame

SCHEMA DI SELEZIONE DELLE LAME			Diametro tubo	Materiale tubo
N. catalogo	Codice articolo	Descrizione		
UPCARB4	97510	LAME da 4" tagliano spessori di parete fino a 23/32" (18,3 mm)	6" (150 mm)	PVC
UPCBPVC*	97511	Fresa conica per PVC	6" - 48" (150-1300 mm)	PVC
UPCARB6	97514	LAME da 6" tagliano spessori di parete fino a 1 23/32" (43,7 mm)	8" - 48" (200-1300 mm)	PVC
UPCSTEEL4	97519	LAME da 4" tagliano spessori di parete fino a 1/2" (12,7 mm)	6" - 8" (150-200 mm)	Acciaio
		LAME da 4" tagliano spessori di parete fino a 23/32" (18,3 mm)	6" - 8" (150-200 mm)	PE
UPCSTEEL6	97520	LAME da 6" tagliano spessori di parete fino a 1/2" (12,7 mm)	8" - 48" (200-1300 mm)	Acciaio
		LAME da 6" tagliano spessori di parete fino a 1 23/32" (43,7 mm)	8" - 48" (200-1300 mm)	PE
UPCPE8**	97521	LAME da 8" tagliano spessori di parete fino a 2 23/32" (69 mm)	26" - 48" (660-1300 mm)	PE
UPCDIA4	97529	LAME da 4" tagliano spessori di parete fino a 23/32" (18,3 mm)	6" - 8" (150 - 200 mm)	Ghisa, fusione in fossa, ferro dolce, argilla, calcestruzzo
UPCDIA6	97525	LAME da 6" tagliano spessori di parete fino a 1 23/32" (43,7 mm)	8" - 48" (200-1300 mm)	Ghisa, fusione in fossa, ferro dolce, argilla, calcestruzzo

\* Impiego con lame taglienti UPCARB4 o UPCARB6. Si richiede l'albero lungo n. 97561 in quanto questa fresa conica possiede uno spessore lama.

\*\* Questa lama funziona solo con i modelli UPC836 e UPC848.

- a. Albero standard: installare la lama sulla spalla dell'albero di diametro 5/8 (Fig. 2). Installare la flangia con il lato abbassato verso la lama e stringere il controdado. Tenendo una chiave (fornita) sulle parti piatte dell'albero da 7/8, stringere il controdado dell'albero. La lama deve posizionarsi completamente sulla spalla dell'albero ed essere allineata con la superficie dell'albero.

NOTA: Per tagliare solo PVC senza smusso utilizzare il mandrino standard n. 97617 fornito con l'unità.

- b. **Mandrino lungo per taglio e smussatura di PVC**

Per tagliare e smussare contemporaneamente occorre installare la fresa conica (bordo più piccolo verso il motore) sul mandrino lungo n. 97561. In seguito installare la lama sulla spalla dell'albero di diametro 5/8 (Fig. 3). Montare la rondella con il lato abbassato verso la lama, quindi avvitare il controdado. Tenendo una chiave (fornita) sulle parti piatte dell'albero da 7/8, stringere il controdado dell'albero con una chiave da 3/4" (fornita). La lama deve posizionarsi completamente sulla spalla dell'albero ed essere allineata alla fresa conica. *Vedere l'impostazione taglio e smussatura di PVC, Fig. 7 a pag. 34 per ottenere dettagli completi.*

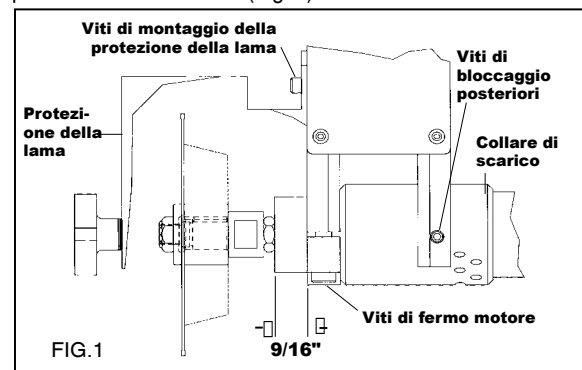
- c. Indicazione per la profondità durante la smussatura: nella lama da 6" il taglio affonda ulteriormente di 1,7" dopo che la lama entra a contatto con il tubo  
nella lama da 4" il taglio affonda ulteriormente di 1,1" dopo che la lama entra a contatto con il tubo

NOTA: La durata operativa della lama dipende dalle condizioni meteorologiche, dal tipo di tubo e dal diametro del tubo, oltre che dai trattamenti esterni del tubo.

ATTENZIONE: Il motore ad aria ruota IN SENSO ANTIORARIO, visto dall'estremità dell'albero. Le lame contrassegnate dalla freccia di rotazione devono essere installate in modo da ruotare in senso antiorario.

### B. Installazione di frese coniche (Fig. 1) - opzionale

1. Controllare la tenuta del motore stringendo le viti di fermo (2) nella parte inferiore dell'unità. (Fig. 1)



2. Ruotare il collare di scarico fino a situare i portelli verso il basso. Collocare le viti di bloccaggio posteriori (2) in modo che tocchino leggermente il collare di scarico. Stringendo le viti di bloccaggio posteriori si provocano danni al motore, inoltre il supporto motore viene curvato.
3. Rimuovere la protezione della lama allentando 2 viti nella parte superiore della protezione. (Fig. 1)
4. Rimuovere il controdado, la rondella e tutte le lame dal mandrino. Fare riferimento alla Fig. 7 a pag. 34.

**AVVERTENZA:**

**Non utilizzare l'unità senza la protezione lama montata.**

**C. Reinstallare la protezione della lama e serrare le viti di montaggio.**

**D. Selezionare la catena e i telai di connessione per l'adattamento al diametro esterno del tubo.**

NOTA: UPC616 impiega il telaio motore e il gruppo catena a 19 maglie/tenditore.

**E. Montaggio dell'unità sul tubo**

1. Allentare la manopola di bloccaggio del supporto motore. (Fig. 4)
2. Arretrare il supporto motore fino alla posizione più alta ruotando la manopola di avanzamento in senso antiorario. (Fig. 4)
3. Collegare il gruppo catena a maglie e tenditore all'unità motore con il fermaglio di sicurezza. Estendere il tenditore fino alla posizione più esterna. (Fig. 5)
4. Collegare il gancio della catena con il fermaglio di sicurezza all'altro lato nell'unità motore. Montare il gancio in posizione verticale.



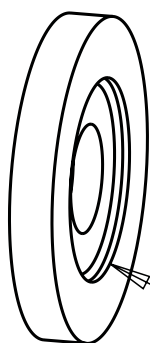
FOTO 2

DIAMETRO NOMINALE TUBO	TELAIO MOTORE	GRUPPO CATENA A 13 MAGLIE CON TENDITORE	GRUPPO CATENA A 11 MAGLIE	TELAIO DI CONNESSIONE
6 – 12 poll.	1	1	—	—
14 – 26 poll.	1	1	1	1
28 – 36 poll.	1	1	2	2
40 – 48 poll.	1	1	3	3



FOTO 1

5. Posizionare l'unità sul tubo fissando stabilmente l'unità motore mentre si avvolge la catena per collegare il gancio sul telaio motore (Foto 2). Stringere il tirante in modo da stabilire l'unità, pur consentendone la rotazione (Foto 2). È necessario montare sempre la taglierina nella sezione di tubo che non viene rimossa.



Particolare della **rondella** dalla Fig. 2 e 3 sulla destra.

Posizionare il lato abbassato verso la lama

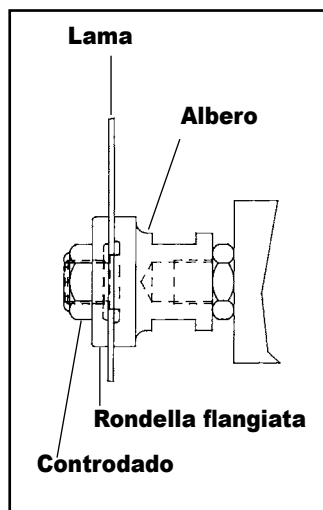


FIG. 2

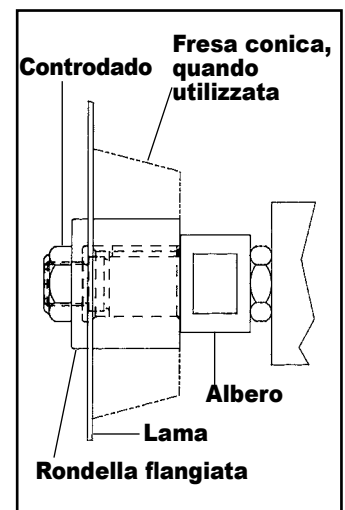


FIG. 3

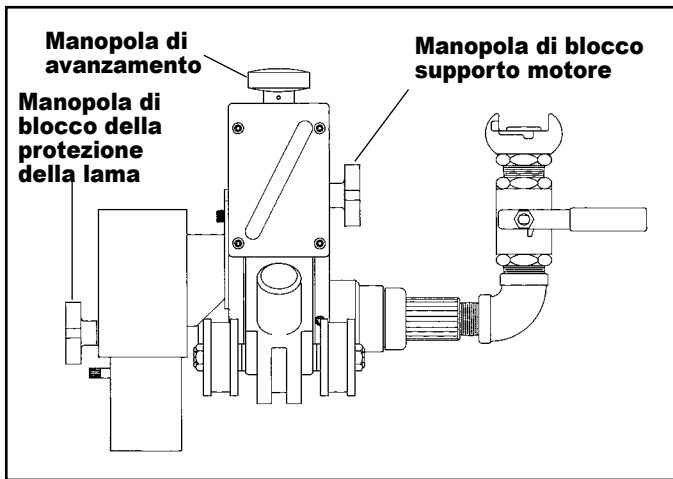


FIG. 4

6. Se il taglio dei tubi richiede i telai di connessione e le catene a 11 maglie (UPC636 e UPC648), preassemblare i ganci della catena ai telai di connessione in alluminio con i ganci catena orientati verso il basso. Tornare al passaggio 5 e accertarsi di spaziare i telai di connessione in maniera equidistante rispetto all'unità motore. (Fig. 5)

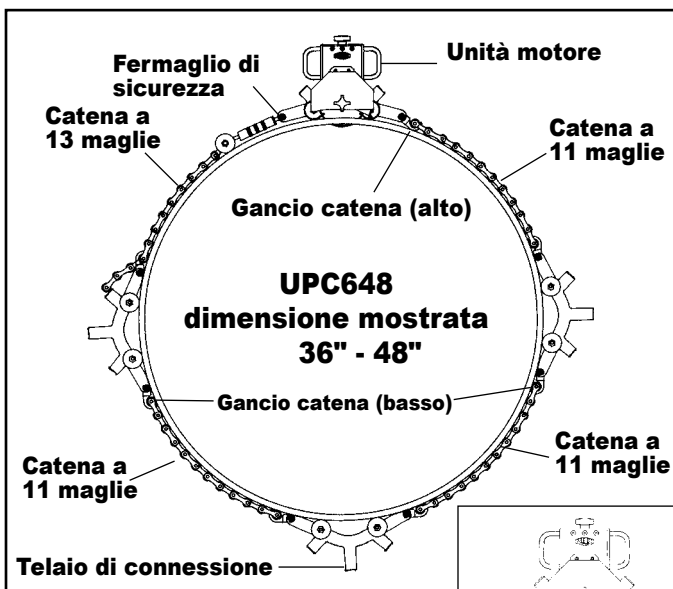
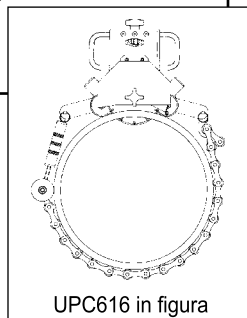


FIG. 5

**F. Allineare la taglierina (provare l'allineamento)**

Ruotare l'unità attorno al tubo (un giro). Per verificare la precisione del percorso, marcare il tubo in uno dei rulli dell'unità motore e ruotare nuovamente l'unità controllando se si trova dentro o al di fuori dei limiti di allineamento. È possibile allineare l'unità battendo leggermente o ripristinando la catena e/o i telai di connessione.



**G. Connessione dell'alimentazione dell'aria**

L'unità è provvista di Street Ell, valvola a sfera e accoppiamento Dixon, tuttavia è possibile usare qualunque combinazione di tubazioni di collegamento all'unità purché tutti i raccordi siano a flusso totale, così da garantire un regime massimo del motore. Realizzare sempre il collegamento al lato dell'aria calda del compressore, quando previsto. In questo modo vengono garantite prestazioni ottime dell'utensile.

**H. Regolare il filtro, regolatore, lubrificatore (FRL)**

Nota: Durante il funzionamento dell'unità tagliatubi è indispensabile utilizzare il filtro, regolatore, lubrificatore. L'aria deve essere pulita, secca e lubrificata in modo da massimizzare la vita operativa e le prestazioni del motore.

1. Prima di procedere alla pressurizzazione, caricare l'ingrassatore con l'olio fornito rimuovendo il grande tappo nero ubicato nella parte superiore. (Non eccedere il limite di carico massimo). Riporre il tappo.
2. Regolare la pressione dell'aria a 90 psi (massimo). Allentare il dado ad alette nella parte inferiore del regolatore, quindi ruotare la manopola grande in senso orario fino a ottenere la pressione.
3. Ruotare la vite di bloccaggio piccola per impostare il gocciolamento dell'olio. Regolare l'ingrassatore a 5-8 gocce al minuto.

**I. Riempire e collegare il serbatoio dell'acqua (non richiesto nelle procedure di taglio di tubi in plastica) alla protezione della lama**

L'acqua viene impiegata per favorire il raffreddamento delle lame di diamante durante il taglio di tubi in ghisa, ferro dolce e argilla. In condizioni di temperature rigide è possibile applicare bassi livelli di calore al serbatoio dell'acqua oppure aggiungere all'acqua un anticongelante non tossico e sicuro per l'ambiente.

**IV. FUNZIONAMENTO**

**A. Posizionare la lama di taglio**

1. Allentare la manopola di blocco della protezione della lama fino a quando la protezione girevole si trova sul tubo.
2. Ruotare la manopola di avanzamento della taglierina in senso orario. (Fig.4) Abbassare il motore e la taglierina fino ad avvicinarli al tubo, senza produrre un contatto. La manopola di blocco del supporto motore deve essere ben fissata, permettendo al contempo lo slittamento del supporto.

**B. Per pressurizzare il serbatoio dell'acqua è necessario osservare le istruzioni fornite con il serbatoio**

Aprire la valvola sul serbatoio. Continuare a pressurizzare il serbatoio durante l'uso.

Nella pagina successiva sono disponibili le istruzioni speciali per il taglio di tubi in acciaio e in PE.

**C. Accendere il motore**

Dopo avere verificato che la linea pneumatica è esente da sporcizia e detriti, collegare il tubo dell'aria al motore. Aprire la valvola a sfera sul motore.

**AVVERTENZA: A questo punto la lama sta ruotando: tenere lontano le mani.**

**D. Alimentare lentamente la lama nel tubo.**

Nota: Un avanzamento veloce può causare condizioni di disallineamento.

1. Prestare attenzione alla posizione dell'indicatore del micrometro di profondità (diviso in decimi di pollici con riferimenti in mm). (Foto 3)
- 2.\* Conoscendo lo spessore del tubo da tagliare, ruotare la manopola di avanzamento in senso orario (Fig. 4) fino a quando l'indicatore segnala la profondità della taglierina desiderata. Lasciare almeno 1/4" della lama oltre la profondità di taglio.

\*A tutto ciò costituisce eccezione l'uso della fresa conica per la plastica, in quanto la taglierina resta impegnata fino a quando la fresa conica inizia a tagliare. A questo punto si potrebbe utilizzare l'indicatore del micrometro di profondità per determinare la quantità di smusso. Un impegno completo produce uno smusso pari a <sup>15</sup>/<sub>16</sub>" (Fig. 4)

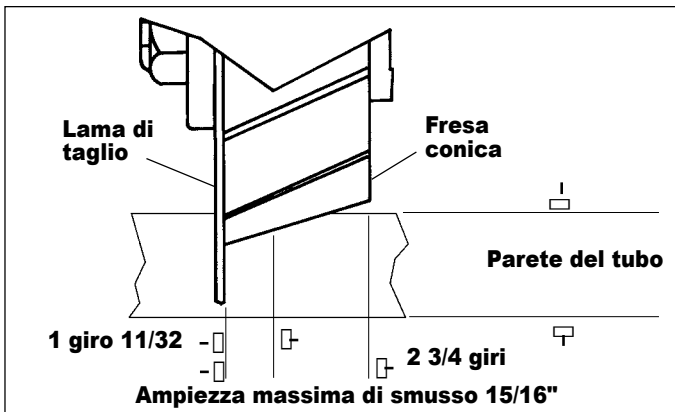


FIG. 6

3. Stringere la manopola di bloccaggio del supporto motore. (Fig. 4)
4. Stringere la manopola di blocco della protezione lama per circa 1/8" dal tubo. (Fig. 4)
5. Ruotare l'unità in direzione della freccia nella parte superiore del supporto motore.
6. Separare i cunei ogni 9-12 pollici.
7. L'unità è in grado di tagliare sotto l'acqua, tuttavia se si ferma è necessario ruotarla nuovamente attraverso il taglio e togliere l'acqua prima di procedere a un nuovo taglio.
8. Durante lo smusso di tubi in plastica, sovrapporre il punto di inizio/fine del taglio per garantire uno smusso completo.
9. Se la lama resta schiacciata nel taglio:
  - a. Scollegare la linea di alimentazione dell'aria dall'unità.
  - b. Aprire la valvola a sfera per garantire lo spurgo completo attraverso il motore.
  - c. Rimuovere la protezione della lama.
  - d. Rimuovere il controdatto e la flangia dall'albero.
  - e. Scollegare la catena.
  - f. Estrarre l'unità motore dalla lama.
  - g. Rimuovere la lama dal tubo sollevando quest'ultimo. Ispezionare la lama per controllare eventuali danni.
10. Se il motore non viene utilizzato di nuovo entro lo stesso giorno, aprire la valvola a sfera, versare una quantità pari a circa un cucchiaino di olio per linee ad aria nel foro di immissione dell'aria e chiudere la valvola a sfera.

#### Uso in tubi in acciaio:

Vengono prodotte delle scintille indipendentemente dal fatto che l'unità di taglio venga utilizzata o meno con acqua per tagliare l'acciaio. L'esecuzione del taglio senza acqua risulta più semplice in quanto i trucioli tendono a cadere lontano dalla zona di lavoro. Tuttavia, l'uso di acqua riduce la quantità di scintille.

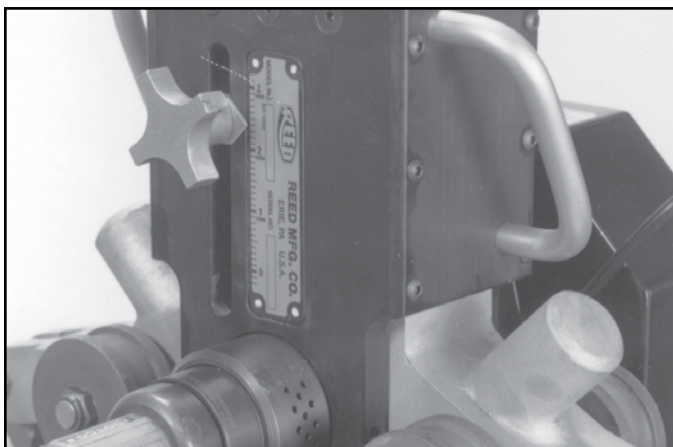
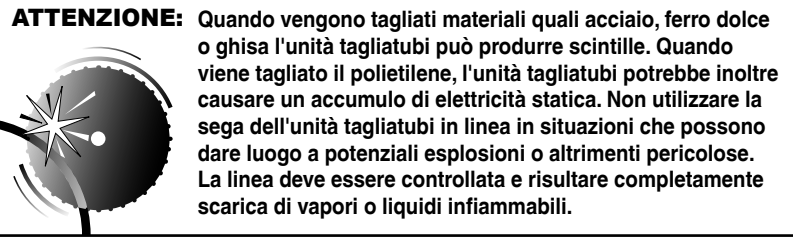


FOTO 3

L'acqua mantiene la lama più fredda tuttavia provoca l'accumulo di trucioli nello spazio di taglio della lama. Ciò aumenta il lavoro a carico della lama, in quanto deve tagliare nuovamente gli stessi trucioli che cadono nell'area di lavoro.

#### Uso con tubi in PE:

Per il polietilene si impiega un taglio secco al 100%. Ruotare verso l'alto il collare di scarico nella parte posteriore dell'unità tagliatubi, in modo che il soffio dello scarico sia diretto verticalmente e non sopra il tubo. Utilizzare un nuovo flessibile dal compressore al gruppo filtro, regolatore, lubrificatore FRL e un nuovo flessibile dal gruppo filtro, regolatore, lubrificatore FRL alla stessa unità tagliatubi. Se viene utilizzato un flessibile nuovo è possibile ridurre significativamente la fuoriuscita di olio. Gli utenti sono inoltre tenuti a pulire regolarmente il collare di scarico in modo da evitare l'accumulo o il gocciolamento dell'olio.



**ATTENZIONE:** Quando vengono tagliati materiali quali acciaio, ferro dolce o ghisa l'unità tagliatubi può produrre scintille. Quando viene tagliato il polietilene, l'unità tagliatubi potrebbe inoltre causare un accumulo di elettricità statica. Non utilizzare la sega dell'unità tagliatubi in linea in situazioni che possono dare luogo a potenziali esplosioni o altrimenti pericolose. La linea deve essere controllata e risultare completamente scarica di vapori o liquidi infiammabili.

## V. MANUTENZIONE

### A. Motore

1. Lubrificazione: Dopo ogni giornata di utilizzo, ingrassare gli ingranaggi planetari con grasso per ingranaggi utilizzando la pistola di ingrassaggio fornita. (Grasso raccomandato: gruppo utensile APEX N. 45-0983). Un foro di 1/4" di fronte al collare di scarico motore segnala la presenza di un punto di ingrassaggio. Il raccordo deve restare orientato verso l'alto quando l'unità motore viene capovolta. Fare riferimento al Bollettino di servizio UPC n. 50498. Si deve inoltre ingrassare il motore prima e dopo l'uso quotidiano (Sezione IV, D. punto 10).
2. Servizio: Consultare il Bollettino di servizio nella parte inferiore del coperchio della custodia di trasporto.

**Nota: Qualora si riscontrino problemi nel motore (come perdite, cali di potenza, ecc.) si raccomanda di non smontare il motore. Tale azione annullerebbe la garanzia del motore. Inviare nuovamente il motore a Reed Manufacturing per la riparazione.**

**B. Quando l'unità non è in uso, coprire la presa d'aria con la giunzione predisposta nell'involucro**

### C. Affilare le lame di diamante

1. Consultare il Bollettino di servizio UPC 50498.

### D. Pulire la lama di carburo abrasiva, se caricata

1. Utilizzare spazzole metalliche o solventi adeguati.
2. Per garantire una vita operativa più duratura si può invertire la direzione della lama.

### E. Affilare la fresa conica/lame in acciaio/PE

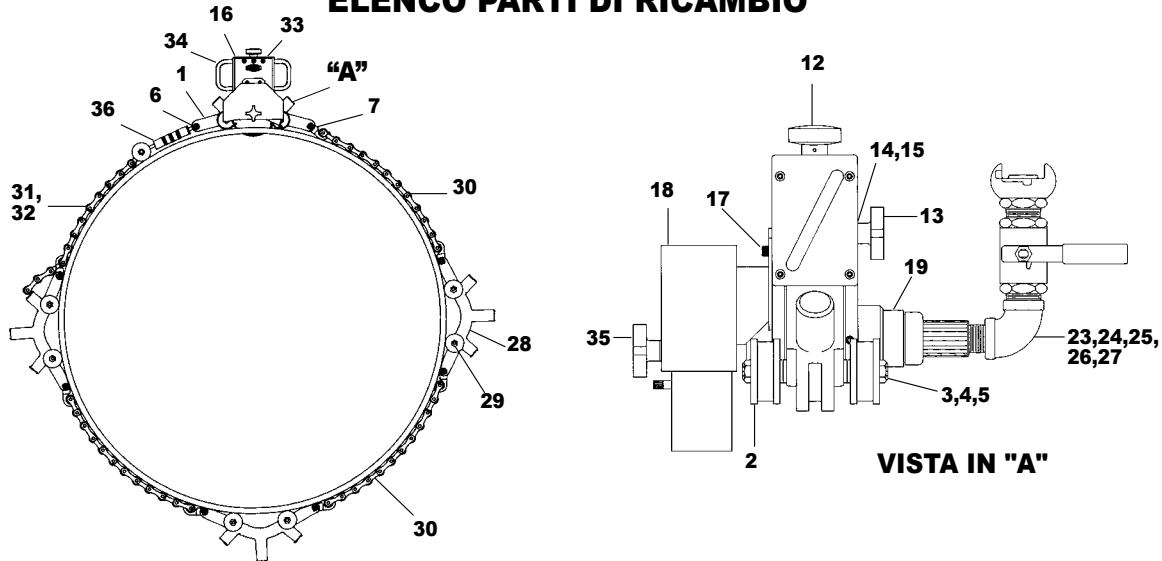
Questa operazione deve essere eseguita da un servizio rettificata utensili professionale.

**F. Lubrificare occasionalmente i fermagli di sicurezza, le maglie della catena, la vite del telaio principale, i perni dei rulli e il gruppo tenditore con un lubrificante idrorepellente (WD-40 o equivalente).**

®WD-40 è un marchio registrato di WD-40 Company.



## ELENCO PARTI DI RICAMBIO



N/P	DESCRIZIONE	UPC616A		UPC636A		UPC648A		UPC836APE		UPC848APE	
		Q.TÀ	N. CAT	Q.TÀ	N. CAT	Q.TÀ	N. CAT	Q.TÀ	N. CAT	Q.TÀ	N. CAT
1	GRUPPO TELAIO MOTORE*	1	97067	1	97067	1	97067	1	97067	1	97067
2	RULLI, TELAIO MOTORE, GRUPPO	4	97541	4	97541	4	97541	4	97541	4	97541
3	PERNO DEL RULLO	2	97542	2	97542	2	97542	2	97542	2	97542
4	CONTRODADI, PERNO DEL RULLO	4	97543	4	97543	4	97543	4	97543	4	97543
5	VITI DI BLOCCAGGIO, PERNO DEL RULLO	4	97544	4	97544	4	97544	4	97544	4	97544
6	FERMAGLIO DI SICUREZZA	2	94477	6	97545	8	97545	6	97545	8	97545
7	GANCIO CATENA	1	97546	5	97546	7	97546	5	97546	7	97546
8	VITE DI AVANZAMENTO	1	97547	1	97547	1	97547	1	97547	1	97547
9	BOCCOLA, VITE DI AVANZAMENTO	1	97548	1	97548	1	97548	1	97548	1	97548
10	VITE DI BLOCCAGGIO, COLLARE	2	40083	2	40083	2	40083	2	40083	2	40083
11	COLLARE	1	93140	1	93140	1	93140	1	93140	1	93140
12	MANOPOLA, AVANZAMENTO	1	97551	1	97551	1	97551	1	97551	1	97551
13	MANOPOLA, BLOCCO MOTORE	1	97552	1	97552	1	97552	1	97552	1	97552
14	RONDELLA, NYLON	1	97553	1	97553	1	97553	1	97553	1	97553
15	INDICATORE	1	97554	1	97554	1	97554	1	97554	1	97554
16	SUPP. MOTORE ASSEMBLAGGIO	1	97555	1	97555	1	97555	1	97555	1	97555
17	VITI, PROTEZIONE DELLA LAMA	2	30004	2	30004	2	30004	N/D		N/D	
18	GRUPPO PROTEZIONE DELLA LAMA	1	97559	1	97559	1	97559	1	07509	1	07509
19	MOTORE, ARIA 1,7 HP	1	97560	1	97560	1	97560	1	97560	1	97560
20	ALBERO, STANDARD	1	97617	1	97617	1	97617	1	97617	1	97617
21	FLANGIA	1	97066	1	97066	1	97066	1	97066	1	97066
22	CONTRODADO, ALBERO	1	97543	1	97543	1	97543	1	97543	1	97543
23	RACCORDO FILETTATO 1/2	1	97564	1	97564	1	97564	1	97564	1	97564
24	GOMITO DI RIDUZIONE 1/2 X 3/4	1	97565	1	97565	1	97565	1	97565	1	97565
25	VALVOLA A SFERA 3/4	1	97566	1	97566	1	97566	1	97566	1	97566
26	GIUNTO	1	97567	1	97567	1	97567	1	97567	1	97567
27	TAPPO TERMINALE	1	97568	1	97568	1	97568	1	97568	1	97568
28	GRUPPO TELAIO DI CONNESSIONE	N/D		2	04481	3	04481	2	04481	3	04481
29	RULLI, TELAIO DI COLLEGAMENTO CON SERIE CONTRODADI	N/D		4	97570	4	97570	4	97570	4	97570
30	CATENA, GRUPPO 11 MAGLIE	N/D		2	97572	3	97572	2	97572	3	97572
31	CATENA, GRUPPO 13 MAGLIE	N/D		1	97573	1	97573	1	97573	1	97573
32	CATENA, GRUPPO 19 MAGLIE	1	97576	N/D		N/D		N/D		N/D	
33	ETICHETTA, AVVERTENZA	1	97574	1	97574	1	97574	1	97574	1	97574
34	ETICHETTA, FRECCIA	1	97575	1	97575	1	97575	1	97575	1	97575
35	GRUPPO MANOPOLA E VITE	1	97578	1	97578	1	97578	1	97578	1	97578
36	GRUPPO CATENA/TENDITORE	1	97580	1	97579	1	97579	1	97579	1	97579
37	SERBATOIO ACQUA	1	40177	1	40159	1	40159	N/D		N/D	
38	FLESSIBILE DELL'IMPIANTO ACQUA CON RACCORDI	1	97581	1	97581	1	97581	N/D		N/D	
39	MANIGLIA, ALLUM. 12"	1	97582	1	97582	1	97582	1	97582	1	97582
40	OLIO LUBRIFICANTE-Q.TÀ (MOTORE ARIA)	1	97583	1	97583	1	97583	1	97583	1	97583
41	FILTRO, REGOLATORE, LUBRIFICATORE CON SUPPORTO	1	97591	1	97591	1	97591	1	97591	1	97591
42	SET CHIAVI ESAGONALI	1	40156	1	40156	1	40156	1	40156	1	40156
43	CUSTODIA DI TRASPORTO	1	40384	1	97586	1	97586	1	97586	1	97586
44	PISTOLA DI INGRASSAGGIO	1	97587	1	97587	1	97587	1	97587	1	97587
45	TUBO DI INGRASSAGGIO	1	97588	1	97588	1	97588	1	97588	1	97588
46	CUNEI, SCATOLA N.8010	1	97589	1	97589	1	97589	1	97589	1	97589
47	CHIAVE, 3/4 X 7/8	2	97590	2	97590	2	97590	2	97590	2	97590
48*	UTENSILE PER RITOCCHI (LAMA DI DIAMANTE)		97595		97595		97595	N/D		N/D	
49*	ALBERO, LUNGO (USO CON BISELLO)		97561		97561		97561	N/D		N/D	
50*	GRUPPO DI RICOSTRUZIONE DEL FILTRO DELL'ARIA		47506		47506		47506		47506		47506
51	LAMA PE 6**	N/D		N/D		N/D		1	97520	1	97520
52	LAMA PE 8**	N/D		N/D		N/D		1	97521	1	97521
53	FRESA CONICA PER PVC*		97511		97511		97511	N/D		N/D	

AREA OMBREGGIATA NON MOSTRATA

\* NON STANDARD

**Aufbau Werkzeug zum Schneiden und Abschrägen von PVC-Rohren, Abb. 7.  
Impostazione taglio e smussatura di PVC, Fig. 7.**

**Einbau von REED Gehrungsschneider und Schneidblatt für PVC-Rohre  
Montaggio della fresa conica REED e della lama per PVC**



97561 UPCLA Langdorn  
Albero lungo UPCLA 97561



97511 UPCBPVC Gehrungsschneider  
für PVC-Rohre  
Fresa conica per  
PVC UPCBPVC 97511



1. Beginnen Sie am Motorblock.  
1. Iniziare dal gruppo motore base



2. Ziehen Sie den Langdorn am Motorblock  
fest.  
2. Serrare il mandrino lungo sul gruppo motore



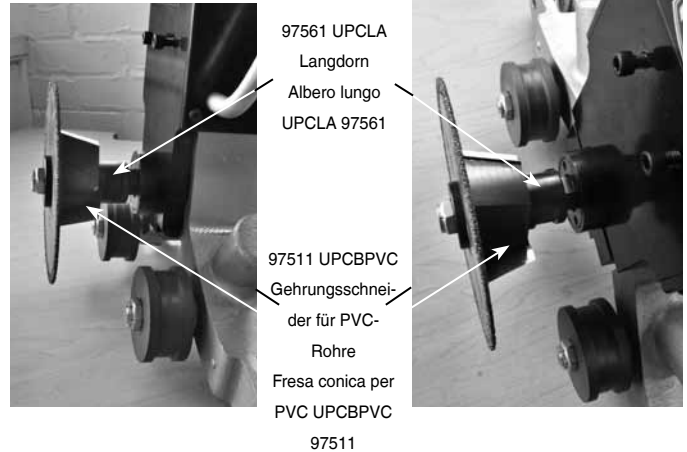
3. Ziehen Sie den Gehrungsschneider für PVC-Rohre am Langdorn fest.  
3. Serrare la fresa conica per PVC sul mandrino lungo



4. Bauen Sie ein Schneidblatt für PVC-Rohre an.  
4. Aggiungere la lama per PVC



5. Schieben Sie Flansch Nr. 97066 auf und ziehen Sie anschließend Flexloc-Mutter Nr. 97543 fest.  
5. Far scorrere la rondella flangiata 97066 quindi serrare il dado Flexloc 97543



97561 UPCLA  
Langdorn  
Albero lungo  
UPCLA 97561

97511 UPCBPVC  
Gehrungsschneider  
für PVC-  
Rohre  
Fresa conica per  
PVC UPCBPVC  
97511



6. Bringen Sie die Schneidblattschutz-Baugruppe an.  
6. Aggiungere il gruppo protezione della lama



## Reed Warranty

REED will repair or replace tools with any defects due to faulty materials or workmanship for one (1) year or five (5) years from the date of purchase, as applicable. This warranty does not cover part failure due to tool abuse, misuse, or damage caused where repairs or modifications have been made or attempted by non REED authorized repair technicians. This warranty applies only to REED tools and does not apply to accessories. This warranty applies exclusively to the original purchaser.

**One (1) year warranty:** Power units for pneumatic, electric, hydraulic and battery-powered tools have a one year warranty. This includes, but is not limited to REED pumps, universal pipe cutter motors, power drives, power bevel tools, threading machines, cordless batteries and chargers.

**Five (5) year warranty:** Any REED tool not specified under the one (1) year warranty above is warranted under the REED five (5) year warranty.

NO PARTY IS AUTHORIZED TO EXTEND ANY OTHER WARRANTY. NO WARRANTY FOR MERCHANTABILITY OR FITNESS FOR A PARTICULAR PURPOSE SHALL APPLY. No warranty claims will be allowed unless the product in question is received freight prepaid at the REED factory. All warranty claims are limited to repair or replacement, at the option of REED, at no charge to the customer. REED is not liable for any damage of any sort, including incidental and consequential damages. This warranty gives you specific legal rights, and you may also have other rights which vary by state, province or country.

**Warranty Effective December 1, 2018**

## Garantía REED

REED reparará o reemplazará las herramientas con cualquier defecto debido a defecto en materiales o mano de obra durante un (1) año o cinco (5) años a partir de la fecha de compra, según corresponda. Esta garantía no cubre las fallas de las piezas debido al abuso, mal uso o daños causados por reparaciones o modificaciones realizadas o intentadas por técnicos de reparación no autorizados por REED. Esta garantía se aplica solo a las herramientas REED y no se aplica a los accesorios. Esta garantía se aplica exclusivamente al comprador original.

**Un (1) año de garantía:** Las unidades de potencia para herramientas neumáticas, eléctricas, hidráulicas y alimentadas por baterías tienen una garantía de un año. Incluye, entre otras cosas, bombas REED, motores universales para cortatubos, motopropulsores, herramientas de biselado, máquinas roscadoras, baterías inalámbricas y cargadores.

**Cinco (5) años de garantía:** Cualquier herramienta REED que no esté especificada bajo la garantía de un (1) año ya mencionada cuenta con la garantía de cinco (5) años de REED.

NINGUNA DE LAS PARTES ESTÁ AUTORIZADA A EXTENDER NINGUNA OTRA GARANTÍA. NO SE APLICARÁ NINGUNA GARANTÍA DE COMERCIABILIDAD O IDONEIDAD PARA UN PROPÓSITO PARTICULAR. No se permitirán reclamos de garantía a menos que el producto en cuestión se reciba en la fábrica de REED con el flete pagado por adelantado. Todos los reclamos de garantía se limitan a la reparación o reemplazo, a elección de REED, sin costo alguno para el cliente. REED no es responsable de ningún daño de ningún tipo, incluyendo daños incidentales y emergentes. Esta garantía le otorga derechos legales específicos y también puede tener otros derechos que varían según el estado, la provincia o el país.

**Garantía efectiva a partir del 1 de diciembre de 2018**

## Garantie REED

REED réparerá ou remplacera les outils présentant des défauts dus à des défauts de matériaux ou de fabrication pendant un (1) an ou cinq (5) ans à compter de la date d'achat, selon le cas. Cette garantie ne couvre pas les pièces défectueuses dues à une utilisation abusive, une mauvaise utilisation ou des dommages causés par des réparations ou des modifications effectuées par des techniciens de réparation non agréés par REED. Cette garantie s'applique uniquement aux outils REED et non aux accessoires. Cette garantie s'applique exclusivement à l'acheteur initial.

**Garantie d'un (1) an :** Les unités de puissance pour outils pneumatiques, électriques, hydrauliques et à piles bénéficient d'une garantie d'un an. Cela inclut, sans toutefois s'y limiter, les pompes REED, les moteurs de coupe-tubes universels, les entraînements électriques, les outils de chanfreinage électriques, les machines à fileter, les batteries sans fil et les chargeurs.

**Garantie de cinq (5) ans :** Tout outil REED non spécifié dans la garantie d'un (1) an ci-dessus est garanti dans la garantie de cinq (5) ans de REED.

AUCUNE PARTIE N'EST AUTORISÉE À ÉTENDRE TOUTE AUTRE GARANTIE. AUCUNE GARANTIE DE QUALITÉ MARCHANDE OU D'ADÉQUATION À UN USAGE PARTICULIER NE S'APPLIQUE.

Aucune réclamation de garantie ne sera acceptée par notre usine de REED sans que son port ait été payé par son expéditeur. Toutes réclamations sous garantie se limitent à la réparation ou le remplacement de l'outil, selon la discrétion de REED et sans frais pour le client. La Société REED n'engage aucune responsabilité, directe ou conditionnelle. La présente garantie confère au propriétaire certains droits auxquels peuvent s'en ajouter d'autres selon l'État ou la province de résidence.

**Garantie en vigueur à compter du 1er décembre 2018**

## REED-Garantie

REED verpflichtet sich – je nach Garantievertrag – für die Dauer von einem (1) Jahr oder fünf (5) Jahren gerechnet ab dem Kaufdatum zum Reparieren oder Ersetzen von Werkzeugen in dem Fall, dass Material- oder Verarbeitungsfehler vorliegen. Diese Garantie deckt nicht den Ausfall einzelner Teile aufgrund von Missbrauch, Fehlgebrauch oder Beschädigung ab, wenn der Ausfall dadurch entsteht, dass Reparatur- oder Umbauarbeiten von Technikpersonal ohne REED-Autorisierung vorgenommen oder versucht werden. Diese Garantie gilt nur für Werkzeuge der Marke REED und erstreckt sich nicht auf Zubehörartikel von REED. Diese Garantie gilt ausschließlich für Erstkäufer.

**Garantiedauer von einem (1) Jahr:** Für Antriebe von pneumatischen, elektrischen, hydraulischen und akkubetriebenen Werkzeugen gilt ein Garantiezeitraum von einem Jahr. Hierunter fallen u.a. die Pumpen von REED, Universal-Rohrschneider-Motoren, Antriebe (elektrisch oder pneumatisch), angetriebenen Anschlagwerkzeuge, Gewindefräßgeräte, kabellosen Akkus sowie Ladegeräte.

**Garantiedauer von fünf (5) Jahren:** Für alle REED-Werkzeuge, für die nicht die oben beschriebene Garantie für die Dauer von einem (1) Jahr angegeben ist, gewährt REED eine Garantie für die Dauer von fünf (5) Jahren.

ES IST UNTERSAGT, HIERVON ABWEICHEND EINE ANDERE GARANTIE ODER EINE GARANTIEERWEITERUNG ANZUBIETEN. ES WIRD KEINE GARANTIE GEWÄHRT FÜR MARKTGÄNGIGKEIT ODER EIGNUNG FÜR EINEN BESTIMMTEN ZWECK.

Garantieansprüche können nur dann geltend gemacht werden, wenn das betreffende Produkt als im Voraus bezahlte Fracht bei REED in der Fertigungsstätte eingeht. Sämtliche Garantieansprüche sind begrenzt auf Reparatur oder Bereitstellung von Ersatzprodukten. Dabei obliegt die Entscheidung für eine dieser beiden Optionen REED als dem Hersteller; dem Kunden entstehen in diesem Zusammenhang keine Kosten. REED ist nicht haftbar zu machen für Beschädigungen, auch nicht für Neben- und Folgeschäden. Diese Garantie verleiht Ihnen bestimmte Rechte, und möglicherweise erhalten Sie abhängig von lokaler Gesetzgebung darüber hinaus weitere Rechte, die sich z. B. von Land zu Land unterscheiden können.

**Diese Garantieregelungen gelten ab dem 1. Dezember 2018**

## Garanzia REED

REED riparerà o sostituirà gli utensili che presentano guasti dovuti a materiali o lavorazione difettosi per un (1) anno o cinque (5) anni dalla data di acquisto, a seconda dei casi. La presente garanzia non copre i guasti alle parti dovuti a impiego illecito degli utensili, uso improprio o danni causati da riparazioni o modifiche eseguite o tentate da tecnici di riparazione non autorizzati da REED. La presente garanzia si applica esclusivamente agli utensili REED e non è riferita agli accessori. La presente garanzia è valida esclusivamente per l'acquirente originale.

**Un (1) anno di garanzia:** le unità di potenza per utensili pneumatici, elettrici, idraulici e alimentati a batteria hanno una garanzia di un anno. Ciò include, ma non solo, pompe REED, motori per tagliatubi universali, trasmissioni di potenza, utensili conici, macchine filettrici, batterie senza fili e caricatori.

**Cinque (5) anni di garanzia:** qualsiasi utensile REED non specificato nella garanzia di un (1) anno sopra riportata è coperto dalla garanzia REED di cinque (5) anni.

NESSUNA DELLE PARTI È AUTORIZZATA A ESTENDERE OGNI ALTRA GARANZIA. NON SI RITIENE VALIDA ALCUNA GARANZIA DI COMMERCIALITÀ O IDONEITÀ PER SCOPI PARTICOLARI.

Le richieste di rimborso in garanzia sono ammesse esclusivamente quando il prodotto in questione viene ricevuto con spedizione prepagata presso lo stabilimento di REED. Tutte le richieste di rimborso in garanzia sono limitate alla riparazione o alla sostituzione, a discrezione di REED, senza alcun costo per il cliente. REED non è responsabile per danni di qualsiasi genere, inclusi danni incidentali e consequenziali. La presente garanzia conferisce all'utente specifici diritti legali e l'utente potrebbe disporre di altri diritti che possono variare in base allo stato, alla provincia o al paese.

**Garanzia in vigore dal 1° dicembre 2018**



**REED MANUFACTURING**

1425 WEST EIGHTH STREET, ERIE, PA 16502 USA

PHONE: 800-666-3691 OR +1-814-452-3691, FAX: 800-456-1697 OR 814-455-1697 [www.reedmfgco.com](http://www.reedmfgco.com)