

264 Series, 3/4 Inch Valves (continued)

● Not serviced separately

264 Series, 1 Inch Valve (continued)

<i>Ref.</i>	<i>Part Number</i>	<i>Qty.</i>	<i>Description</i>	<i>Ref.</i>	<i>Part Number</i>	<i>Qty.</i>	<i>Description</i>
1	363-1493	2	Screw, #10 X 1	12	3-2016	1	Shaft, Idler, Lower, No And Pt
2		1	Solenoid Assy., EI (See Service Item 89-0878)▲	13	1-2035	1	O-Ring, EI, Pr And Cr (0.070" X 0.114" X 0.254") (As568-006)
3	9-6148	1	Spring-Plunger, Solenoid, EI	14	9-7110	1	Spring, Diaphragm, EI And No
4	9-6527	1	Plunger Assy., EI	15	35-2824	1	Diaphragm ASM, 1", EI
5	35-3776	1	Adapter Assy., No	15	35-2943	1	Diaphragm Assy., 1", No Hyd
6	89-8157	1	Cap, 1/4", Poly, No	16	9-6331	1	Support, Diaphragm
7	900-40	1	Retainer, Tube, Pr And Cr◆	17	9-8311	1	Body, M X M, 1", Npt
8	2-9652	1	O-Ring, 7/16" X 5/8", No (As568-111)	18		1	Body, M X B, 1", Npt▲
9		1	Bleed Screw, No▲		89-0878		Solenoid And Plunger Assy., EI (Includes Items 2-4)●■
9	35-2941	1	Bleed Screw Assy., EI, Fast-Closing		35-9354		Bleed Screw Assy., EI, Slow-Closing●■
10	363-4007	8	Screw, #10 X 1.25"				
11	9-8313	1	Cap, Valve W/O Fc, EI				
11	9-7291	1	Cap, Valve, W/O Fc, No And Pt				

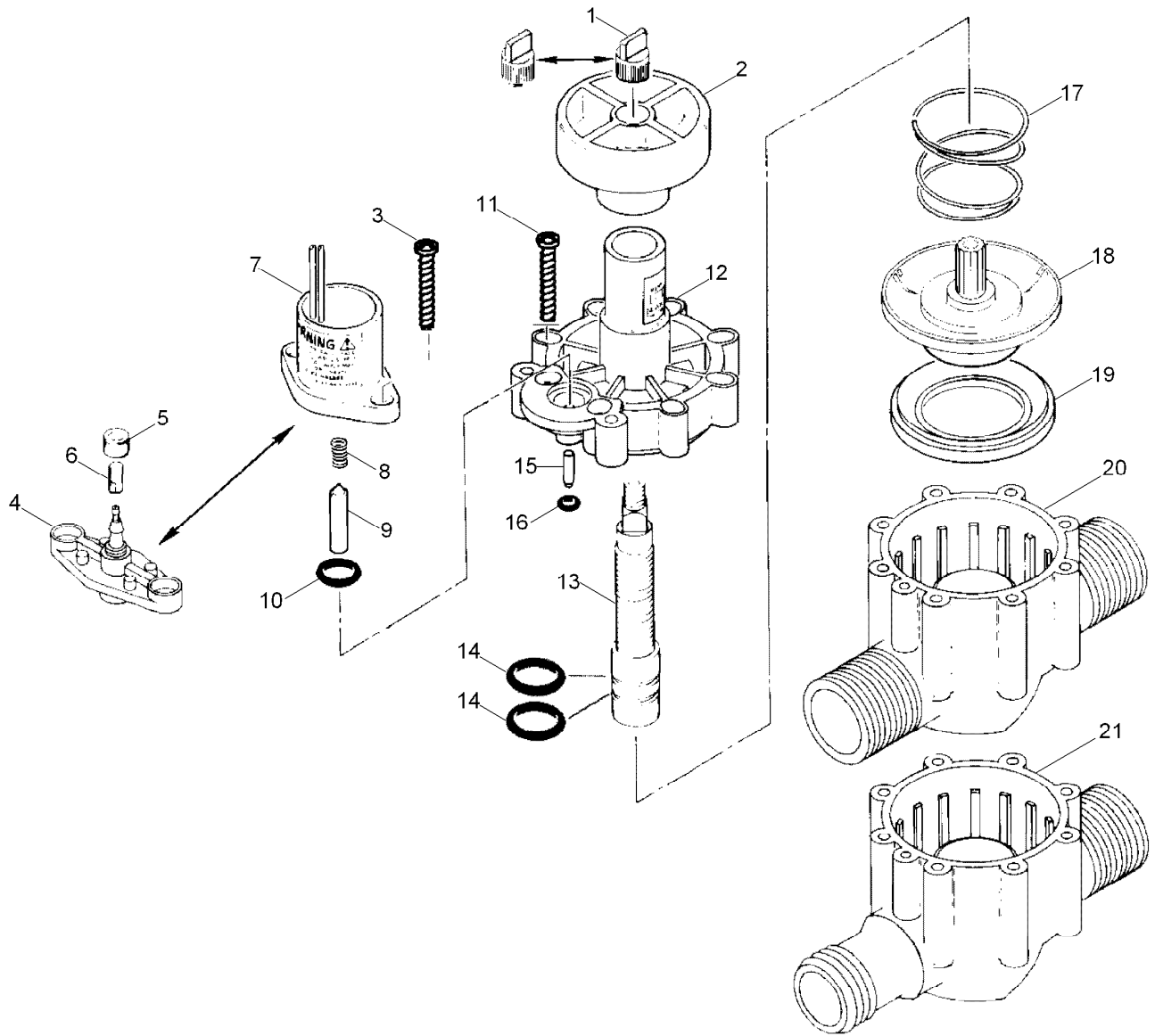
● SERVICE ITEMS

▲ Not serviced separately

◆ Order Through Finished Goods Distribution System - Minneapolis

■ Not illustrated

254 Series, 1 Inch Valves



254 Series, 1 Inch Valves (continued)

<i>Ref.</i>	<i>Part Number</i>	<i>Qty.</i>	<i>Description</i>	<i>Ref.</i>	<i>Part Number</i>	<i>Qty.</i>	<i>Description</i>
1	35-4521	1	Bleed Cap ASM, W/ Pin, El, Fast Closing	15	3-2016	1	Shaft, Idler, Lower, No And Pt
1	35-1748	1	Bleed Cap ASM, W/O Pin, No And Pt	16	1-2035	1	O-Ring, El, Pr And Cr (0.070" X 0.114" X 0.254") (As568-006)
2	35-3777	1	Knob, Handle, Cross	17	9-7110	1	Spring, Diaphragm, El And No
3	363-1493	2	Screw, #10 X 1	18	35-2943	1	Diaphragm Assy., 1", No Hyd
4	35-3776	1	Adapter Assy., No	18	35-2824	1	Diaphragm ASM, 1", El
5	900-40	1	Retainer, Tube, Pr And Cr ♦	19	9-6331	1	Support, Diaphragm
6	89-8157	1	Cap, 1/4", Poly, No	20	9-8311	1	Body, M X M, 1", Npt
7		1	Solenoid Assy., El (See Service Item 89-0878) ▲	21		1	Body Assy., M X B, 1" ▲
8	9-6148	1	Spring-Plunger, Solenoid, El		89-0878		Solenoid And Plunger Assy., El (Include Items 7-9) ●■
9	9-6527	1	Plunger Assy., El		35-0767		Cap Assy., W/Flow Control, No (Includes Items 12-14) ●■
10	2-9652	1	O-Ring, 7/16" X 5/8", No (As568-111)		35-9346		Bleed Cap ASM, W/Pin, Slow-Closing ●■
11	363-4007	8	Screw, #10 X 1.25"		9-8182		Cap, Valve, W/Fc, El (Includes Items 12-14) ●■
12		1	Cap, Valve, W/Fc, El, Fast-Closing ▲				
12		1	Cap Assy. W/Fc, No ▲				
13	35-1983	1	Stem-Flow Control				
14	360-0220	2	O-Ring (0.070 X 0.551 X 0.691) (As568-015)				

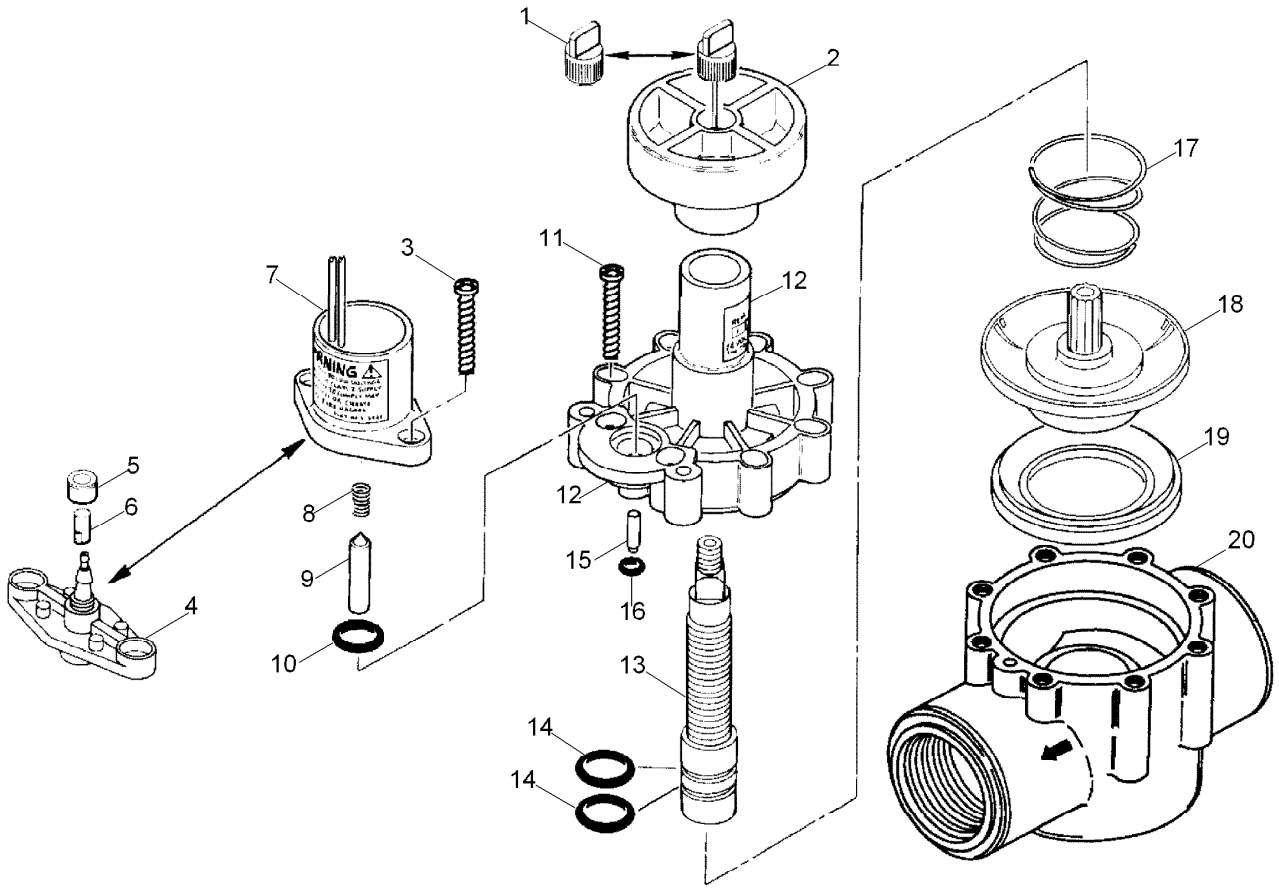
● SERVICE ITEMS

▲ Not serviced separately

♦ Order Through Finished Goods Distribution System - Minneapolis

■ Not illustrated

250 Series, 1 Inch Valve



250 Series, 1 Inch Valve (continued)

<i>Ref.</i>	<i>Part Number</i>	<i>Qty.</i>	<i>Description</i>	<i>Ref.</i>	<i>Part Number</i>	<i>Qty.</i>	<i>Description</i>
1	35-4521	1	Bleed Cap ASM, W/ Pin, El, Fast Closing	17	9-4425	1	Spring, Diaphragm, Pt
1	35-1748	1	Bleed Cap ASM, W/O Pin, No And Pt	17	9-7110	1	Spring, Diaphragm, El And No
1	89-7855	1	Bleed Cap ASM, W/O Pin, No And Pt, Effluent	18	35-2943	1	Diaphragm Assy., 1", No Hyd
2	35-3777	1	Knob, Handle, Cross	18	35-2824	1	Diaphragm ASM, 1", El
3	363-1493	2	Screw, #10 X 1	18	35-3655	1	Diaphragm Assy., 1", Pt
4	35-3776	1	Adapter Assy., No	19	9-6331	1	Support, Diaphragm
5	900-40	1	Retainer, Tube, Pr And Cr □	20		1	Body Assy., In-Line Globe, Npt ▲
6	89-8157	1	Cap, 1/4", Poly, No	20	35-1970	1	Body Assy., In-Line Globe, Bsp
7		1	Solenoid Assy., El (See Service Item 89-0878) ▲		89-0878		Solenoid And Plunger Assy., El (Includes Items 7-9) ●■
8	9-6148	1	Spring-Plunger, Solenoid, El		35-3503		Diaphragm ASM, El, Service Kit ◆■
9	9-6527	1	Plunger Assy., El				Screen, Filter, 3/4" (Use With 35-3503 Diaphragm Assy) ●■▲
10	2-9652	1	O-Ring, 7/16" X 5/8", No (As568-111)		9-6548		Plug, Communication, Diaphragm (Use With 35-3655 Diaphragm Assy., Pt) ●■
11	363-1493	8	Screw, #10 X 1				Cap, Valve, W/Fc, El (Includes Items 12-14) ●■
12		1	Cap Assy., El (See Service Item 9-8182) ▲				Cap Assy., No Nd Pt (Includes Items 12-14) ●■
12		1	Cap Assy., No & Pt (See Service Item 35-0767) ▲		9-8182		Bleed Cap ASM, W/Pin, Slow-Closing ●■
13	35-1983	1	Stem-Flow Control		35-0767		
14	360-0220	2	O-Ring (0.070 X 0.551 X 0.691) (As568-015)		35-9346		
15	3-2016	1	Shaft, Idler, Lower, No And Pt				
16	1-2035	1	O-Ring, El, Pr And Cr (0.070" X 0.114" X 0.254") (As568-006)				

● SERVICE ITEMS

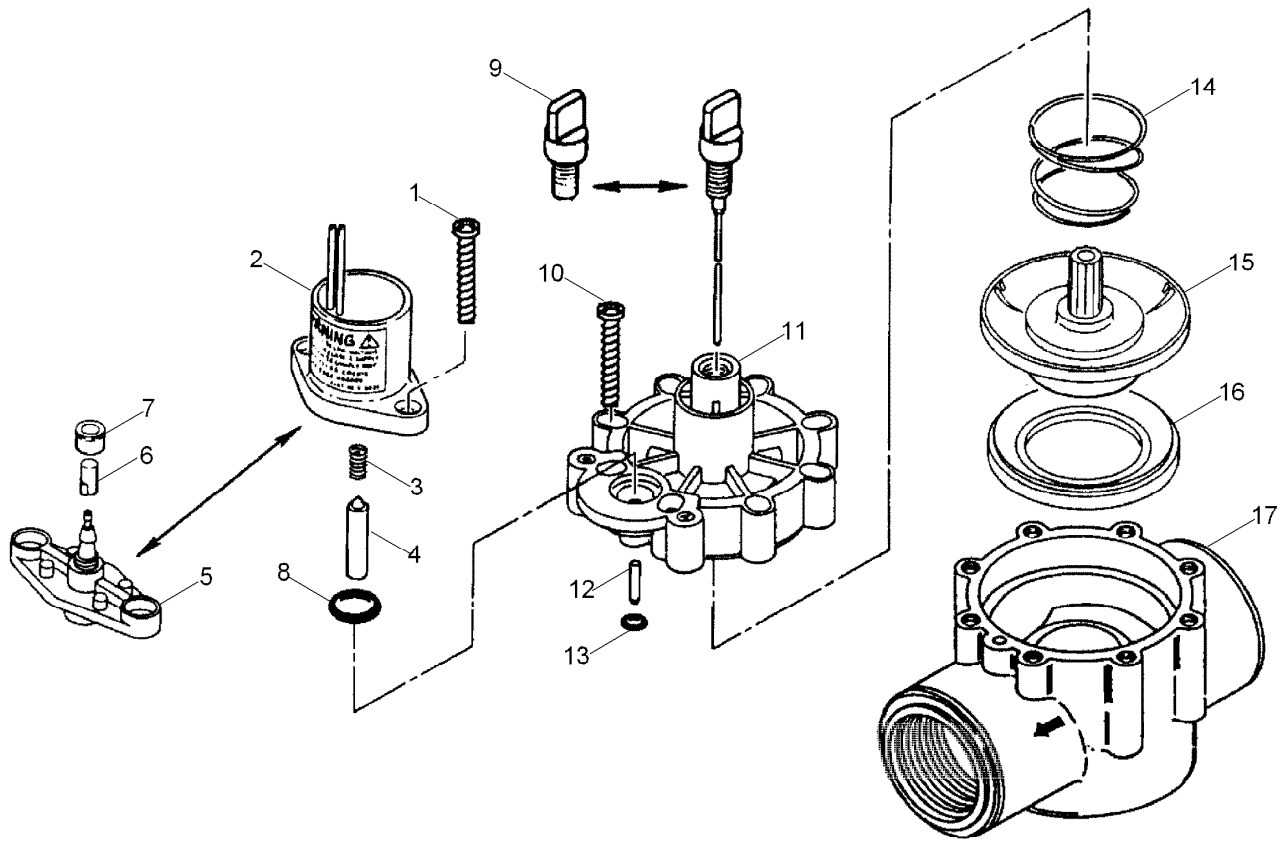
▲ Not serviced separately

□ Order Through Finished Goods Distribution System - Minneapolis

■ Not illustrated

◆ (See Service Items: Nozzle/Stator Assy.)

260 Series, 1 Inch Valve



260 Series, 1 Inch Valve (continued)

<i>Ref.</i>	<i>Part Number</i>	<i>Qty.</i>	<i>Description</i>	<i>Ref.</i>	<i>Part Number</i>	<i>Qty.</i>	<i>Description</i>
1	363-1493	2	Screw, #10 X 1	15	35-2943	1	Diaphragm Assy., 1", No Hyd
2		1	Solenoid Assy. (See Service Item 89-0878) ▲	15	35-2824	1	Diaphragm ASM, 1", EI
3	9-6148	1	Spring-Plunger, Solenoid, EI	15	35-3655	1	Diaphragm Assy., 1", Pt
4	9-6527	1	Plunger Assy., EI	16	9-6331	1	Support, Diaphragm
5	35-3776	1	Adapter Assy., No	17		1	Body Assy., Globe, Npt ▲
6	89-8157	1	Cap, 1/4", Poly, No	17	35-1970	1	Body Assy., In-Line Globe, Bsp
7	900-40	1	Retainer, Tube, Pr And Cr ♦		89-0878		Solenoid And Plunger Assy., EI (Includes Items 2-4) ●■
8	2-9652	1	O-Ring, 7/16" X 5/8", No (As568-111)		35-3503		Diaphragm ASM, EI, Service Kit ●■
9	35-2941	1	Bleed Screw Assy., EI, Fast-Closing				Screen, Filter, 3/4" (Use With 35-3503 Diaphragm Assy) ●■▲
9		1	Bleed Screw, No & Pt ▲		9-6548		Plug, Communication, Diaphragm (Used With 35-3655) ●■
10	363-1493	8	Screw, #10 X 1		35-9354		Bleed Screw Assy., EI, Slow-Closing ●■
11	9-8313	1	Cap, Valve W/O Fc, EI		9-6548		Plug, Communication, Diaphragm (Used With 35-3655) ●■
11	9-7291	1	Cap, Valve, W/O Fc, No And Pt		35-9354		Bleed Screw Assy., EI, Slow-Closing ●■
12	3-2016	1	Shaft, Idler, Lower, No And Pt				
13	1-2035	1	O-Ring, EI, Pr And Cr (0.070" X 0.114" X 0.254") (As568-006)				
14	9-7110	1	Spring, Diaphragm, EI And No				
14	9-4425	1	Spring, Diaphragm, Pt				

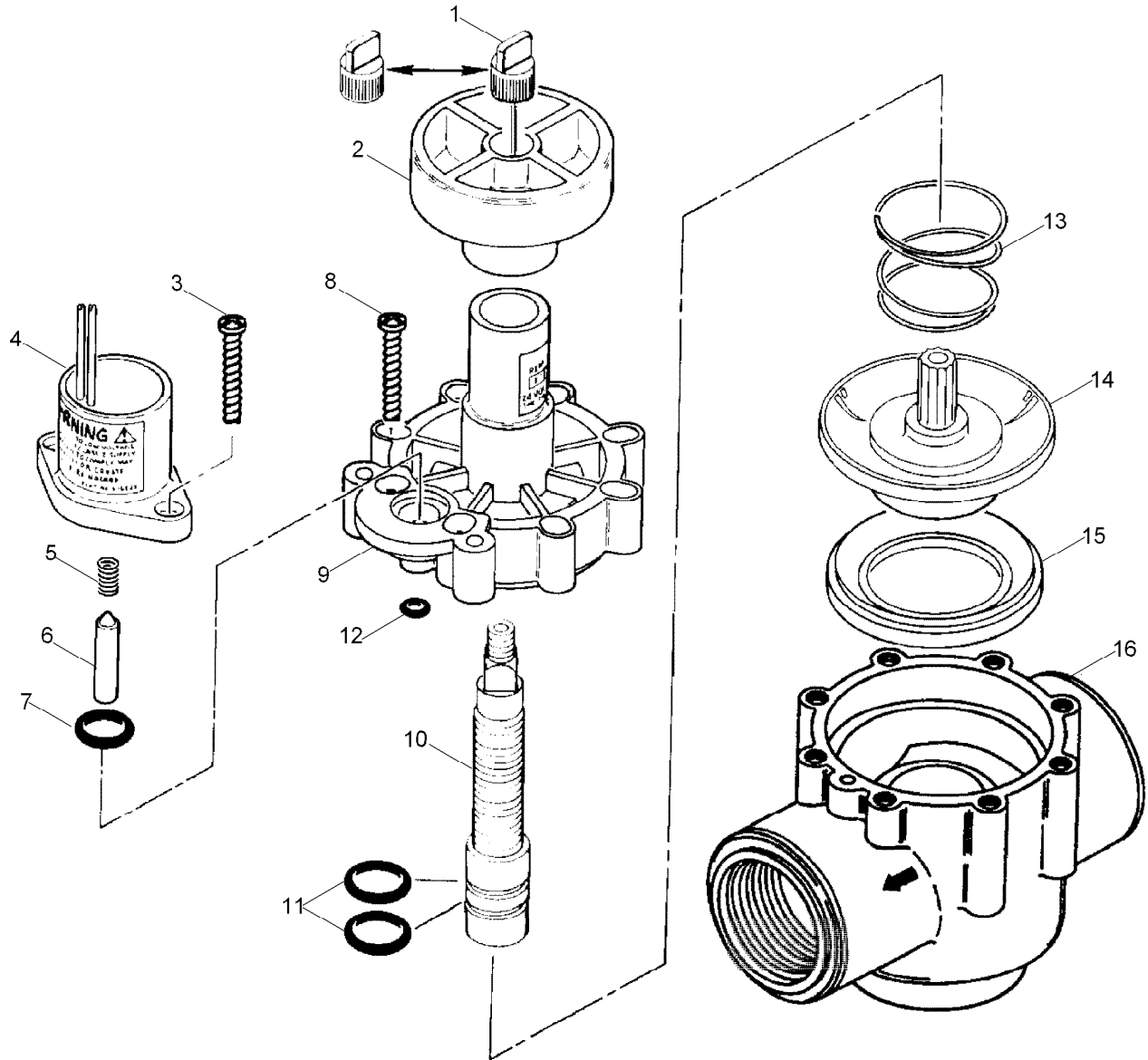
● SERVICE ITEMS

▲ Not serviced separately

♦ Order Through Finished Goods Distribution System - Minneapolis

■ Not illustrated

252 Series, 1 Inch Valves



252 Series, 1 Inch Valves (continued)

<i>Ref.</i>	<i>Part Number</i>	<i>Qty.</i>	<i>Description</i>	<i>Ref.</i>	<i>Part Number</i>	<i>Qty.</i>	<i>Description</i>
1	35-4521	1	Bleed Cap ASM, W/ Pin, El, Fast Closing	13	9-7110	1	Spring, Diaphragm, El And No
1	35-1748	1	Bleed Cap ASM, W/O Pin, No And Pt	14	35-2824	1	Diaphragm ASM, 1", El
2	35-3777	1	Knob, Handle, Cross	15	9-6331	1	Support, Diaphragm
3	363-1493	2	Screw, #10 X 1	16		1	Body Assy., 1", Npt ▲
4		1	Solenoid Assy. (See Service Item 89-0878) ▲	16		1	Body Assy., 1", Bsp ▲
5	9-6148	1	Spring-Plunger, Solenoid, El	N/I		1	Plug, Pipe, 1" ▲■
6	9-6527	1	Plunger Assy., El	89-7855			Bleed Cap ASM, W/O Pin, No And Pt, Effluent ●■
7	2-9652	1	O-Ring, 7/16" X 5/8", No (As568-111)	89-0878			Solenoid And Plunger Assy., El (Includes Items 4-6) ●■
8	363-1493	8	Screw, #10 X 1	9-8182			Cap Assy. (Includes Items 9-11) ●■
9		1	Cap Assy., El, W/Fc (See Service Item 35-8182) ▲	35-3503			Diaphragm ASM, El, Service Kit ●■
10	35-1983	1	Stem-Flow Control				Screen, Filter, 3/4" (Use With 35-3503 Diaphragm Assy) ●▲■
11	360-0220	2	O-Ring (0.070 X 0.551 X 0.691) (As568-015)	35-9346			Bleed Cap ASM, W/Pin, Slow-Closing ●■
12	1-2035	1	O-Ring, El, Pr And Cr (0.070" X 0.114" X 0.254") (As568-006)				

● SERVICE ITEMS
▲ Not serviced separately

■ Not illustrated