



Buy it for looks. Buy it for life.®

# Specifications


## DESCRIPTION

- Metal construction with various finishes identified by suffix

## OPERATION

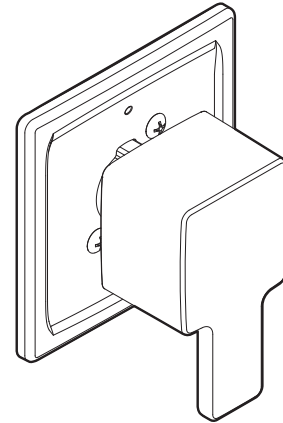
- Rotational control with 180° of rotation with stops

## STANDARDS

- Third party certified to ASME A112.18.1/CSA B125.1 and all applicable requirements referenced therein
- **ADA**  for lever handle

## WARRANTY

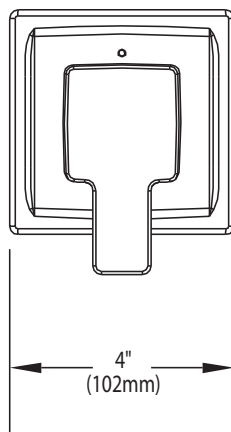
- Lifetime limited warranty against leaks, drips and finish defects to the original consumer purchaser
- 5 year warranty if used in commercial installations



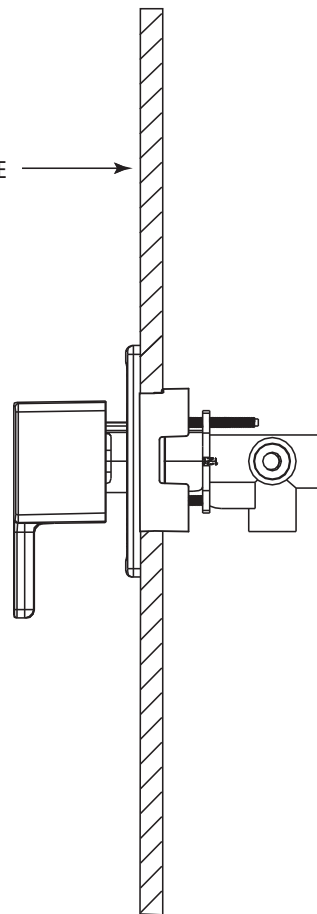
### 3-Function Transfer Valve Trim Kit

**Models:** TS4172 series

**Valve:** 3372



FINISHED WALL LINE →



## CRITICAL DIMENSIONS

(DO NOT SCALE)