

FOR NON-FREEZING AREAS ONLY.

360° SWIVEL INLET

The Model 79, B79 and RB79 are backflow protected wall hydrants designed for irrigation purposes in mild climate areas or within temperature controlled buildings. The Model 79 is only 2-5/8" deep and fits inside a stud wall. The B79 fits inside a 4" wall.

SPECIFICATIONS:

HOSE CONNECTION BACKFLOW PREVENTER –

- NIDEL® Model 37HF with 3/4 inch male hose thread
- ASSE Standard 1052 approved
- IAPMO® listed
- Field Testable
- Two check valves

VALVE SEAT – Permanent type brass valve body with hemispherical seating surface.

STEM – Hardened stainless steel stem resists damage.

PACKING – EPDM rubber with adjustable packing nut.

TEE KEY – Loose key operates hydrant.

INLET – 3/4" female pipe thread. Inlet swivels 360° to any position.

MAX PRESSURE – 125 p.s.i.

MAX TEMPERATURE - 120° F

OPTIONS - RK Bracket Kit

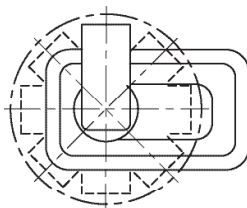
SHIPPING WEIGHT – **Model 79:** 3.4 lbs.
Model B79: 10.5 lbs.
Model RB79: 8.2 lbs.

For Installation / Troubleshooting Instructions go to www.woodfordmfg.com or call 1-800-621-6032

Specify as follows:

Wall hydrant shall be Woodford Model 79 (exposed type), B79 or RB79 (concealed box type), with backflow preventer listed by ASSE and IAPMO. 3/4" inlet and outlet. 360° inlet orientation. Hardened stainless steel operating stem. Packing nut secured with lock nut. Permanent type valve body with large hemispherical seating surface. Exterior finish to be Chrome Plated (options: Polished Brass or Rough Brass). Loose tee key to be furnished with each hydrant.

360 Degree Inlet Orientation



WOODFORD

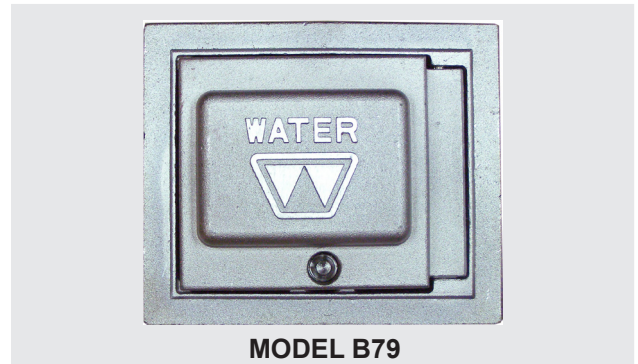


Backflow Protected Close Coupled Trimline Wall Hydrants Model 79/B79/RB79



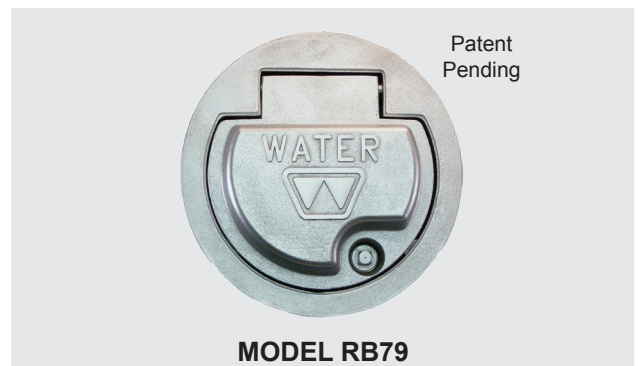
MODEL 79

Exterior Finish:
Standard - Chrome (CH)
Optional - Brass (BR) Polished Brass (PB)



MODEL B79

Exterior Finish: Square Box & Door
Standard - Chrome (CH)
Optional - Brass (BR) Polished Brass (PB)



MODEL RB79

Optional Round Box & Door
Exterior Finish: Standard - Chrome (CH)
Fits 6" dia. cored hole.

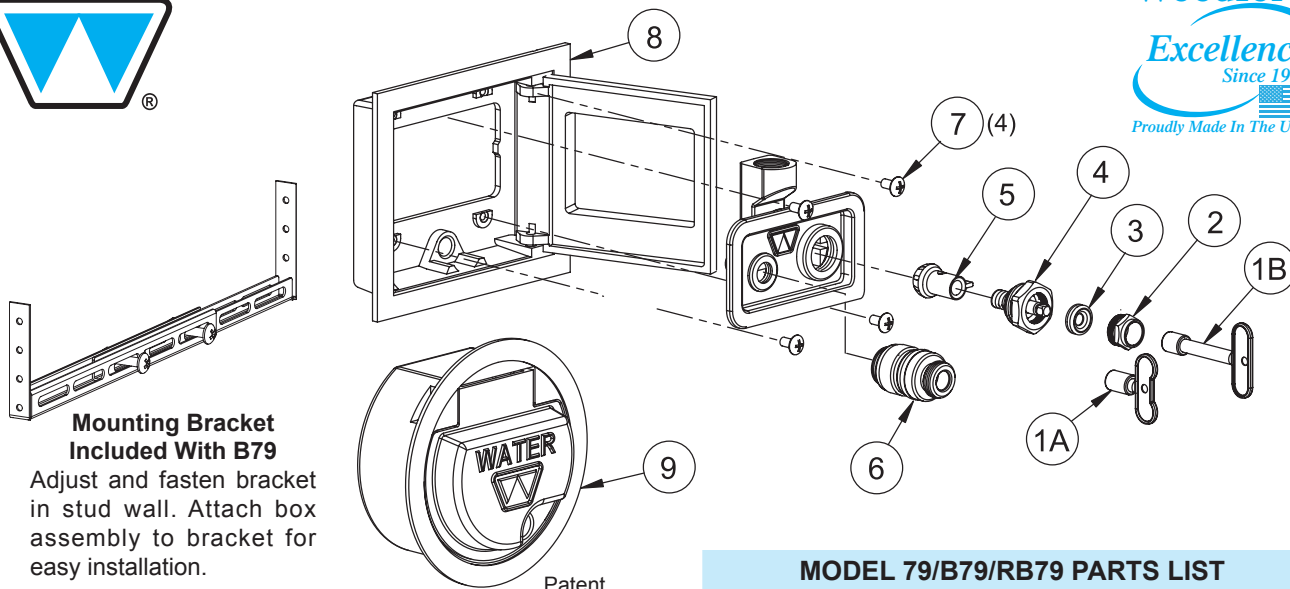
Patent
Pending

When ordering, specify model number, and finish.

WOODFORD



Woodford
Excellence
 Since 1929
 Proudly Made In The U.S.A.



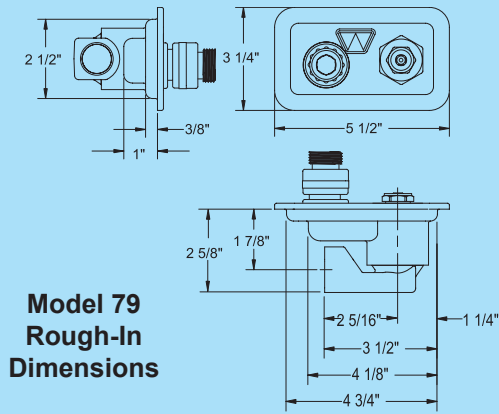
**Mounting Bracket
 Included With B79**

Adjust and fasten bracket in stud wall. Attach box assembly to bracket for easy installation.

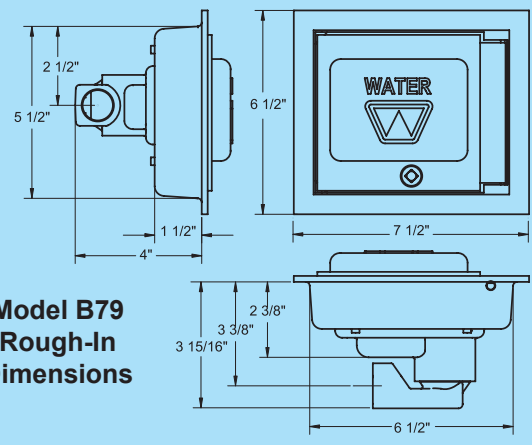
Patent Pending

MODEL 79/B79/RB79 PARTS LIST

ITEM	PART#	DESCRIPTION
1A	50009	Tee Key
1B	50010	Long Tee Key (Box Models)
2	30109 30107	Packing Nut - chrome Packing Nut - brass
3	30247	EPDM Packing
4	55183 55182	Head Nut Assembly - chrome Head Nut Assembly - brass
5	55105	Yoke Nut & Valve Assembly
6	37HF-CH 37HF-BR	Backflow Preventer - chrome Backflow Preventer - brass
7	51049	Truss Head Screws (4)
8	74BX	Square Box/Door Assembly - chrome standard
9	RB74BX	Round Box/Door Assembly - chrome
	RK-75	Chrome Repair Kit (Includes Items 1-5)

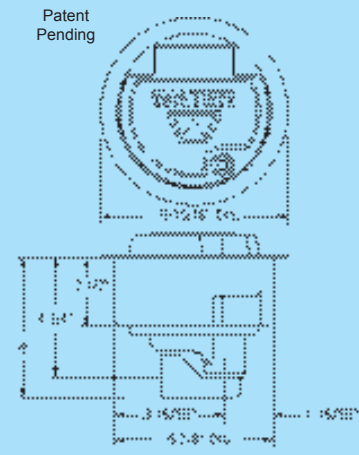


**Model 79
 Rough-In
 Dimensions**



**Model B79
 Rough-In
 Dimensions**

**Model RB79
 Rough-In
 Dimensions**



Manufactured under one or more of the following patents: U.S. Patents: 3,414,001; 4,178,956; 4,316,481; 4,532,954
 D216,790; D216,791; D277,365; D277,366; Canada Patents: 852,529; 865,995; 1,146,438

For more information contact...

WOODFORD MANUFACTURING COMPANY

2121 Waynoka Road, Colorado Springs, Colorado 80915 • Phone: (800) 621-6032 • Fax: (800) 765-4115

To view our complete product line visit: www.woodfordmfg.com or email: sales@woodfordmfg.com

A Division Of WCM Industries, Inc.