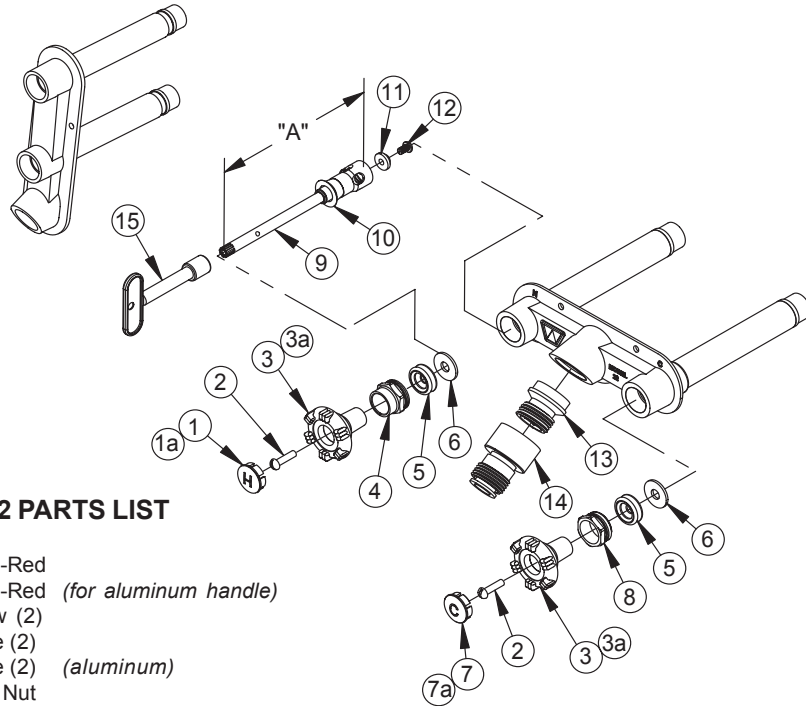


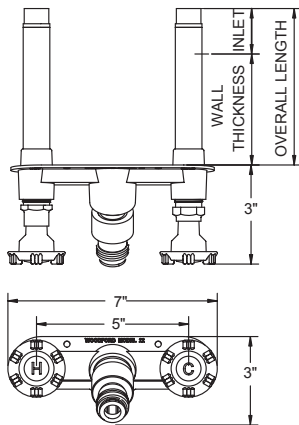
**WOODFORD**



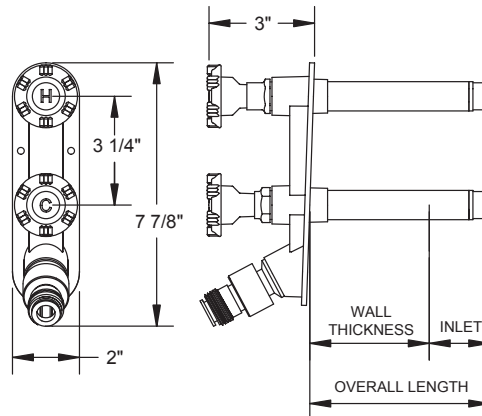
**MODEL 22 & V22 PARTS LIST**

- | ITEM | PART# | DESCRIPTION                               |
|------|-------|---|
| 1.   | 30463 | Plug Button-H-Red                         |
| 1a.  | 30566 | Plug Button-H-Red (for aluminum handle)   |
| 2.   | 30002 | Handle Screw (2)                          |
| 3.   | 30099 | Wheel Handle (2)                          |
| 3a.  | 30096 | Wheel Handle (2) (aluminum)               |
| 4.   | 30497 | Long Packing Nut                          |
| 5.   | 30560 | EPDM Packing (2)                          |
| 6.   | 30006 | Packing Support Washer                    |
| 7.   | 30462 | Plug Button-C-Blue                        |
| 7a.  | 30565 | Plug Button-C-Blue (for aluminum handles) |
| 8.   | 30059 | Packing Nut                               |
| 9.   | 35XXX | Valve Stem Assembly (See chart at right)  |
- Note: Valve stems are interchangeable with Model 22 and V22 Head assemblies.*
- |     |         |                                       |
|-----|---------|---------------------------------------|
| 10. | 30459   | Check Valve (2)                       |
| 11. | 30008   | Valve Seat Rubber (2)                 |
| 12. | 30009   | Retainer Screw (2)                    |
| 13. | 55434   | 1-1/8" Brass Nozzle Assembly w/O-ring |
| 14. | 32070   | VB222 Vacuum Breaker                  |
| 15. | 50012   | Tee Key                               |
|     | RK-PT   | Push To Turn Repair Kit               |
|     | RK-22   | Repair Kit                            |
|     |         | Includes 1 ea: Item 1, 4, 7, 8        |
|     |         | 2 ea: Items 2, 3, 5, 6, 10, 11, 12    |
|     | RK-22MH | Repair Kit (aluminum handles)         |
|     |         | Includes 1 ea: Item 1a, 4, 7a, 8      |
|     |         | 2 ea: Items 2, 3a, 5, 6, 10, 11, 12   |

VALVE STEM ASSEMBLY DIM. "A"		
Wall Thickness	Length	Part No.
CC (1 3/4)	3 5/8"	35942
4	5 7/8"	35720
6	7 7/8"	35721
8	9 7/8"	35722
10	11 7/8"	35723
12	13 7/8"	35724
14	15 7/8"	35725
16	17 7/8"	35736
18	19 7/8"	35726
20	21 7/8"	35737
22	23 7/8"	35738
24	25 7/8"	35727



**Model 22**  
Rough-In Dimensions



**Model V22**  
Rough-In Dimensions

*For more information contact...*

**WOODFORD MANUFACTURING COMPANY**

2121 Waynoka Road, Colorado Springs, Colorado 80915 • Phone: (800) 621-6032 • Fax: (800) 765-4115  
 To view our complete product line visit: [www.woodfordmfg.com](http://www.woodfordmfg.com) or email: [sales@woodfordmfg.com](mailto:sales@woodfordmfg.com)  
 A Division Of WCM Industries, Inc.