

Freezeless Yard Hydrants



The original Woodford Model Y34 has been manufactured continuously by Woodford since 1929. Time tested functionality and dependability make Woodford the most requested brand for freezeless yard hydrants.

Freezeless Yard Hydrants are intended for irrigation purposes and outdoor watering on the farm or ranch where immediate water flow is required in sub-zero temperatures. Yard Hydrants are typically used for filling field spray equipment, cleaning tools and equipment, lawn and garden care and watering livestock.

The shut-off valve is located below the frost line where water in the stand pipe is allowed to drain from the valve body to prevent freezing.

All repairs can be made from the top of the unit without removing hydrant from the ground.

8 Yard Hydrant models are featured in this brochure. Specifications for each are listed on page 2.

Scan For Specifications,
 Installation and
 Troubleshooting



For information, please contact:

Freezeless Yard Hydrants Model / Specifications



When ordering, specify model and bury depth.....Example Y34-6

MODEL	Female Pipe Inlet	Galv. Steel Pipe Casing	Specifications
IOWA® Y34 Orange Head	3/4" N.P.T.	1" (1-5/16" O.D.)	<ul style="list-style-type: none"> Cast iron head and handle assembly Cast brass valve body 1/8" NPT drain hole 3/8" galvanized steel pipe Operating Rod w/brass stem Rod Guide eliminates side pull on rod Adjustable lever lock tension link Automatic Flow Finder and lock Long Life graphite Packing One piece variable flow Plunger and drain feature Available in Low Lead (LL)
IOWA® Y1 Orange Head	1" N.P.T.	1 1/4" (1-5/8" O.D.)	<ul style="list-style-type: none"> Same features as Y34 Available in Low Lead (LL)
Y2 Orange Head	1" N.P.T.	1 1/4" (1-5/8" O.D.)	<ul style="list-style-type: none"> Same features as Y34 *ASSE 1052® Nidel Model 50HF High Flow Double Check Backflow Preventer Automatic draining Diverter Vent Available in Low Lead (LL)
W34 Orange Head	3/4" N.P.T.	1" (1-5/16" O.D.)	<ul style="list-style-type: none"> Metal side links 3/8" galvanized steel pipe Operating Rod w/brass stem Cast iron head and handle assembly Cast brass valve body with drain hole Long Life graphite Packing One piece variable flow Plunger and drain feature
X34 Blue Head	3/4" N.P.T.	1" (1-5/16" O.D.)	<ul style="list-style-type: none"> Nylon plastic side links 3/8" steel operating rod w/brass stem Cast iron head and handle assembly Cast brass valve body with drain hole Long Life graphite Packing One piece variable flow Plunger and drain feature
R34 Red Head	3/4" N.P.T.	1" (1-5/16" O.D.)	<ul style="list-style-type: none"> Ductile iron head and handle assembly All metal construction (No plastic parts) Cast brass valve body 1/8" NPT drain hole Long Life graphite Packing One piece variable flow Plunger and drain feature Adjustable pivot block provides easy and positive adjustment of the lever lock in tension 3/8" steel operating rod w/brass stem
Y30 Wheel Handle Operation Brass Head	3/4" N.P.T.	1" (1-5/16" O.D.)	<ul style="list-style-type: none"> Large oval wheel handle operation (Optional Tee Key) EPDM Packing 3/8" galvanized steel pipe Operating Rod Cast brass faucet style head Cast brass valve body with drain hole
Y95 Flush With Ground Brass Box Model	3/4" N.P.T.	1" (1-5/16" O.D.)	<ul style="list-style-type: none"> Concealed flush to surface installation *ASSE 1052 Nidel® Model 50HF High Flow Double Check Backflow Preventer EPDM Packing 3/8" galvanized steel pipe Operating Rod Tamper proof 6.5 X 7.5 X 3.4 deep cast brass box with hinged, locking flat brass cover Brass head casting with removable tee key operation

Common to all Yard Hydrants

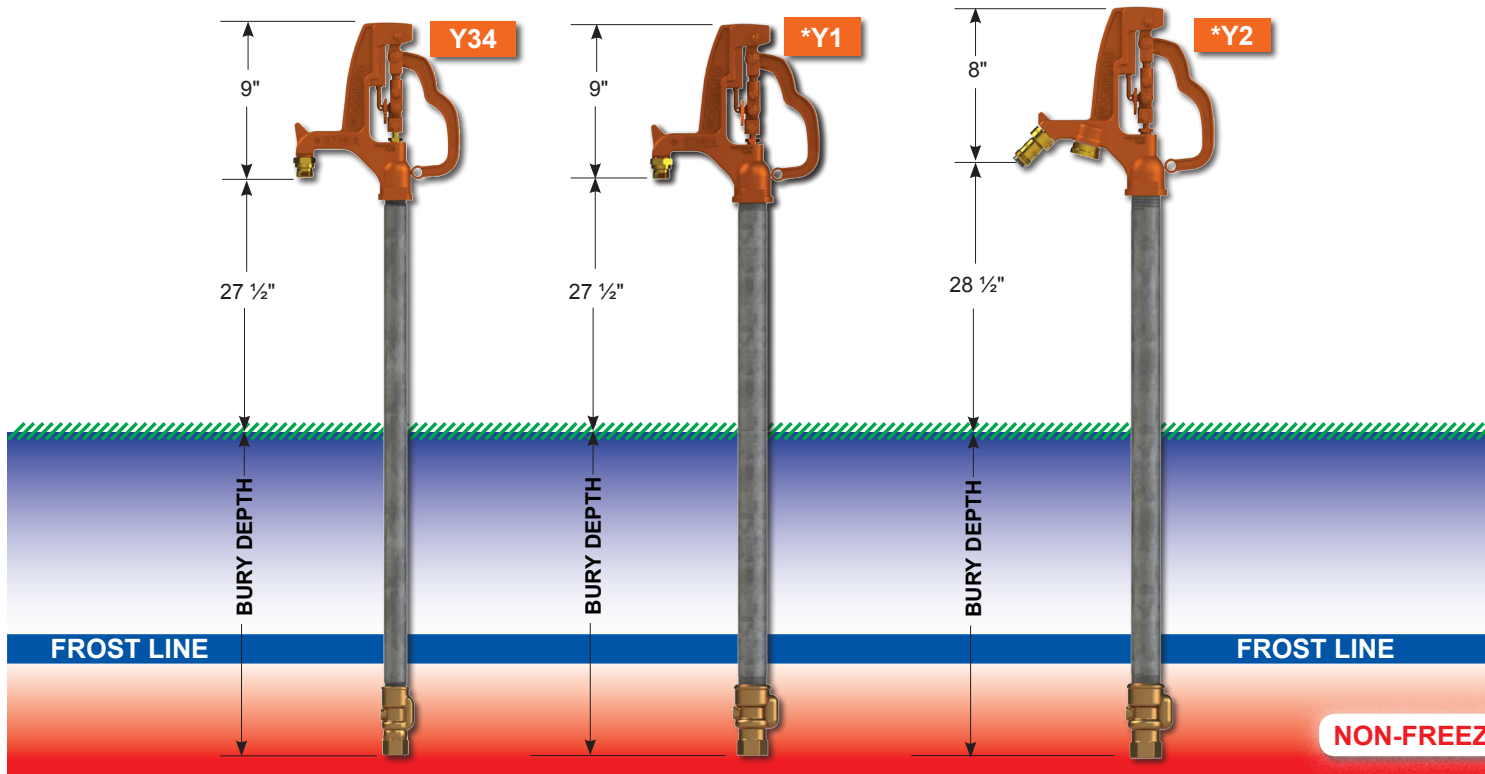
- Max Working Pressure: 125 P.S.I.
- Max Temperature: 120° F

SHIPPING WEIGHT (Lbs)								SHIPPING WEIGHT (Lbs)							
Model / Bury Depth (Ft)	1	2	3	4	5	6*	7*	Model / Bury Depth (Ft)	1	2	3	4	5	6*	7*
**Y34	15	17	19	22	24	26	28	X34	14	16	18	20	22	24	26
**Y1	18	20	22	25	28	31	34	R34	9.2	11.3	13.4	15.5	17.6	19.7	21.8
Y2	18	20	22	25	28	31	34	Y30	8	10	13	15	17	19	21
W34	14	16	18	20	22	24	26	Y95	14	16	18	21	23	26	28

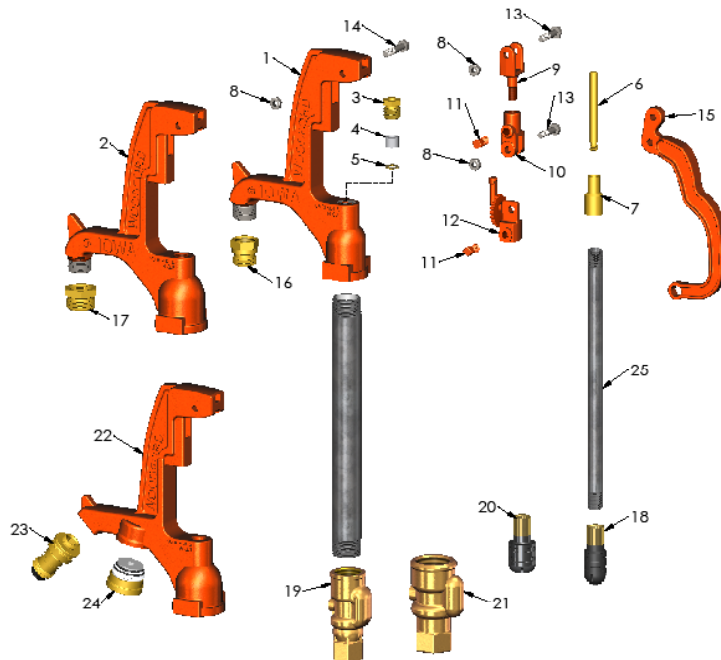
*6 & 7 ft. bury must ship by truck line due to length.
**Y34 & Y1 are also available in 8, 9 & 10 ft. lengths.

*6 & 7 ft. bury must ship by truck line due to length.

Freezeless Yard Hydrants Rough-In & Parts Lists



NON-FREEZE



Y34, Y1 & Y2 PARTS LIST

ITEM	PART#	DESCRIPTION
	15003	Y34 Head Assembly (Includes Items 1, 3-16)
	15001	Y1 Head Assembly (Includes Items 2, 3-15 & 17)
	15239	Y2 Head Assembly (Includes Items 3-15, 22, 23, 24)
1	15004	Y34 Head with 3/4" Nozzle
2	15002	Y1 Head with 3/4" Nozzle
3	10100	Packing Nut
4	10101	Packing
5	10102	Packing Support Washer
6	10104	Brass Rod Stem
7	10011	Reducing Coupling
8	10206	Hex Nut (3)
9	10009	Upper Link
10	15007	Lower Link (Includes Item 11)
11	10019	Set Screw (2)
12	15008	Cam & Clevis Assembly
13	10020	Link Bolt (2)
14	10021	Lever Bolt
15	10008	Lever
16	10004	3/4" Brass Hose Nozzle (Standard)
17	10007	1" Brass Hose Nozzle (Optional)
18	10105	Y34 Plunger
19	10018	Y34 Valve Body (3/4" NPT Inlet)
20	10106	Y1 & Y2 Plunger
21	10017	Y1 & Y2 Valve Body (1" NPT Inlet)
22	10539	Y2 Head
23	50HF-BR	50HF-BR Dual Check Backflow Preventer ASSE 1052
24	15238	Diverter Assembly
25		Y34, Y1 & Y2 Operating Pipe

ITEM	PART#	DESCRIPTION
	10023	1' Bury (35 1/2" Long)
	10024	2' Bury (47 1/2" Long)
	10025	3' Bury (59 1/2" Long)
	10026	4' Bury (71 1/2" Long)
	10027	5' Bury (83 1/2" Long)
	10028	6' Bury (95 1/2" Long)
	10029	7' Bury (107 1/2" Long)
	10030	8' Bury (119 1/2" Long)
	10089	9' Bury (131 1/2" Long)
	10090	10' Bury (143 1/2" Long)
	RK-Y34	Repair Kit (Includes Items 3-6 & 18)
	RK-Y1	Repair Kit (Includes Items 3-6 & 20)
	RK-YHL	Repair Kit (Includes Items 8-14)

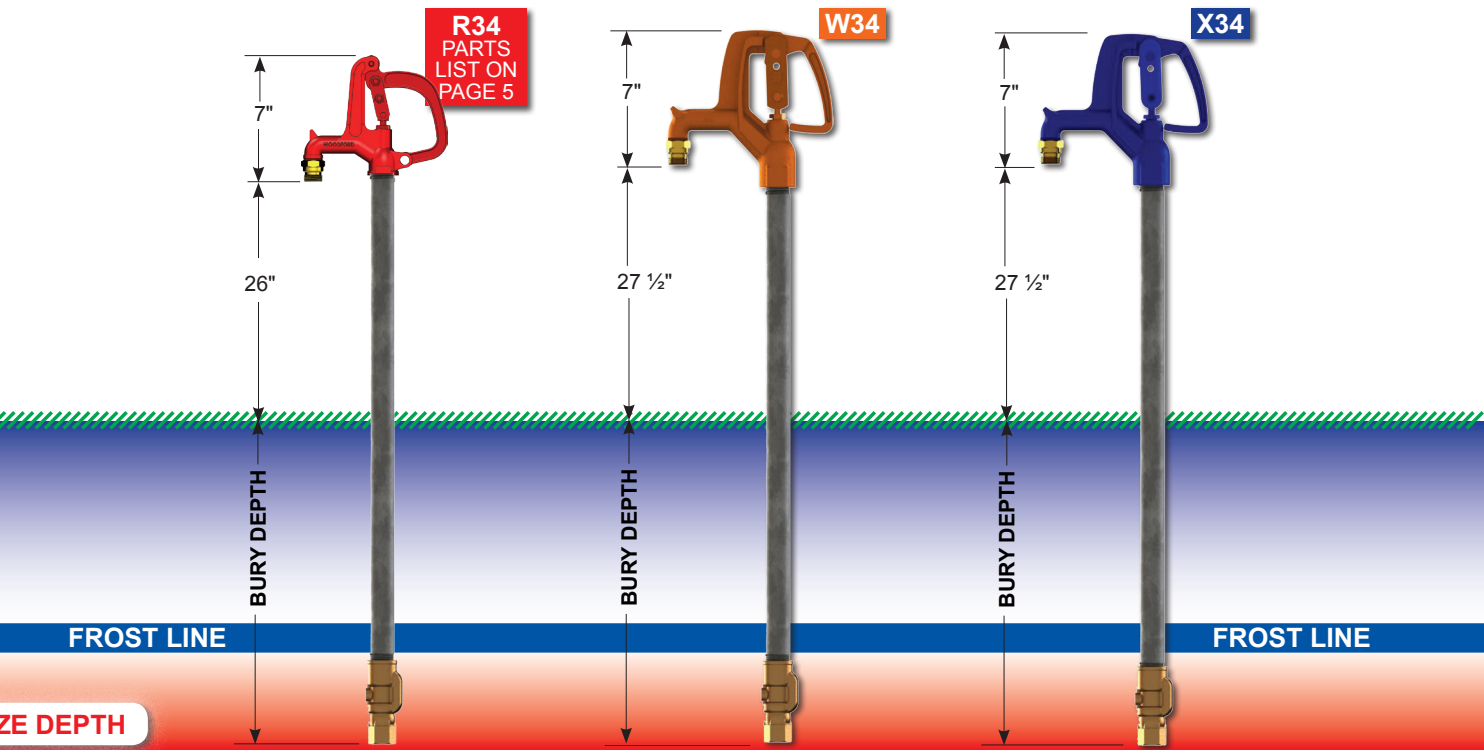
Optional on Y34 & Y1 at additional cost:

- 1" Brass Pipe Outer Casing
- 3/8" Brass Pipe Operating Rod
- 1" Hose Nozzle (10007)

Optional on Y1 & Y2 at additional cost:

- Low Lead - Add suffix (LL) to model number

Freezeless Yard Hydrants Rough-In & Parts Lists



R34
PARTS
LIST ON
PAGE 5

W34

X34

FROST LINE

FROST LINE

BURY DEPTH



Optional on W34 at additional cost:

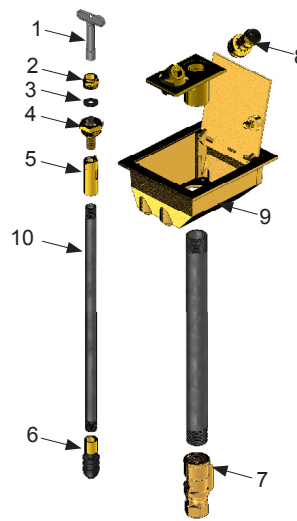
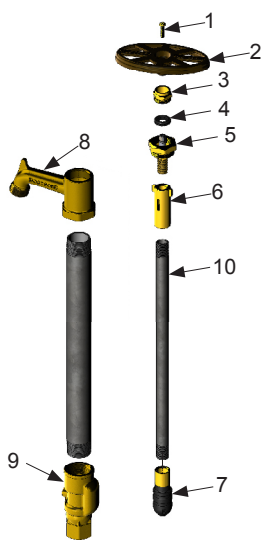
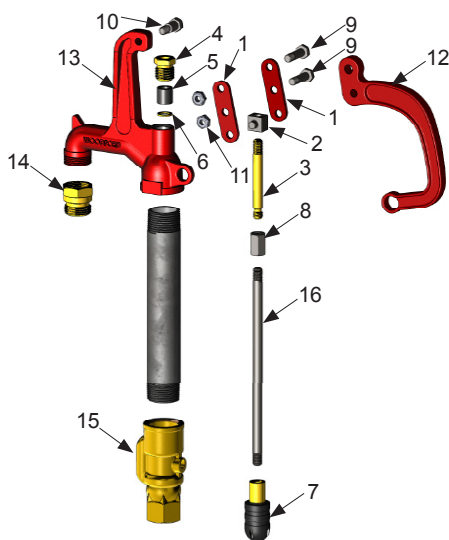
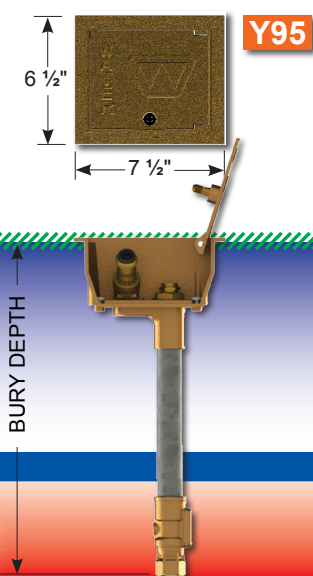
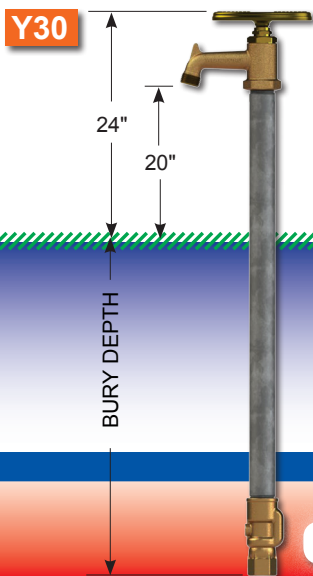
- 1" Brass Pipe Outer Casing
- 3/8" Brass Pipe Operating Rod
- 1" Hose Nozzle (10007)

W34 & X34 PARTS LIST

ITEM	PART#	DESCRIPTION
	15039	W34 Head Assembly - Complete (Includes Items 1-4, 6-16)
	15037	X34 Head Assembly - Complete (Includes Items 1-4, 6, 7, 12, 17-21)
1	10100	Packing Nut
2	10101	Packing
3	10102	Packing Support Washer
4	10104	Brass Rod Stem
5	10105	W34 Plunger
6	10158	Pivot Set Screw
7	10159	Pivot
	15050	Pivot Assembly (Includes Items 6 & 7)
8	10144	Steel Link (2 Req'd)
9	10157	Link Bolt
10	10146	Link Spacer
11	10206	Link Bolt Nut
12	10142	Handle Pin
13	10211	W34 Handle (Orange)
14	10011	W34 Reducing Coupling
15	15040	W34 Orange Head & Nozzle Assy (Includes Item 16)
16	10004	3/4" Brass Hose Nozzle (Standard)
17	10007	1" Brass Hose Nozzle (Optional)
18	10018	Valve Body
19	15021	Head & Nozzle Assembly-Blue (Includes Item 16)
20	RK-WXL	Replace with Steel Links (Includes Items 8(2),9-11)
21	10227	X34 Handle (Blue)
22	10481	X34 Coupling Nut
23	10109	X34 Plunger
24		W34 Operating Pipe (3/8" Galv. Steel Pipe)
	10023	1' Bury (35 1/2" Long)
	10024	2' Bury (47 1/2" Long)
	10025	3' Bury (59 1/2" Long)
	10026	4' Bury (71 1/2" Long)
	10027	5' Bury (83 1/2" Long)
	10028	6' Bury (95 1/2" Long)
	10029	7' Bury (107 1/2" Long)

ITEM	PART#	DESCRIPTION
25		X34 Operating Rod (3/8" Steel Rod)
	10471	1' Bury (36 11/16" Long)
	10472	2' Bury (48 11/16" Long)
	10473	3' Bury (60 11/16" Long)
	10474	4' Bury (72 11/16" Long)
	10475	5' Bury (84 11/16" Long)
	10476	6' Bury (96 11/16" Long)
	10477	7' Bury (108 11/16" Long)
	RK-W34	Repair Kit (Includes Items 1-7)
	RK-X34	Repair Kit (Includes Items 1-4, 6, 7, 23)

Freezeless Yard Hydrants Rough-In & Parts Lists



R34 PARTS LIST		
ITEM	PART#	DESCRIPTION
	15247	R34 Head Assembly-Complete Includes Items 1-5 & 7-14
1	10620	Link Plate (2)
2	10619	Pivot Square
3	10588	Rod Stem
4	10100	Packing Nut
5	10101	Packing
6	10102	Packing Support Washer
7	10108	Plunger
8	10481	Coupling Nut
9	10589	Link Bolt
10	10590	Handle Shoulder Bolt
11	10206	Hex Nut (2)
12	10587	Handle
13	15246	R34 Head & Nozzle Assy Includes Item 14
14	10004	3/4" Brass Hose Nozzle
15	10018	Valve Body
16		Operating Rod
	10591	1' Bury (35-15/16" Long)
	10592	2' Bury (47-15/16" Long)
	10593	3' Bury (59-15/16" Long)
	10594	4' Bury (71-15/16" Long)
	10595	5' Bury (83-15/16" Long)
	10596	6' Bury (95-15/16" Long)
	10600	7' Bury (107-15/16" Long)
	RK-R34	Repair Kit (Items 1-7)

Y30 PARTS LIST		
ITEM	PART#	DESCRIPTION
1	30002	Handle Screw (brass)
1a	30121	Handle Screw (nickel)
2	10630	Oval Wheel Handle (brass)
2a	50022	Round, Clear Wheel Handle (chrome)
3	30107	Packing Nut (brass)
3a	30109	Packing Nut (chrome)
4	30247	Packing
5	55178	Head Nut Assembly (brass)
5a	55179	Head Nut Assembly (chrome)
6	10109	Yoke Nut
7	10105	Plunger
8	50075	Head (brass)
8a	50076	Head (chrome)
9	10018	Valve Body
10		3/8" Operating Pipe
	10033	1' Bury (28-1/8" long)
	10034	2' Bury (40-1/8" long)
	10035	3' Bury (52-1/8" long)
	10036	4' Bury (64-1/8" long)
	10037	5' Bury (76-1/8" long)
	10038	6' Bury (88-1/8" long)
	10110	7' Bury (100-1/8" long)
	RK-Y30	Brass Repair Kit (Items 1-7)

Y95 PARTS LIST		
ITEM	PART#	DESCRIPTION
1	50010	Tee Key
2	30107	Packing Nut
3	30247	EPDM Packing
4	55176	Head Nut Assembly
5	10109	Yoke Nut
6	10105	Plunger
7	10018	Valve Body
8	50HF-BR	50HF Vacuum Breaker- Brass
9	55020	Box Assembly
10		3/8" Operating Pipe
	10031	1' Bury (4-1/8" long)
	10032	2' Bury (16-1/8" long)
	10033	3' Bury (28-1/8" long)
	10034	4' Bury (40-1/8" long)
	10035	5' Bury (52-1/8" long)
	10036	6' Bury (64-1/8" long)
	10037	7' Bury (76-1/8" long)
	RK-Y95	Repair Kit (Items 1-6)

Freezeless Yard Hydrants Information



Notice:

• All Yard Hydrants must be buried so that the valve body is located below the frost line for proper draining.

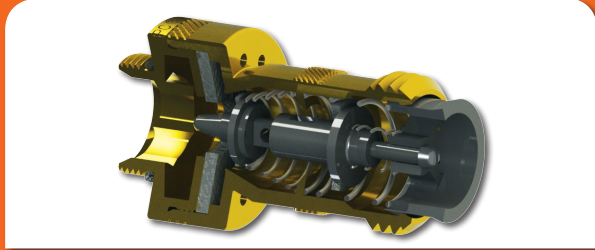
- All hydrants are intended For Irrigation and Outdoor Watering.
- All hydrants are not recommended for continuous use.
- All specifications are subject to change without notice.

Visit our website for Patent Information, Individual Spec. Sheets, Installation and Troubleshooting Instructions
www.woodfordmfg.com or call 1-800-621-6032

Limited Warranty

All hydrants shown in this brochure are sold with a limited warranty for one year against defects in material and workmanship. We will replace or issue credit (at our option) for defective goods that are returned for inspection and found to be defective within one year of purchase from Woodford.

*NIDEL® Model 50HF Backflow Preventer



The patented NIDEL® Model 50HF high flow double check backflow preventer is standard equipment on specified Yard Hydrant models. It is intended for irrigation and outdoor watering and is designed to protect hose connections from backflow contamination in freezing and non-freezing conditions.

The Model 50HF automatically drains when the hose is removed and unlike single check vacuum breakers can be field tested for reliability.

- ASSE 1052 Approved
- Field Testable (see instruction sheet)
- Two independent check valves
- Drains automatically when hose is removed
- No spray back

Sanitary & Heated Yard Hydrants See separate brochure for models and features.



WOODFORD®
Excellence
Since 1929

Proudly Made In The U.S.A.

Woodford Manufacturing Company
2121 Waynoka Road
Colorado Springs, CO 80915 USA
800-621-6032
800-765-4115 (Fax)
sales@woodfordmfg.com
www.woodfordmfg.com

© Woodford Mfg. Co. 2013
Printed in the U.S.A.