

**PRODUCT SPECIFICATIONS**

Elkay Gourmet Single Hole Kitchen Faucet with Pull-out Spray and Lever Handle. Faucet has a flow rate of 1.75 GPM, and is made of Brass material, with a Ceramic Disc valve. Faucet requires 1 faucet holes.

<b>Mounting Type:</b>	Deck Mount
<b>Special Features:</b>	Low Flow Solid Brass Construction
<b>Spray Type:</b>	Pull Out
<b>Finish:</b>	Brushed Nickel (NK), Chrome (CR), Oil Rubbed Bronze (RB)
<b>Handle Type:</b>	Lever Handle
<b>Deck Clearance:</b>	10-3/4"
<b>Spout Reach:</b>	9-5/8"
<b>Spout Height:</b>	13-1/16"
<b>Hole Drillings:</b>	1
<b>Material:</b>	Brass
<b>Valve Type:</b>	Ceramic Disc
<b>Valve Connection:</b>	3/8" Female Compression Hose Assembly
<b>Flow Rate:</b>	1.75 GPM
<b>Faucet Hole Size (min):</b>	1-3/8"
<b>Countertop Thickness:</b>	2-1/2"
<b>Spout Swing Rotation:</b>	360°
<b>Spout Type:</b>	Pull-out Spray
<b>Spray Functions:</b>	Aerated, Spray, Chrome Plated Brass Hand Spray Hose



**AMERICAN PRIDE. A LIFETIME TRADITION.**  
Like your family, the Elkay family has values and traditions that endure. For almost a century, Elkay has been a family-owned and operated company, providing thousands of jobs that support our families and communities.

**Product Compliance:** ADA & ICC A117.1  
ASME A112.18.1/CSA B125.1  
NSF 61  
NSF 372 (lead free)

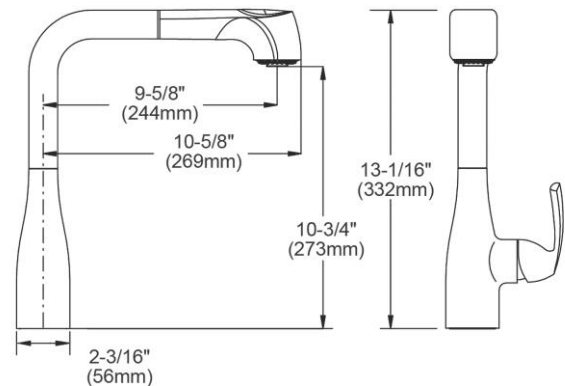
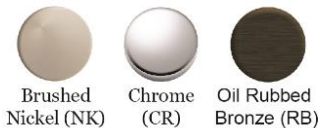


Complies with ADA & ICC A117.1 accessibility requirements when installed according to the requirements outlined in these standards.

[Clean and Care Manual \(PDF\)](#)  
[Installation Instructions \(PDF\)](#)  
[Limited Lifetime Warranty \(PDF\)](#)

**OPTIONAL ACCESSORIES**

LKGT1054CR - Elkay 2" x 4-5/8" x 3-5/8" Soap / Lotion Dispenser, Chrome (CR)
LKGT1054NK - Elkay 2" x 4-5/8" x 3-5/8" Soap / Lotion Dispenser, Brushed Nickel (NK)
LKGT1054RB - Elkay 2" x 4-5/8" x 3-5/8" Soap / Lotion Dispenser, Oil Rubbed Bronze (RB)



PART: \_\_\_\_\_ QTY: \_\_\_\_\_

PROJECT: \_\_\_\_\_

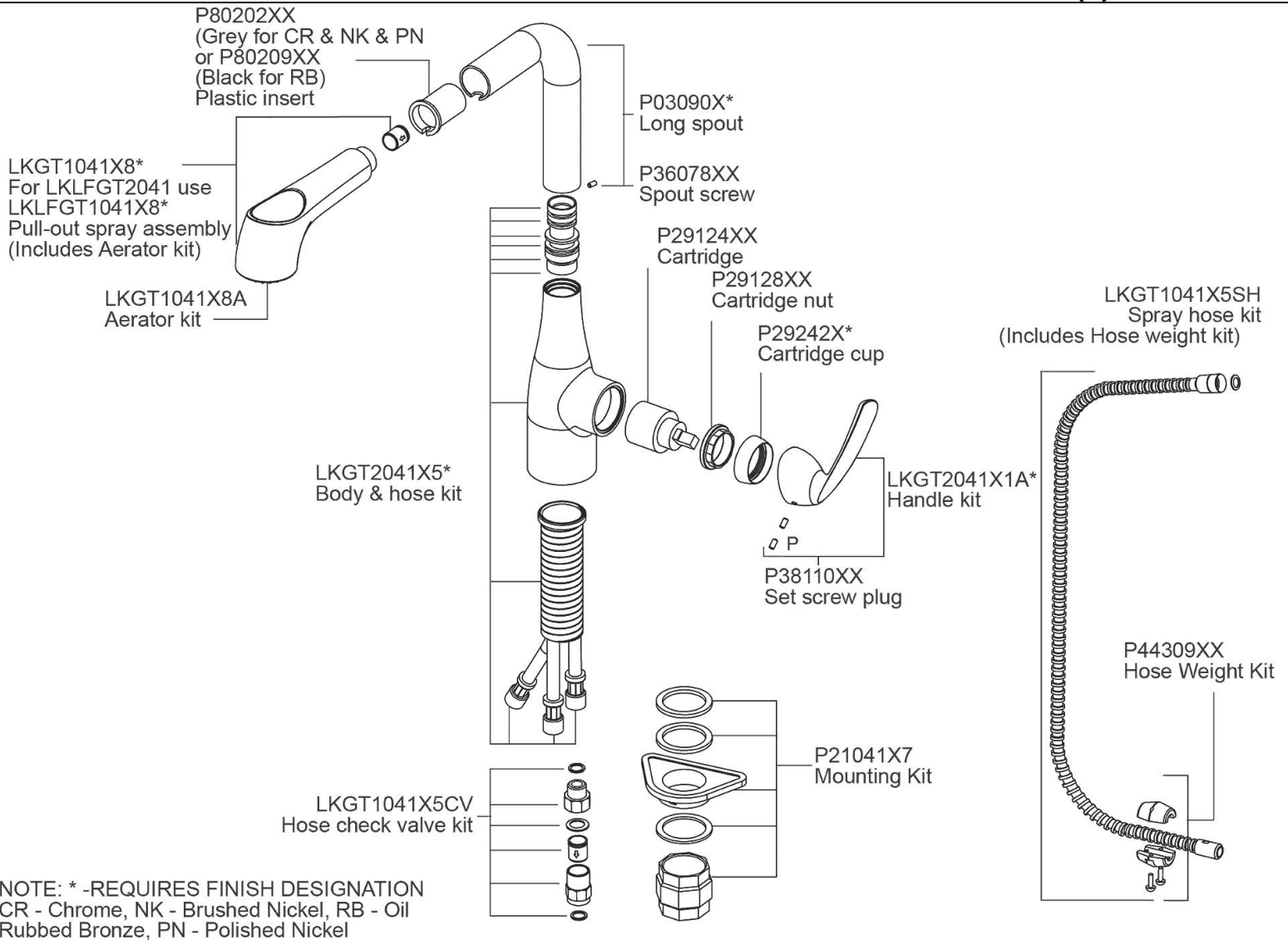
CONTACT: \_\_\_\_\_

DATE: \_\_\_\_\_

NOTES: \_\_\_\_\_

APPROVAL: \_\_\_\_\_

*In keeping with our policy of continuing product improvement, Elkay reserves the right to change product specifications without notice. Please visit [elkay.com](http://elkay.com) for the most current version of Elkay product specification sheets. This specification describes an Elkay product with design, quality, and functional benefits to the user. When making a comparison of other producers' offerings, be certain these features are not overlooked.*



In keeping with our policy of continuing product improvement, Elkay reserves the right to change product specifications without notice. Please visit [elkay.com](http://elkay.com) for the most current version of Elkay product specification sheets. This specification describes an Elkay product with design, quality, and functional benefits to the user. When making a comparison of other producers' offerings, be certain these features are not overlooked.