



**MIXER STANDS  
WITH AND WITHOUT  
UTENSIL TREE**

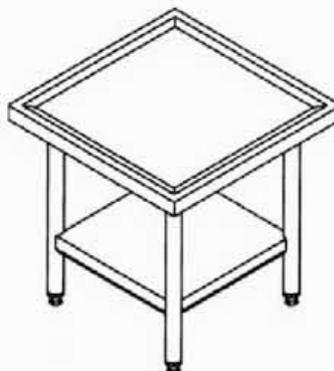
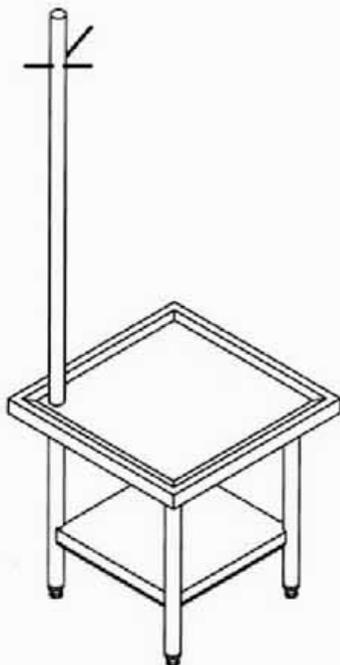
**FEATURES:**

**TOP:** 16 GAUGE 304 STAINLESS STEEL CONSTRUCTION

**BASE:** 18 GAUGE STAINLESS STEEL UNDERSHELF OR 18 GAUGE GALVANIZED UNDERSHELF

**LEGS:** 1-5/8" DIAMETER LEGS EITHER GALVANIZED OR STAINLESS STEEL WITH ADJUSTABLE FEET

**UTENSIL TREE:** 1-5/8" DIAMETER STAINLESS STEEL OR GALVANIZED TUBE WITH THREE HANGING PRONGS



**STANDARD SIZES (in.)**

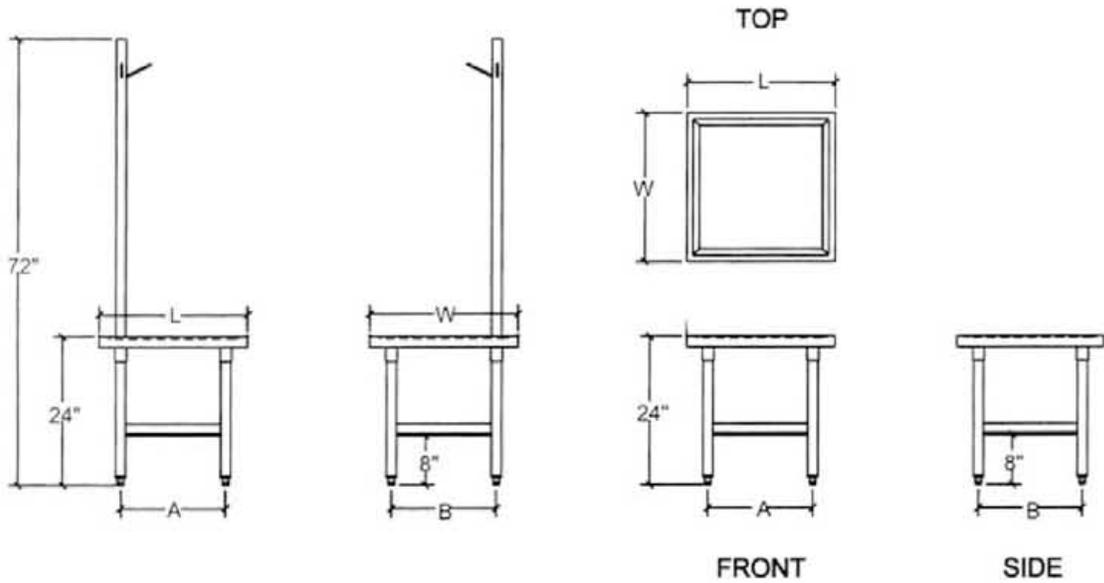
| WIDTH | STS MODELS    | STG MODELS    | LENGTH | HEIGHT |
|-------|---------------|---------------|--------|--------|
| 24    | MS24S24-STS   | MS24S24-STG   | 24     | 24     |
|       | MS24S30-STS   | MS24S30-STG   | 30     |        |
|       | UTMS24S24-STS | UTMS24S24-STG | 24     |        |
|       | UTMS24S30-STS | UTMS24S30-STG | 30     |        |
| 30    | MS30S30-STS   | MS30S30-STG   | 30     |        |
|       | MS30S36-STS   | MS30S36-STG   | 36     |        |
|       | UTMS30S30-STS | UTMS30S30-STG | 30     |        |
|       | UTMS30S36-STS | UTMS30S36-STG | 36     |        |

# SPECIFICATIONS

DATE: \_\_\_\_\_ MODEL NO: \_\_\_\_\_

PROJECT: \_\_\_\_\_

MIXER STANDS WITH AND WITHOUT UTENSIL TREE



DIMENSIONS (in.)

| WIDTH | STS MODELS    | STG MODELS    | LENGTH | A  | B  | APPROX. WT. (lbs.) |
|-------|---------------|---------------|--------|----|----|--------------------|
| 24    | MS24S24-STS   | MS24S24-STG   | 24     | 17 | 15 | 45                 |
|       | MS24S30-STS   | MS24S30-STG   | 30     | 17 | 21 | 55                 |
|       | UTMS24S24-STS | UTMS24S24-STG | 24     | 17 | 15 | 50                 |
|       | UTMS24S30-STS | UTMS24S30-STG | 30     | 17 | 21 | 60                 |
| 30    | MS30S30-STS   | MS30S30-STG   | 30     | 20 | 21 | 45                 |
|       | MS30S36-STS   | MS30S36-STG   | 36     | 20 | 27 | 55                 |
|       | UTMS30S30-STS | UTMS30S30-STG | 30     | 20 | 21 | 50                 |
|       | UTMS30S36-STS | UTMS30S36-STG | 36     | 20 | 27 | 60                 |

(Specifications Subject To Change)



North 421 Freya, Spokane, WA 99202 509-533-0608 / 800-726-0553 Fax: 509-535-1493 Website: <http://www.sspinc.net> E-mail: [ssp@sspinc.net](mailto:ssp@sspinc.net)