

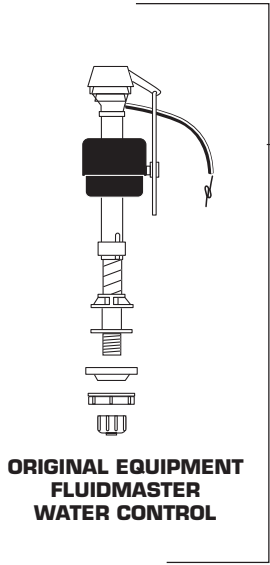
# TOWN SQUARE 6 LITRE TOILET



## MODEL NUMBER

**2787 SERIES ROUND FRONT**  
**2797 SERIES ELONGATED**

### WATER CONTROL



TANK COVER



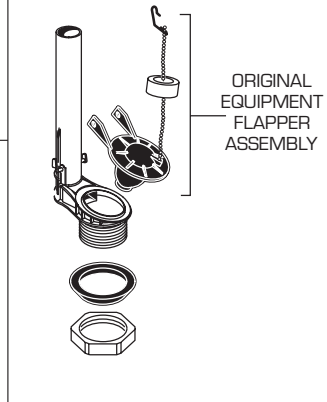
TRIP LEVER

BOLT CAPS



### FLUSH VALVE

ORIGINAL EQUIPMENT  
FLUSH VALVE



SEAT AND COVER  
(INCLUDES  
MOUNTING KIT)



★ Replace XXX with Fixture Color Code, YYY with Trim Finish

DESCRIPTION	▷ COMPONENT	PKG QTY
★ Elongated Bowl w/Bolt Caps	3797016.XXX	1
★ Round Front Bowl w/Bolt Caps	3787016.XXX	1
★ Tank Complete w/Fittings & Cover	4707016.XXX	1
★ Tank Cover only	735097-701.XXX	1
★ Seat and Cover (Elongated)	5725027.XXX	1
★ Seat and Cover (Round Front)	5720011.XXX	1
ORIGINAL EQUIPMENT REPAIR PARTS	PART NUMBER	PKG QTY
★ Bolt Cap Kit	034783-XXX0A	2
Coupling Kit, Bowl-to-tank (#230)	730505-0070A	1
★ Trip Lever	738547-YYY0A	1
Water Control Assembly (Fluidmaster)	738565-403.0070A	1
Flush Valve Assembly	738461-0070A	1
Flapper Assembly	738165-0070A	1

▷ FOR COMPONENT PART ORDERING SEE PRICING GUIDE