

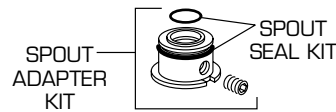
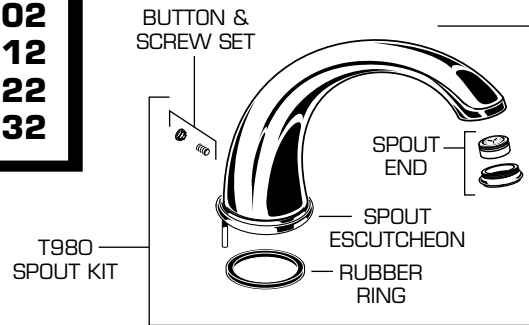
DECK MOUNT TUB FILLER HAMPTON TRIM KITS

MODEL NUMBERS

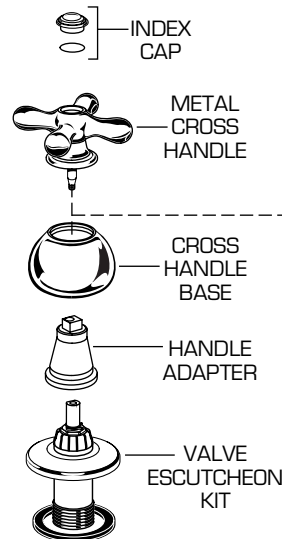
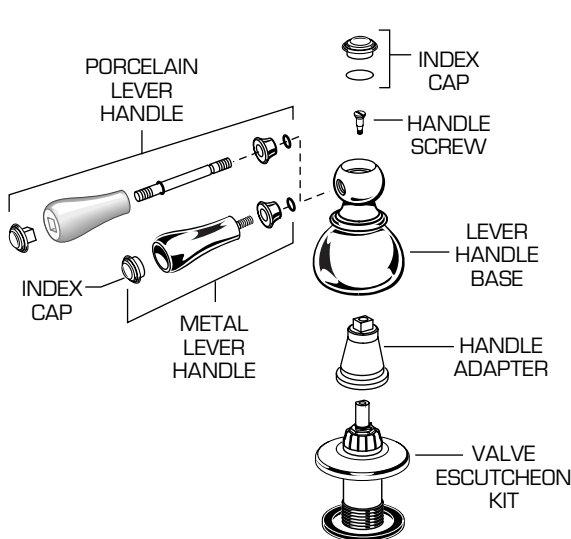
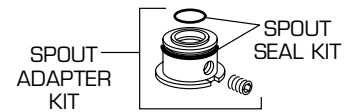
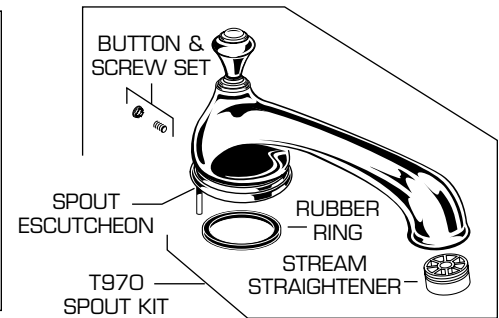
American Standard

T970.702 T980.702
T970.712 T980.712
T970.722 T980.722
T970.732 T980.732

T980 SERIES



T970 SERIES



★ Replace the "YYY" with appropriate finish code

CHROME	002
POL. BRASS	099
SATIN/CHROME	221
VELVET	285
VELVET/BRASS	287
SATIN	295
SATIN/ BRASS	297
CHROME/BRASS	299

REPAIR PARTS	DESCRIPTION	PART NUMBER ★	PKG QTY	
Handle Parts	Index Cap	021470-YYYOA	1	
	Handle Screw	918428-007OA	1	
	Porcelain lever Handle	060353-YYYOA	1	
	Metal lever Handle	060354-YYYOA	1	
	Lever Handle Base	916503-YYYOA	1	
	Metal Cross Handle	013307-YYYOA	1	
	Porcelain Cross Handle	042692-007OA	1	
	Index Cap (Porcelain Cross)	013311-YYYOA	1 Set	
	Cross Handle Base	908501-YYYOA	1	
	Handle Adapter	923002-007OA	1	
	Valve Escutcheon Kit	M961465-YYYOA	1	
	Spout Parts	Button and Screw Set	030216-YYYOA	1
		Spout Kit (T970 Series)	961466-YYYOA	1
Stream Straightner		028678-007OA	1	
Spout Kit (T980 Series)		M961467-YYYOA	1	
Spout End		013314-YYYOA	1	
Spout Escutcheon		907971-YYYOA	1	
Rubber Ring		030261-007OA	1	
Spout Adapter Kit		M961477-007OA	1	
Spout Seal Kit	M961478-007OA	1		

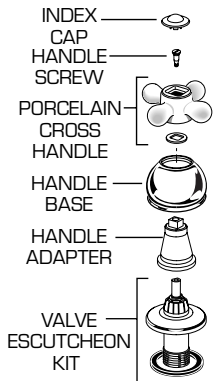
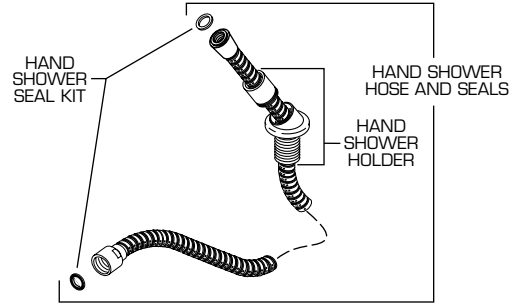
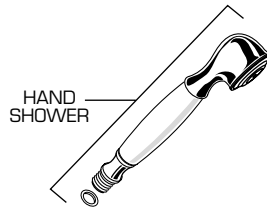
DECK MOUNT TUB FILLER

American Standard

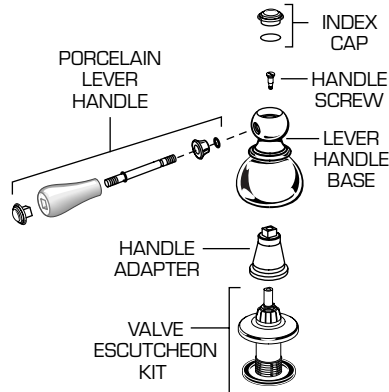
HAMPTON DIVERter & PERSONAL SHOWER TRIM KITS

MODEL NUMBERS

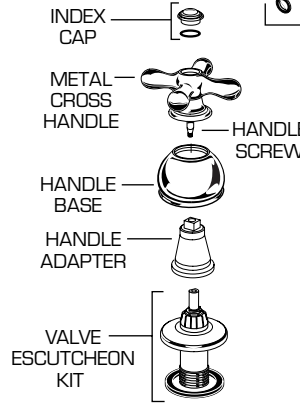
T991 SERIES



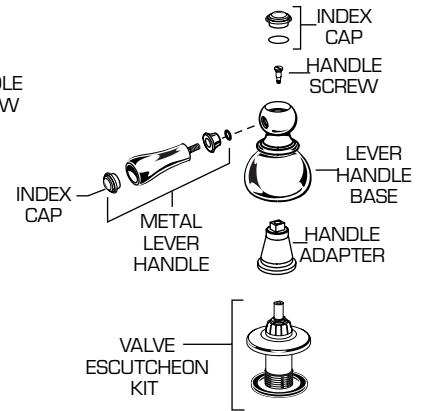
T991.702



T991.712



T991.722



T991.732

★ Replace the "YYY" with appropriate finish code

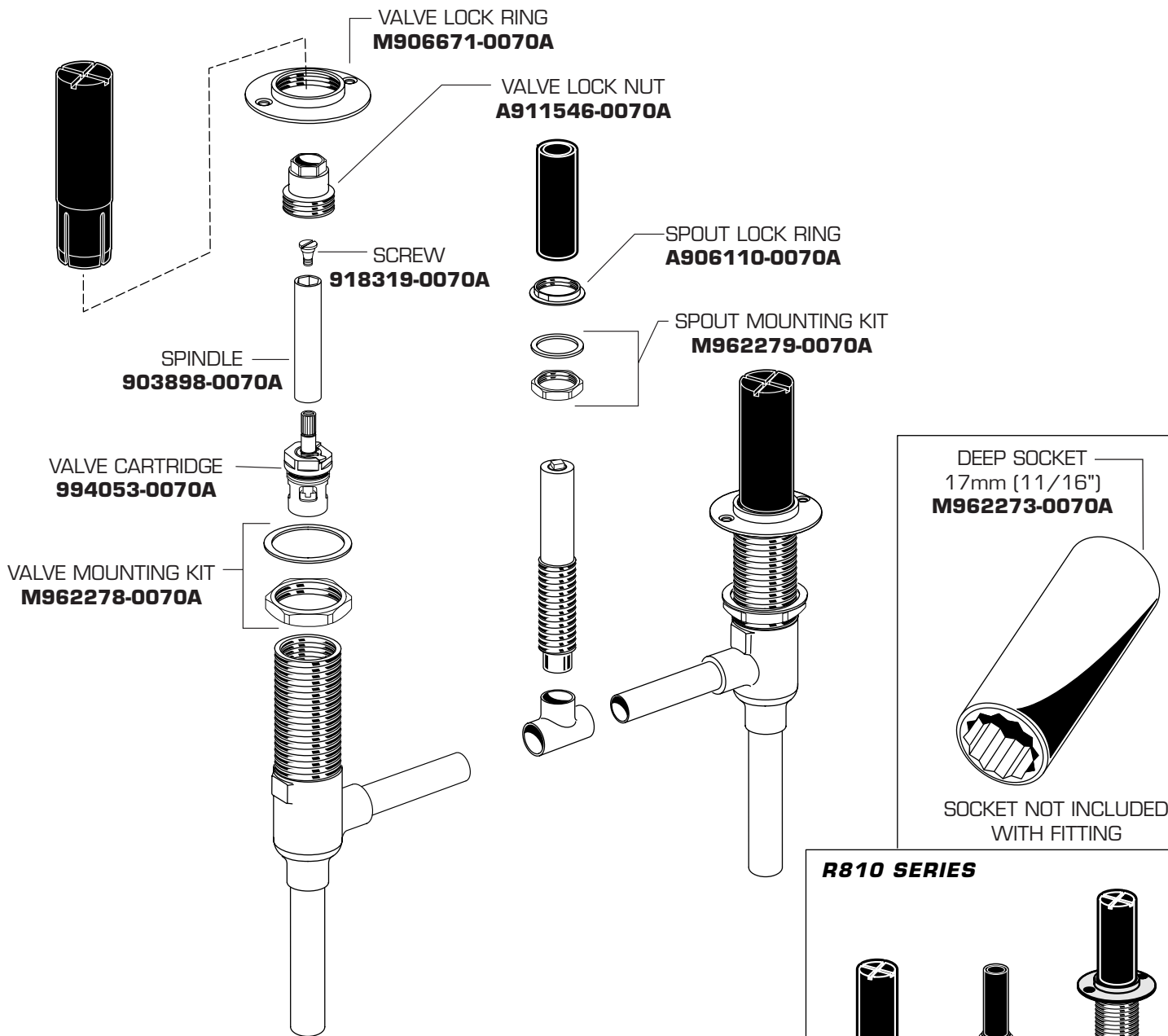
.702	CHROME	002
	POLISHED BRASS	099
	VELVET	285
	SATIN	295
.712	CHROME	002
	POLISHED BRASS	099
	VELVET	285
	SATIN	295

.722	CHROME	002	
	POLISHED BRASS	099	
	SATIN/CHROME	221	
	VELVET	285	
	SATIN	295	
	SATIN/ BRASS	297	
	VELVET/BRASS (PVD) MIX.	287	
	POL. BRASS/CHO. MIXAGE	299	
	.732	CHROME	002
		POLISHED BRASS	099
SATIN/CHROME		221	
VELVET		285	
SATIN		295	
SATIN/ BRASS		297	
VELVET/BRASS (PVD) MIX.		287	
POL. BRASS/CHO. MIXAGE		299	

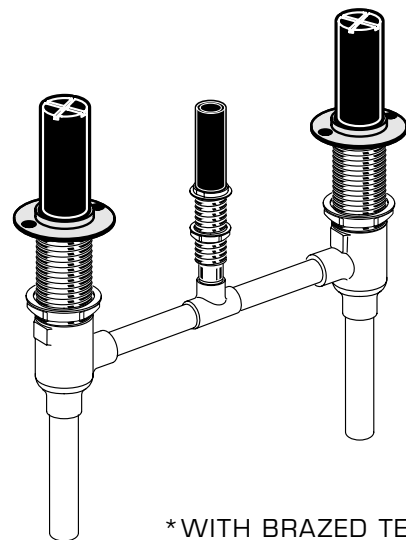
REPAIR PARTS	DESCRIPTION	PART NUMBER★	PKG QTY
T991.702	Index Cap	013311-YYY0A	1 Set
	Handle Screw	918428-0070A	1
	Porcelian Cross Handle	042692-0070A	1
	Cross Handle Base	908501-YYY0A	1
	Handle Adapter	923002-0070A	1
	Valve Escutcheon Kit	M961465-YYY0A	1
T991.712	Index Cap	021470-YYY0A	1
	Handle Screw	918428-0070A	1
	Porcelian Lever Handle	060353-YYY0A	1
	Lever Handle Base	916503-YYY0A	1
	Handle Adapter	923002-0070A	1
	Valve Escutcheon Kit	M961465-YYY0A	1
T991.722	Index Cap	021470-YYY0A	1
	Handle Screw	918428-0070A	1
	Metal Cross Handle	013307-YYY0A	1
	Cross Handle Base	908501-YYY0A	1
	Handle Adapter	923002-0070A	1
	Valve Escutcheon Kit	M961465-YYY0A	1
T991.732	Index Cap	021470-YYY0A	1
	Handle Screw	918428-0070A	1
	Metal Lever Handle	060354-YYY0A	1
	Lever Handle Base	916503-YYY0A	1
	Handle Adapter	923002-0070A	1
	Valve Escutcheon Kit	M961465-YYY0A	1
Hand Shower Parts	Hand Shower	077084-YYY0A	1
	Hand Shower Hose and Seals	028667-0020A ■	1
	Hand Shower Seal Kit	033760-0070A	1
	Hand Shower Holder	M961464-YYY0A	1

■ Available in "002" Chrome finish only

R800
R810



R810 SERIES



HOTLINE FOR HELP

For toll-free information and answers to your questions, call:

1 (800) 442-1902

Weekdays 8:00 a.m. to 7:00 p.m. Eastern Time

IN CANADA 1-800-387-0369 (TORONTO 1-905-306-1093)

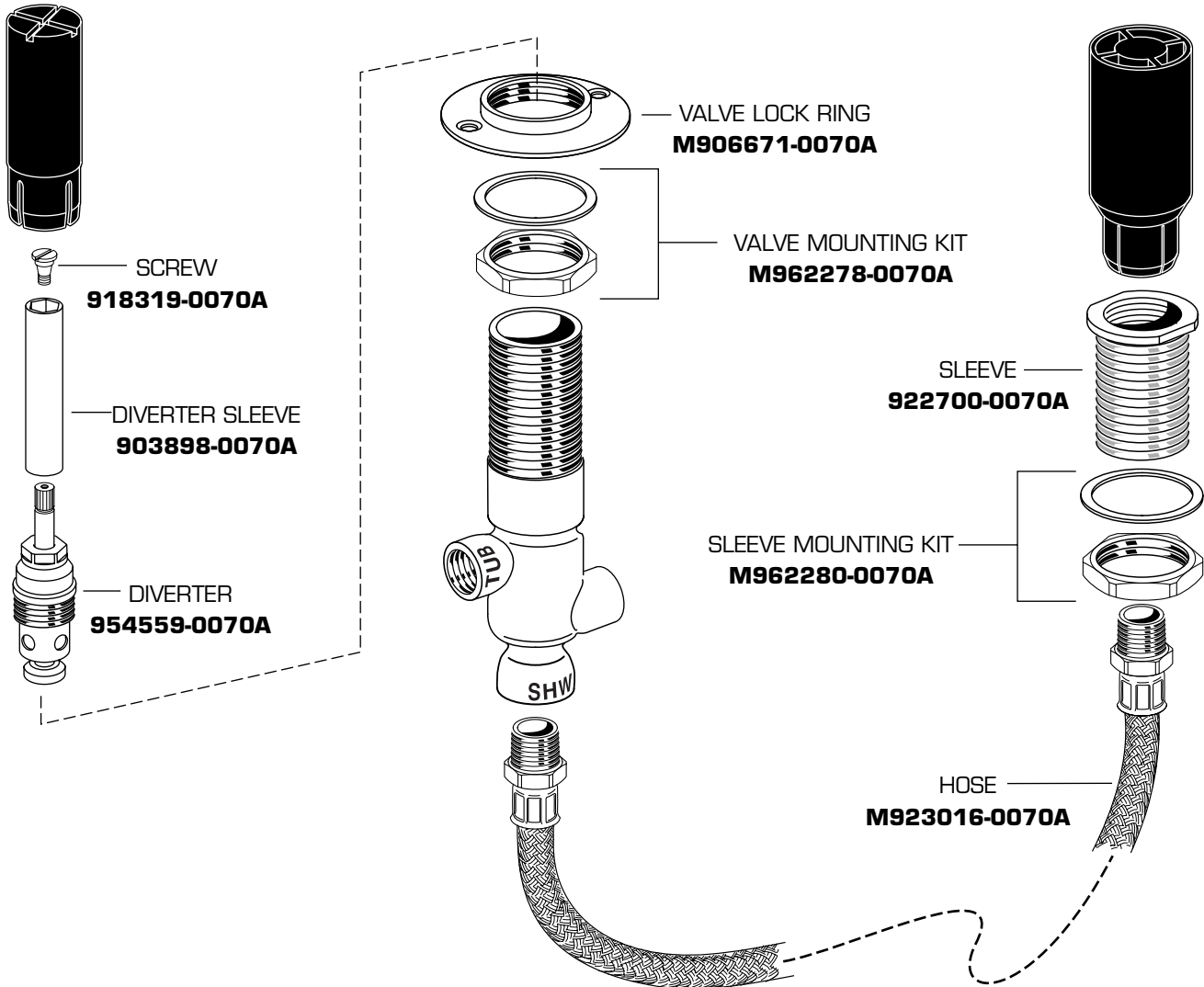
Product names listed herein are trademarks of American Standard Inc.
©American Standard Inc. 2003

American Standard

**DIVERTER & PERSONAL SHOWER
ROUGH VALVE KIT**

MODEL NUMBER

R890



HOT LINE FOR HELP
For toll-free information and answers to your questions, call:
1-800-442-1902
Weekdays 8:00 a.m. to 8:00 p.m. EST
IN CANADA 1-800-387-0369 (TORONTO 1-905-306-1093)
Weekdays 8:00 a.m. to 7:00 p.m. EST
IN MEXICO 01-800-839-12-00

Product names listed herein are trademarks of American Standard Inc.
© American Standard Inc. 2004