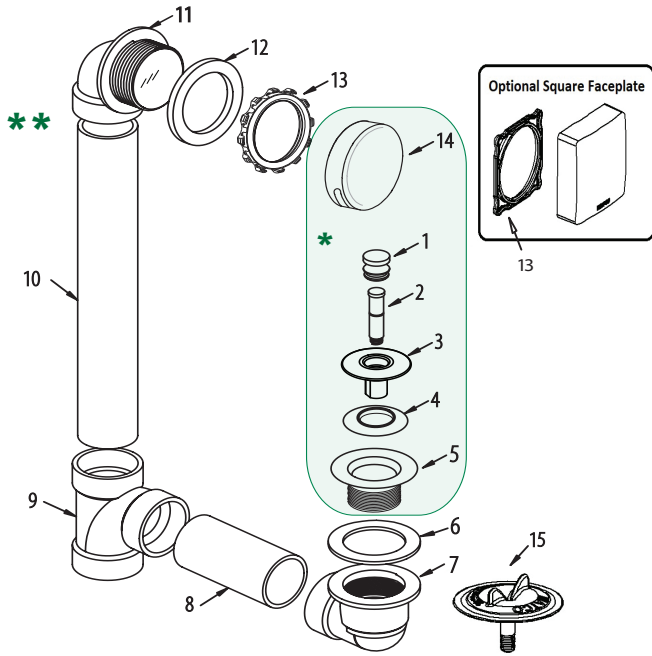


900/901 Series Parts List



Item	Part #	Description
1	01010CP	PUSH PULL® Knob, Brass
2	11584	Friction Ring (11504) and Post (11508)
3	01013CP	Stopper, Brass
4	11507	Seal, 1 1/16" dia.
5	01016CP	Strainer Body, 1.865" - 11.5 - 1.25"
6	10696	Drain Ell Washer, 1.5" gray
7	11008	Drain Ell, Schedule 40, ABS
	14008	Drain Ell, Schedule 40, PVC
8	11605	Pipe, Schedule 40, ABS, 1.5" x 4.625"
	11606	Pipe, Schedule 40, PVC, 1.5" x 4.625"
9	14011	Sanitary Tee, Schedule 40, ABS
	14010	Sanitary Tee, Schedule 40, PVC
10	11605	Pipe, Schedule 40 ABS, 1.5" x 11.75"
	11606	Pipe, Schedule 40 PVC, 1.5" x 11.75"
11	11020	Innovator® Overflow Ell, Schedule 40, ABS
	14020	Innovator® Overflow Ell, Schedule 40, PVC
12	10675	Overflow Ell Washer, Foam
13	11121	ABS Star Retainer Nut for Innovator®
	11127	ABS Square Retainer Nut for Innovator®
14	01005CP	Overflow Plate for Innovator®
	01007CP	Square Face Plate for Innovator®

Parts Bag #11810-__: #6, #12, #13, and #14

Half Kits consist of parts #1-#7 and #11-#15.

* SF: (example: 900-PPSE) Parts #1 thru #4, and #14

** RI: (example: 900-PPRI) Parts #5 thru #13, and #15

OPTIONAL TUB CLOSURES FOR 900/901-SERIES BATH WASTES (PUSH PULL® ALSO SHOWN ABOVE)

PUSH PULL®
Coarse Thread

1.	01010CP
	01010__*
2.	11584
3.	01013CP
	01013__*
4.	11507
5.	01016CP
	01016__*

LIFT & TURN
Coarse Thread

1.	01010CP
	01010__*
2.	11079
3.	11088
4.	11290CP
	01013__*
5.	11507
6.	11492CP
	01016__*

PRESFLO®
Coarse Thread

1.	11145CP
	11145__*
2.	11132
3.	11060CP
	11060__*
4.	96039:
	Suction Cup for removing stopper

FOOT ACTUATED
Coarse Thread

1.	38412-CP
	38412-__*
2.	11492-CP
	01016-__*

*If finish other than Chrome is desired, please use this part number and indicate desired finish.

Finishes Available in the 900/901 Series:

921 PUSH PULL®

- 11309CP
- 11584
- 11290CP
- 11507
- 01016CP

951 PUSH PULL®

- 11309CP
- 11584
- 11290CP
- 11507
- 11492CP

Tub Closure:	PUSH PULL®	LIFT & TURN	PRESFLO®	FOOT ACT.
AP - Aged Pewter	•	•	•	
BB - Brushed Bronze	•	•	•	•
BN - Brushed Nickel	•	•	•	•
BO - Bone	•	•		
BS - Biscuit	•	•		
BZ - Oil-Rubbed Bronze	•	•	•	•
CB - Chrome Brushed	•	•	•	•
CP - Chrome Plated	•	•	•	•
NP - Nickel Polished	•	•	•	•
PB - Polished Brass	•	•	•	•
WH - White	•	•	•	•
WI - Wrought Iron	•	•	•	•

Roughing-In Dimensions

