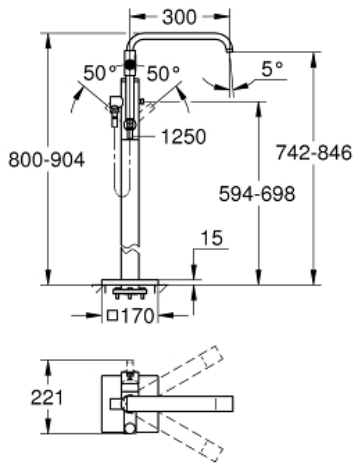
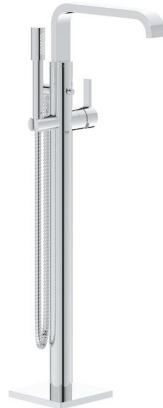


ALLURE
Floor Standing Tub Filler
MODEL # 32754001

Pure Freude
an Wasser



Product Description:
ALLURE
Floor Standing Tub Filler

Standard Specification:

- Requires Rough-In Set (29 038 001) (sold separately)
- **GROHE SilkMove** ceramic cartridge
- **GROHE StarLight** chrome finish
- Automatic diverter: bath/shower
- Swivel tubular spout with flow control and stop limiter
- 11 13/16" Spout reach
- 1/2" (13mm) Integrated non-return valve in the shower outlet
- With shower holder
- Sena handshower
- Check valve included to prevent backflow
- Min. recommended pressure: 15 psi (1.0 bar)
- Max Flow Rate 7 gpm at 45 psi (26.5 L/min), 2.5 gpm at 80 psi (9.5 L/min) for Hand Shower
- Shower hose 49"

Color:

- 32754001 StarLight Chrome

