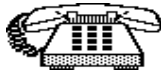




MODEL: 52WH244P, 52WH244PF,  
52WH244DP, 52WH246DP,  
52WH244DPF, 52WH246DPF  
RECESSED MOUNTED, STEEL  
MEDICINE CABINETS



**For help, call us  
toll free!  
1-800-637-1453**

## INSTALLATION INSTRUCTIONS

MODEL NO.	WALL OPENING			OVERALL SIZE		
	W	H	D	W	H	D
52WH244P	14 <sup>1</sup> / <sub>4</sub>	24	4	15	25	5
52WH244PF	14 <sup>1</sup> / <sub>4</sub>	24	4	15	25	5
52WH244DP	14 <sup>1</sup> / <sub>4</sub>	24	4	15	25	5
52WH246DP	14 <sup>1</sup> / <sub>4</sub>	24	6	15	25	7
52WH244DPF	14 <sup>1</sup> / <sub>4</sub>	24	4	15	25	5
52WH246DPF	14 <sup>1</sup> / <sub>4</sub>	24	6	15	25	7

### INSTALLATION of CABINET

- Carefully remove all packing material. Place hardware packages, shelves and door aside until needed. Hardware and shelves are located in the fillers identified by "Hardware enclosed" tape.
- Determine desired location of cabinet on wall. Mark wall to show wall opening size (see dimension chart). Generally, the recommended height to the center of the cabinet is 64" from the floor. (Fig. 1)
- CAUTION:** Wall studs, plumbing or electrical lines that interfere must be removed or relocated. Cut wall opening, being careful not to damage the surrounding wall surface. Insert framing to support all plaster board edges.
- Prepare the mounting screws by placing the screws into the clear plastic bases. (Fig. 2)
- Note: For ease of installation, an additional person is recommended. Insert cabinet into wall opening. (Fig. 3) Ensure the cabinet is plumb and level. If necessary use a carpenter's level and shim corners of cabinet. Secure to wall studs through the four (4) mounting holes inside cabinet, using the screws that have been placed into the plastic bases. (Fig. 4) Do not over tighten the mounting screws as the body side wall may bend and prevent proper shelf installation. Only tighten screws until they are flush with the body.
- Snap the screw covers over the screw bases. (Fig.5)

Fig. 1

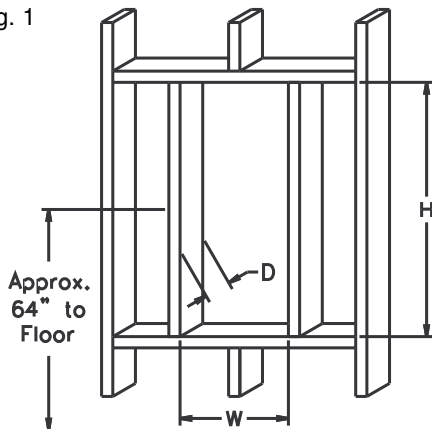


Fig. 2

Insert screw through clear plastic base

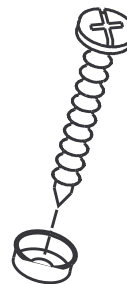


Fig. 5

Snap on Cover

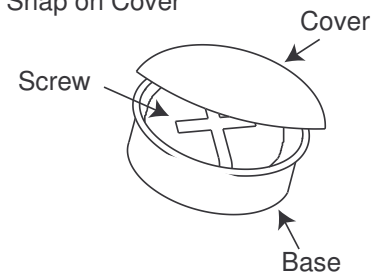


Fig. 3

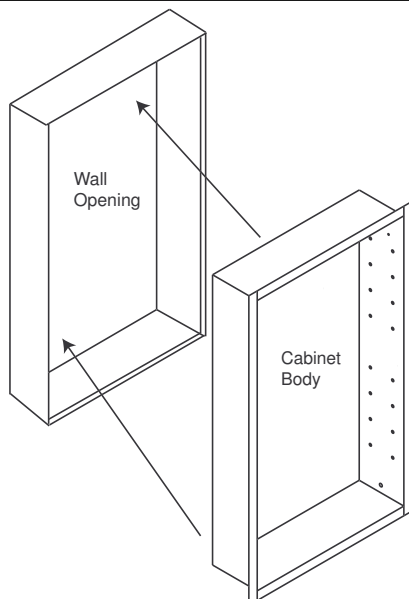
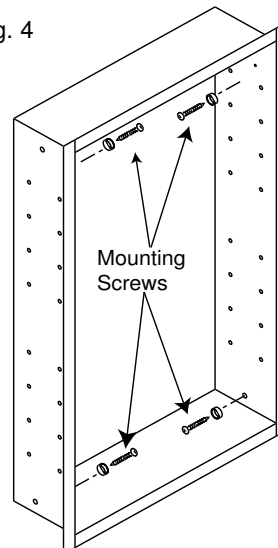
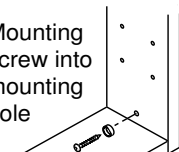


Fig. 4

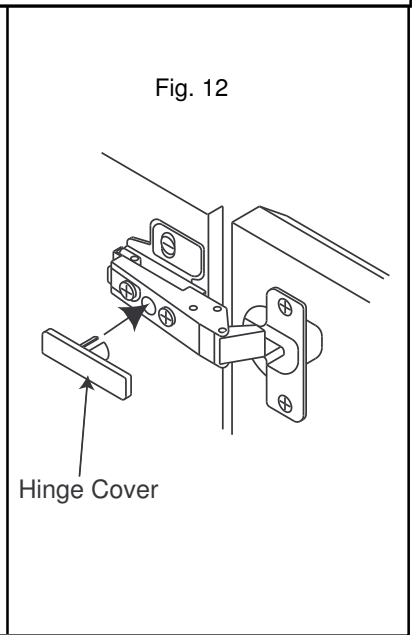
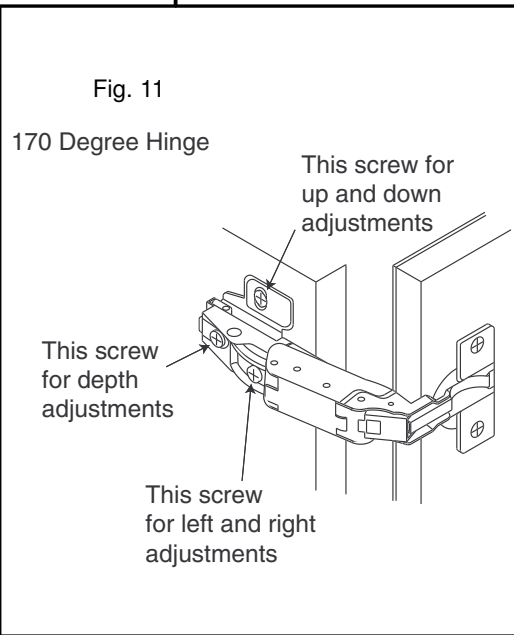
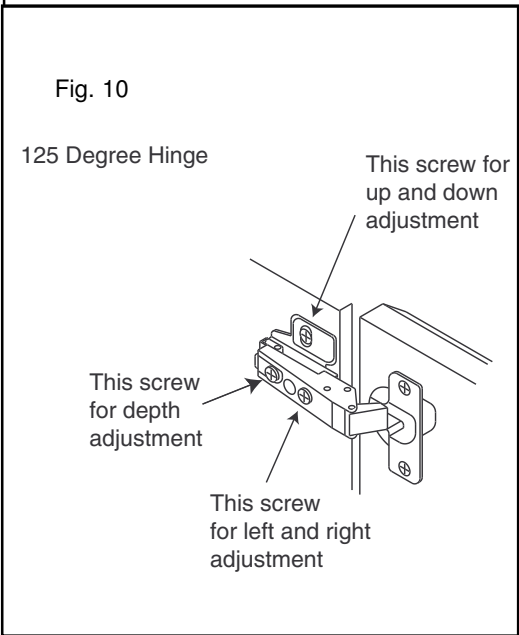
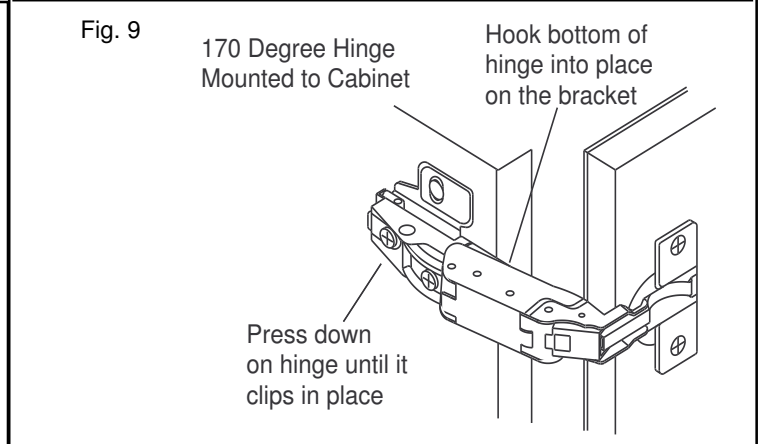
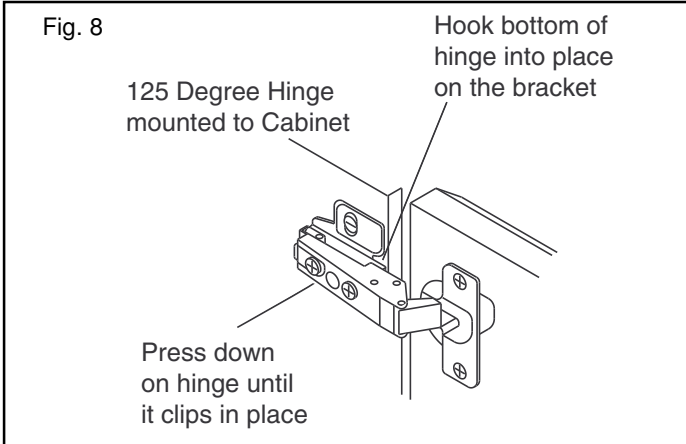
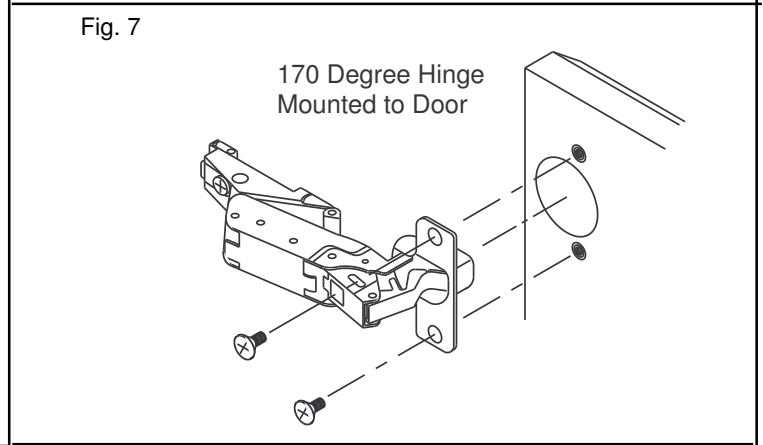
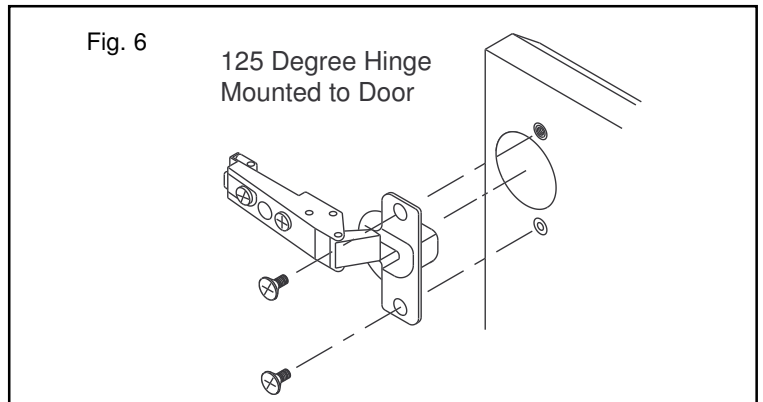


Mounting screw into mounting hole



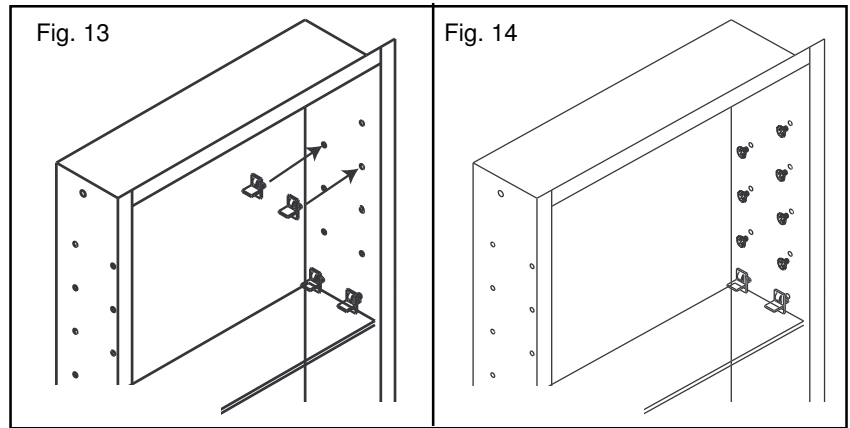
## INSTALLATION of DOORS

1. Remove hinges and screws from hardware bag. Mount hinge unit on door as shown in Fig. 6 and Fig. 7 securing with screws provided.
2. Install the door by inserting door side of the hinge into the bracket on the body as shown;
  - A) 125 degree hinge  
Insert door side of clip hinge as shown in Fig. 8
  - B) 170 degree hinge  
Insert door side of clip hinge as shown in Fig. 9
3. Check door for proper alignment. If the door needs to be adjusted please refer to the adjustment procedures in Fig. 10 and Fig. 11. Door edges should be aligned with the edges of the body and should fit evenly to the face of the body.
4. 125 degree hinge only: Snap on hinge cover plate. (Fig. 12)



## **INSTALLATION of SHELVES, HOLE PLUGS AND BUMPERS**

1. Select where you want the shelves to be placed.
2. Insert two (2) shelf brackets at each end of the shelf location. (Fig. 13)
3. Set shelves in place on the shelf brackets, pressing down on shelf to lock in place. (Fig. 13)
4. Remove hole plugs from hardware bag and place in remaining holes. ( Fig. 14)
5. Remove bumpers from hardware bag and position to body. (Refer to Service Parts Drawing - Key No. 9 for bumper locations)



### **MIRROR CARE**

- Use only clean warm water and a clean, soft, lint-free cloth.
- DO NOT USE cleaners that contain solutions of ammonia, vinegar, or chlorine.
- DO NOT USE powdered cleansers or steel wool.
- Never spray cleaning agent directly on mirror, especially on exposed edges and mirror backing. Apply cleaner to soft cloth and wipe mirror. Dry mirror thoroughly.
- Keep mirror dry. A well ventilated bath room is important.

### **BROAN-NUTONE ONE YEAR LIMITED WARRANTY**

Broan-NuTone warrants to the original consumer purchaser of its product that such products will be free from defects in materials or workmanship for a period of one year from the date of original purchase. THERE ARE NO OTHER WARRANTIES, EXPRESS OR IMPLIED, INCLUDING, BUT NOT LIMITED TO, IMPLIED WARRANTIES OF MERCHANTABILITY OR FITNESS FOR A PARTICULAR PURPOSE.

During this one-year period, Broan-NuTone will, at its option, repair or replace, without charge, any product or part which is found to be defective under normal use and service.

**THIS WARRANTY DOES NOT EXTEND TO FLUORESCENT LAMP STARTERS AND TUBES.** This warranty does not cover (a) normal maintenance and service or (b) any product or parts which have been subject to misuse, negligence, accident, improper maintenance or repair (other than by Broan-NuTone), faulty installation or installation contrary to recommended installation instructions.

The duration of any implied warranty is limited to the one-year period as specified for the express warranty. Some states do not allow limitation on how long an implied warranty lasts, so the above limitation may not apply to you.

**BROAN-NUTONE'S OBLIGATION TO REPAIR OR REPLACE, AT BROAN-NUTONE'S OPTION, SHALL BE THE PURCHASER'S SOLE AND EXCLUSIVE REMEDY UNDER THIS WARRANTY. BROAN-NUTONE SHALL NOT BE LIABLE FOR INCIDENTAL, CONSEQUENTIAL OR SPECIAL DAMAGES ARISING OUT OF OR IN CONNECTION WITH PRODUCT USE OR PERFORMANCE.**

Some states do not allow the exclusion or limitation of incidental or consequential damages, so the above limitation or exclusion may not apply to you.

This warranty gives you specific legal rights, and you may also have other rights, which vary from state to state. This warranty supersedes all prior warranties.

To qualify for warranty service, you must (a) notify Broan-NuTone at the address or telephone number stated below, (b) give the model number and part identification and (c) describe the nature of any defect in the product or part. At all time of requesting warranty service, you must present evidence of the original purchase date.

Broan-NuTone LLC, 926 West State Street, Hartford, WI 53027  
(1-800-637-1453)