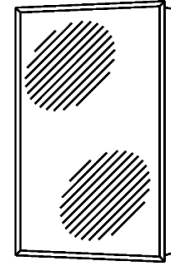


Styleline MEDICINE CABINET

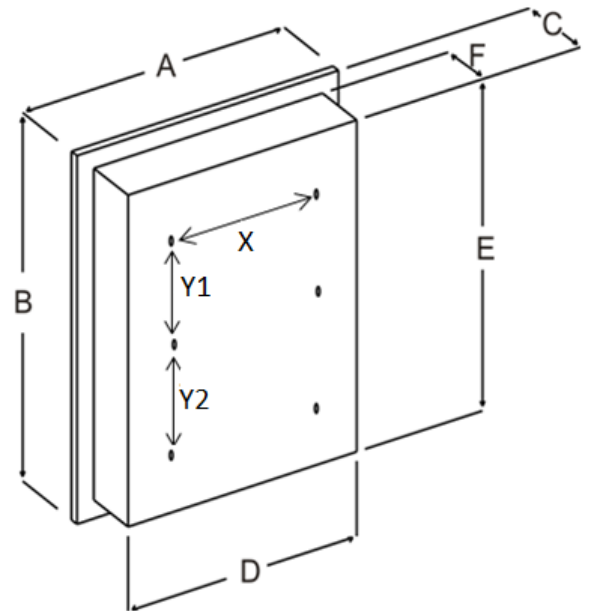


FEATURES/TYPICAL SPECIFICATIONS

- Surface Mount Installation
 - Pre-drilled mounting holes spacing: $y1 = 11.625''$ center-to-center, $y2 = 18.3''$ center-to-center and $x = 13.0''$ center-to-center
- Formed and welded steel housing (WB/ST)
 - 20 gauge steel construction with white, heat cured, acrylic paint finish
- Framed mirror door
 - Polished stainless steel frame (SS8)
 - 1/8" thick float glass mirror door front
 - 26 gauge steel door back with white, heat cured, acrylic paint finish
- 32" piano hinge with 90° stop welded to door and mechanically fastened to the cabinet body (HG01) (1 typical)
- Magnetic catch in cabinet body flange aligns to stainless steel striker plate on the door (2 typical)
- Reversible for left-hand or right-hand door swing
- 26 gauge galvanized steel shelves with white, heat cured, enamel paint finish, adjustable (ADJ) (3 typical)
- Includes installation hardware
- Pallet Quantity = 20 units

Finishes:

Housing: PT01—Basic White
 Mirror: Flat Mirror
 Frame: SS8—Polished Stainless Steel



Model #	Description	Dimensions In Inches					
		A	B	C	D	E	F
M18369301	MEDCAB 1DR 18X36 SS8 WB/ST	18½	36½	5	17½	35	4-11/16

REFERENCE	QTY.	REMARKS	Project
			Location
			Architect
			Engineer
			Contractor
			Submitted by
			Date

* All models and material specifications are subject to change or withdrawal without notice.