

# 1323362P – REMODELINE SECTIONALS

inches (mm)

32 x 36 x 72(815 x 915 x 1830) • Fax on Demand #3002



## FEATURES

- 2-piece shower
- Smooth wall
- Molded toiletry shelf
- Space saving design (Not listed by IAPMO or FHA)
- Requires 50" turning space
- Center drain
- Gelcoat surface
- 5-year limited warranty

## OPTIONS

- Grab bar reinforcement
- Factory installed assisted care grab bars
- Brass shower drain
- Shower Door Series L001

## AQUATIC ADVANTAGE

- National distribution
- 5 manufacturing facilities
- Private fleet
- Centralized customer service
- Field support
- 24-hour fax-on-demand

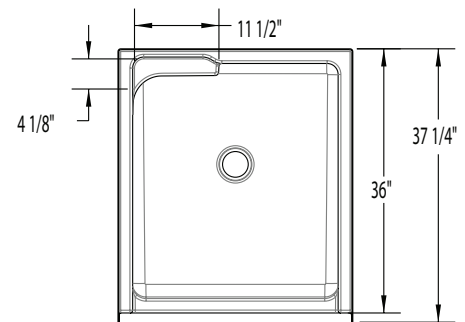
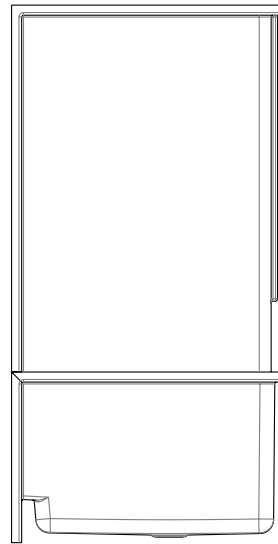
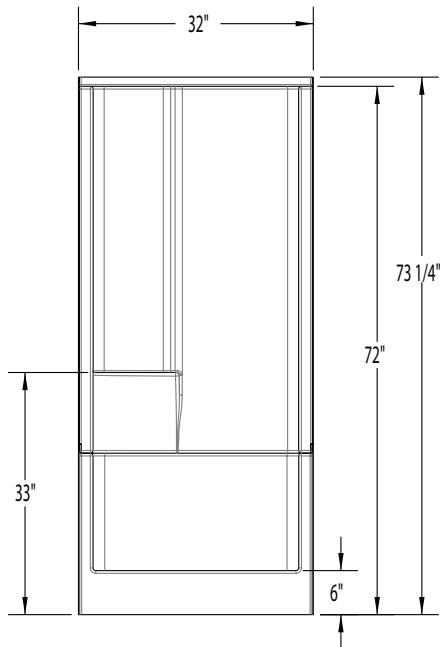
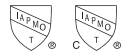
## COLOR & TRIM OPTIONS

Stock	Premium
Almond	Black
Biscuit	Mexican Sand
Bone	Sand Bar
Linen	
Sterling Silver	
White	



# 1323362P

32 x 36 x 72 (815 x 915 x 1830)  
inches (mm)



**FEATURES** lbs (kg) Dimensional Tolerance  $\pm \frac{3}{16}$ ". Dimensions needed for site preparation should be measured from the unit. Aquatic assumes no responsibility for preparatory work.

Model #	Material	Wall Finish	Pieces	Drain	Seat	Net Wt.	Pkg. Wt.
Shower #1323362P	Gelcoat	Smooth	2	Center	-	97 (44)	102 (46)

## DIMENSIONS

Specifications	inches (mm)
Width: Overall / Net	32 (815)
Depth: Overall / Net	37 1/4 (945) / 36 (915)
Height: Overall / Net	73 1/4 (1860) / 72 (1830)
Enclosure Opening	29 3/4 (755)
Skirt Height	6 (150)
Drain Rough-In (from Back Wall)	15 3/4 (400)
Drain Rough-In (from Side Wall)	16 (405)
Drain: Diameter / Clearance	3 1/4 (85) / 3/4 (20)

## FRAMING DIMENSIONS inches (mm)

Type	D Depth	W Width	H Height	A	B	C
Alcove	37 1/4 (945)	32 1/8 (815)	-	Box Out	16 (405)	15 3/4 (400)

