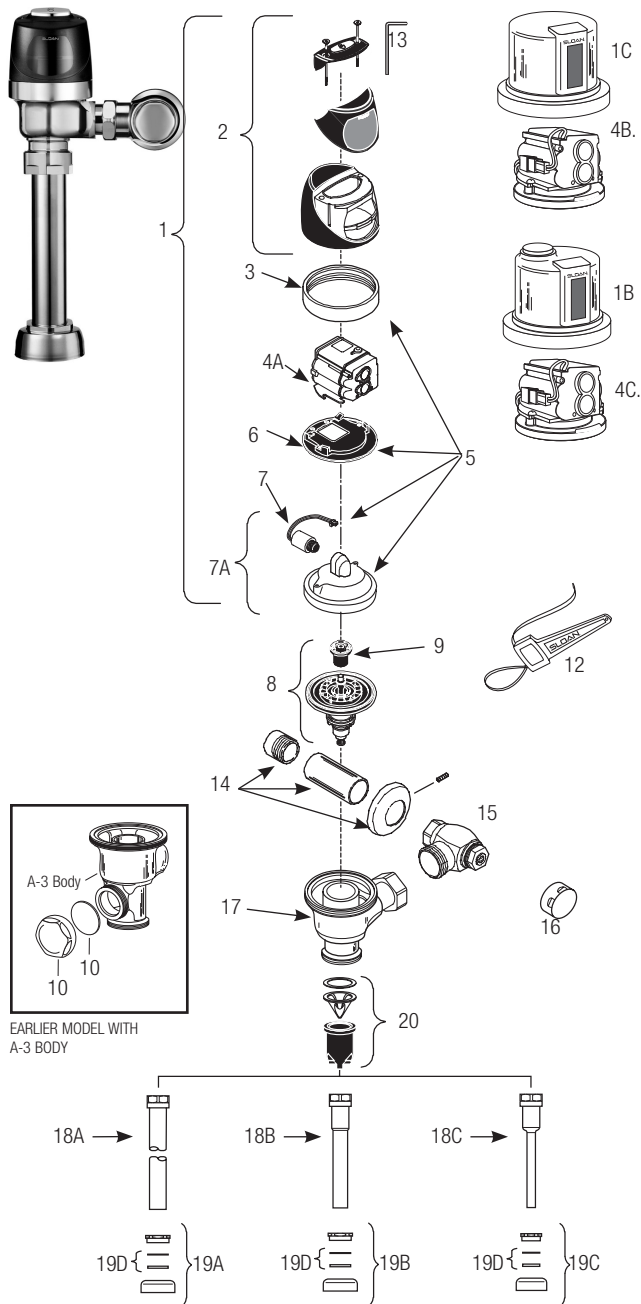


# Optima® Sloan Flushometer



EARLIER MODEL WITH A-3 BODY

## PARTS LIST

Item No.	Code No.	Part No.	Description
1.	<b>0325298</b>	EBV-189-A	Cover/Ring/Sensor Assembly - Water Closet
	<b>0325299</b>	EBV-190-A	Cover/Ring/Sensor Assembly - Urinal
	<b>0325239</b>	EBV-198-A	Cover/Ring/Sensor Assembly - Water Closet fits Zurn† valve bodies
	<b>0325240</b>	EBV-199-A	Cover/Ring/Sensor Assembly - Urinal fits Zurn† valve bodies
1B.	<b>3325013</b>	EBV-60-A	Kit Metal Cover w/Override – Water Closet
1C.	<b>3325012</b>	EBV-55A	Kit Metal Cover Less Override- Urinal
2.	<b>0325241</b>	EBV-192-A	Cover Assembly
3.	<b>0325804PK</b>	EBV-14	Locking Ring
	<b>3325524</b>	EBV-31	Locking Ring - fits Zurn† valve bodies
4A.	<b>3325450</b>	EBV-129-A-C	Electronic Module - Water Closet
	<b>3325451</b>	EBV-129-A-U	Electronic Module - Urinal
4B.	<b>0325176</b>	EBV-146A-C G2	Sensor Assembly-Closet
4C.	<b>0325177</b>	EBV-146A-U G2	Sensor Assembly-Urinal
5.	<b>3325089</b>	EBV-1010-A	Metal Inner Cover Repair Kit Includes Items Nos. 3, 5, 6 and 7
6.	<b>0325171</b>	EBV-134	Cover Rest Plate
7.	<b>3325453</b>	EBV-136-A	Solenoid
7A.	<b>3325456</b>	EBV-145-A	Inside Cover Assembly (includes solenoid EBV-136-A) Does not replace Plastic Inner Cover. Use Item No. 5
8.	<b>SEE CHART NEXT PAGE</b>		Flex Tube Diaphragm Assembly
9.	<b>SEE CHART NEXT PAGE</b>		Flush Volume Regulator
10.	<b>3325814</b>	EBV-1017	Handle Cap Kit
11.	<del>0325107</del>	EBV-9†	Trimpot Adjustment Screwdriver <b>OBSELETE</b>
12.	<b>0305823</b>	EBV-22	Strap Wrench
13.	<b>0325159</b>	EBV-137	7/64" Hex Wrench
14.	<b>3308785</b>	H-634-AA	1" (25 mm) Sweat Solder Kit
	<b>3308788</b>	H-636-AA	3/4" (19 mm) Sweat Solder Kit
15.	<b>3308386</b>	H-700-A	1" (25 mm) Bak-Chek® Control Stop
	<b>3308384</b>	H-700-A	3/4" (19 mm) Bak-Chek® Control Stop
16.	<b>3308840</b>	H-573-A	Stop Cap
17.	<b>0305381PK</b>	EBV-36-A	Valve Body *
18A.	<b>5323007</b>	V-500-AA	1-1/2" (38 mm) x 9" (229 mm) Vacuum Breaker (Model 8110/8111) (6 pack)
	<b>0323014</b>	V-500-AA	1-1/2" (38 mm) x 13 1/2" (343 mm) Vacuum Breaker (Model 8113)
	<b>0323019</b>	V-500-AA	1-1/2" (38 mm) x 23" (584 mm) Vacuum Breaker (Model 8115)
	<b>0323021</b>	V-500-AA	1-1/2" (38 mm) x 26" (660 mm) Vacuum Breaker (Model 8116)
18B.	<b>5323006</b>	V-500-AA	1-1/4" (32 mm) x 9" (229 mm) Vacuum Breaker (Model 8180)
18C.	<b>5323005</b>	V-500-AA	3/4" (19 mm) x 9" (229 mm) Vacuum Breaker (Model 8186)
19A.	<b>0306145</b>	F-56-A	1-1/2" Spud Coupling Assembly (Models 8110, 8115 & 8116)
19B.	<b>0306142</b>	F-55-A	1-1/4" Spud Coupling Assembly (Model 8180)
19C.	<b>0306102</b>	F-54-A	3/4" Spud Coupling Assembly (Model 8186)
19D.	<b>SEE SLIP JOINT GASKETS AND RINGS TABLE ON NEXT PAGE</b>		
20.	<b>3323192</b>	V-551-A	Vacuum Breaker Repair Kit

\* Part number varies with valve model variation; consult factory.

† Zurn® is a registered trademark of Zurco, Inc. Use of "Zurn" is for identification purposes only and does not imply affiliation, endorsement, or association between Sloan and Zurco, Inc.