

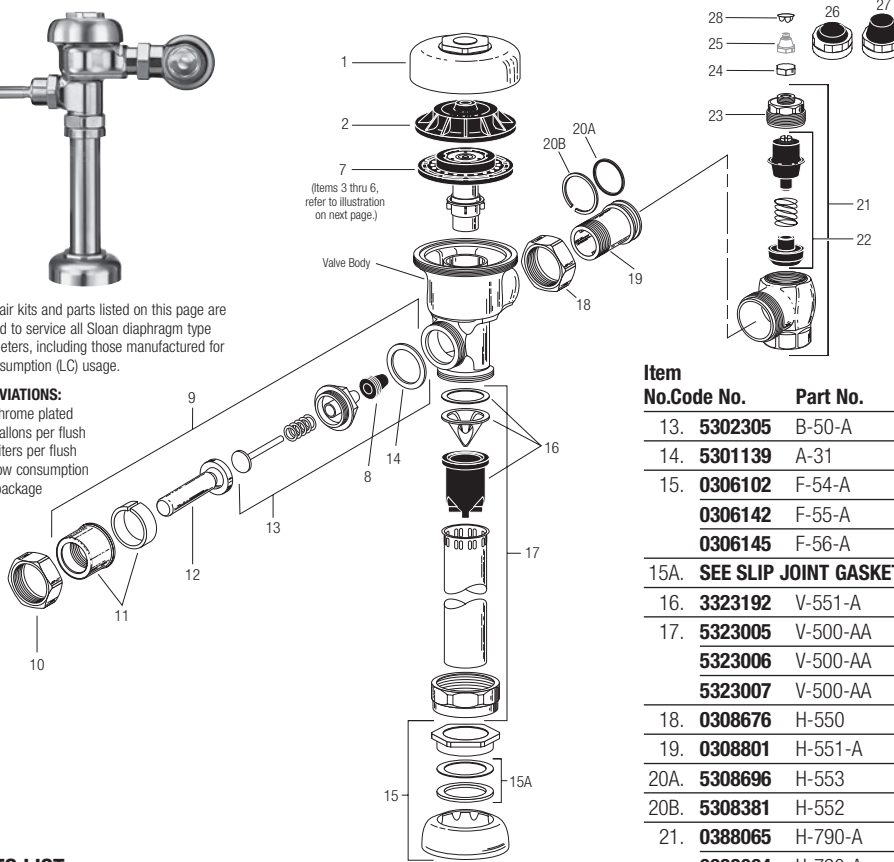
Regal® Flushometer

NOTE: Also for use with Regal® XL
(Since mid-2010)



The repair kits and parts listed on this page are designed to service all Sloan diaphragm type flushometers, including those manufactured for low consumption (LC) usage.

ABBREVIATIONS:
CP = Chrome plated
gpf = gallons per flush
Lpf = Liters per flush
LC = Low consumption
pkg = package



TAILPIECES, CONTROL STOPS AND FLUSH CONNECTIONS

For additional information on tailpieces, control stops and flush connections see Showerheads, Parts and Accessories Tab.

PARTS LIST

Item No.	Code No.	Part No.	Description
1.	0317004	R-10	CP Cover
	—	R-10-HE	CP High Efficiency Cover
2.	0301168	A-71	Inside Cover
SEE ITEMS 3A THROUGH 6E IN CHART ON NEXT PAGE			
3A.	5301058	A-19-AC	Relief Valve, White (Closet) – 12 per package
3B.	5301059	A-19-AU	Relief Valve, Black (Urinal) – 12 per package
3C.	5301211	A-19-ALC	Relief Valve, Green (Closet/Urinal-LC) – 12 per package
3D.	0301143	A-19-AL	Relief Valve, Blue (9 Liter Closet)
4.	5301111	A-15-A	Disc – for all Inside Parts Kits – 12 per package
5.	5301188	A-156-A	Diaphragm – for all Inside Parts Kits – 12 per package
6A.	5301236	A-163-A	Guide Assembly 4.5 gpf/17.0 Lpf Closet & 1.5 gpf/5.7 Lpf Urinal – 12 per package
6B.	5301032	A-152-A	Guide Assembly 3.5 gpf/13.2 Lpf Closet – 12 per package
6C.	5301031	A-151-A	Guide Assembly 1.6 gpf/6.0 Lpf LC Closet – 12 per package
6D.	5301155	A-155-A	Guide Assembly 1.0 gpf/3.8 Lpf LC Urinal – 12 per package
6E.	5301157	A-157-A	Guide Assembly 0.5 gpf/1.9 Lpf Urinal – 12 per package
7.	SEE INSIDE PARTS KITS CHART ON NEXT PAGE		
8.	5302297	B-39	Seal – 12 per package
9.	5302279	B-32-A	CP Handle Assembly – 6 per package
	0302390	B-73-A	CP Handicap Handle Assembly (ADA Compliant)
10.	0301082	A-6	CP Handle Coupling
11.	0302109	B-7-A	CP Socket Assembly
12.	5302274	B-32	CP Handle Grip – 12 per package
	0302389	B-74-A	CP Handicap Handle Grip (ADA Compliant)

Item No.	Code No.	Part No.	Description
13.	5302305	B-50-A	Handle Repair Kit – 6 per package
14.	5301139	A-31	Handle Gasket – 48 per package
15.	0306102	F-54-A	3/4" CP Spud Coupling Assembly
	0306142	F-55-A	1-1/4" CP Spud Coupling Assembly
	0306145	F-56-A	1-1/2" CP Spud Coupling Assembly
15A.	SEE SLIP JOINT GASKETS AND RINGS TABLE BELOW		
16.	3323192	V-551-A	Vacuum Breaker Repair Kit
17.	5323005	V-500-AA	3/4" x 9" CP Vacuum Breaker – 6 per package
	5323006	V-500-AA	1-1/4" x 9" CP Vacuum Breaker – 6 per package
	5323007	V-500-AA	1-1/2" x 9" CP Vacuum Breaker – 6 per package
18.	0308676	H-550	CP Stop Coupling†
19.	0308801	H-551-A	CP Adjustable Tailpiece 2-1/16" long†
20A.	5308696	H-553	O-ring – 24 per package
20B.	5308381	H-552	Locking ring – 12 per package
21.	0388065	H-790-A	1" Screwdriver Bak-Chek® Stop CP – complete
	0388064	H-790-A	3/4" Screwdriver Bak-Chek® Stop CP – complete
	0388029	H-740-A	1" Screwdriver Bak-Chek® Stop CP – OBsolete
	0388031	H-740-A	3/4" Screwdriver Bak-Chek® Stop CP – OBsolete
22.	3308853	H-541-ASD	1" Control Stop Repair Kit *
	3308856	H-543-ASD	3/4" Control Stop Repair Kit **
23.	0308612	H-622	CP Bonnet (Current Regal)
	0308991	H-639	CP Bonnet – Pre 2010 Regal Stops*
	0308601	H-538	CP Bonnet ** – OBsolete
24.	5388001	H-1012-A	CP Cap – 6 per package VP
25.	5310034	J-2/J-7	Bumper Assembly – 6 per package – OBsolete
26.	3308866	H-574	Stop Cap, chrome plated with Seat Bumper (-YO)
27.	3308867	H-576	Stop Cap, chrome plated with Extended Seat Bumper (-YG)
28.	5388002	H-528	Hole Plug
29.	3388015	H-1015	Flow Control Kit (HEU Only) (not Shown)

† See pages 100-101 for additional lengths
*For use with 1" and 3/4" H-740-A CP (less cap) and 1" – H-540-A CP (with H-37 cap) Bak-Chek® screwdriver control stops

**For use with 3/4" H-740-A CP Bak-Chek® screwdriver control stops

ITEM 15A. SLIP JOINT GASKETS AND RINGS

Size	Code No.	Part No.	Description
1-1/2"	5306058	F-3	Red Friction Ring
	5322001	VBF-5	Black Slip Joint Gasket
	0319086/5319086	S-30	Flexible Seat
	0319079	S-21	Rigid Seat (rubber over brass)
1-1/2" x 1-1/4"	0396062	F-105	Slip Joint Gasket – Rigid
1-1/4"	5306057	F-3	Red Friction Ring
	5322176	VBF-5	Black Slip Joint Gasket
	0307052/5307052	G-21	Rigid Seat (rubber over brass)
	1"	5306056	F-3
	5306115	F-5	Black Slip Joint Gasket
3/4"	5306055	F-3	Red Friction Ring
	5306113	F-5	Black Slip Joint Gasket

Flushometer Parts Quick Reference Guide

V-500-AA VACUUM BREAKER FLUSH CONNECTION

Code No.	Part No.	Description
5323006	V-500-AA	CP Vacuum Breaker 1-1/4" x 9"
5323005	V-500-AA	CP Vacuum Breaker 3/4" x 9"
5323007	V-500-AA	CP Vacuum Breaker 1-1/2" x 9"
0323229	V-500-AA	CP Vacuum Breaker 1-1/2" x 22-1/2" w/2" Offset
0323225	V-500-AA	CP Vacuum Breaker 1-1/2" x 22-13/16" w/1" Offset
0323227	V-500-AA	CP Vacuum Breaker 1-1/2" x 22-5/8" w/1-1/2" Offset
0323230	V-500-AA	CP Vacuum Breaker 1-1/2" x 25-1/2" w/2" Offset
0323226	V-500-AA	CP Vacuum Breaker 1-1/2" x 25-13/16" w/1" Offset
0323228	V-500-AA	CP Vacuum Breaker 1-1/2" x 25-5/8" w/1-1/2" Offset
0323013	V-500-AA	CP Vacuum Breaker 1-1/2" x 10-1/2"
0323014	V-500-AA	CP Vacuum Breaker 1-1/2" x 13-1/2"
0323017	V-500-AA	CP Vacuum Breaker 1-1/2" x 15"
0323015	V-500-AA	CP Vacuum Breaker 1-1/2" x 21-1/2"
0323016	V-500-AA	CP Vacuum Breaker 1-1/2" x 24-1/2"
0323021	V-500-AA	CP Vacuum Breaker 1-1/2" x 26"
0323057	V-500-AA	CP Vacuum Breaker 1-1/2" x 32"
0323002	V-500-AA	CP Vacuum Breaker 1-1/4" x 10-1/2"
0323018	V-500-AA	CP Vacuum Breaker 1-1/4" x 13-1/2"
0323026	V-500-AA	CP Vacuum Breaker 1-1/4" x 15"
0323020	V-500-AA	CP Vacuum Breaker 1-1/4" x 21-1/2"
0323012	V-500-AA	CP Vacuum Breaker 1" x 9"
0323004	V-500-AA	CP Vacuum Breaker 3/4" x 10-1/2"
0323210	V-500-AA	CP Vacuum Breaker 3/4" x 15"
0323188	V-500-AA	RB Vacuum Breaker 1-1/2" x 11-1/2" w/3" Score
0323142	V-500-AA	RB Vacuum Breaker 1-1/2" x 13-1/2" w/3" Score
0323176	V-500-AA	RB Vacuum Breaker 1-1/2" x 17-1/2" w/3" Score
0323177	V-500-AA	RB Vacuum Breaker 1-1/2" x 22" w/3" Score
0323209	V-500-AA	RB Vacuum Breaker 1-1/2" x 30-1/2" w/3" Score
0323207	V-500-AA	RB Vacuum Breaker 1-1/2" x 6" w/3" Score
0323208	V-500-AA	RB Vacuum Breaker 1-1/2" x 7-1/2" w/3" Score

V-600-AA VACUUM BREAKER FLUSH CONNECTION

Code No.	Part No.	Description
0393029	V-600-AA	CP Vacuum Breaker 1-1/2" x 22-1/2" w/2" Offset
0393025	V-600-AA	CP Vacuum Breaker 1-1/2" x 22-13/16" w/1" Offset
0393027	V-600-AA	CP Vacuum Breaker 1-1/2" x 22-5/8" w/1-1/2" Offset
0393030	V-600-AA	CP Vacuum Breaker 1-1/2" x 25-1/2" w/2" Offset
0393026	V-600-AA	CP Vacuum Breaker 1-1/2" x 25-13/16" w/1" Offset
0393028	V-600-AA	CP Vacuum Breaker 1-1/2" x 25-5/8" w/1-1/2" Offset
0393008	V-600-AA	CP Vacuum Breaker 1-1/2" x 13-1/2"
0393031	V-600-AA	CP Vacuum Breaker 1-1/2" x 15"
0393009	V-600-AA	CP Vacuum Breaker 1-1/2" x 21-1/2"
0393010	V-600-AA	CP Vacuum Breaker 1-1/2" x 24-1/2"
0393038	V-600-AA	CP Vacuum Breaker 1-1/2" x 36"
3393007	V-600-AA	CP Vacuum Breaker 1-1/2" x 9" package
0393039	V-600-AA	CP Vacuum Breaker 1-1/4" x 13-1/2"
0393045	V-600-AA	CP Vacuum Breaker 1-1/4" x 21-1/2"
3393006	V-600-AA	CP Vacuum Breaker 1-1/4" x 9" package
0393046	V-600-AA	CP Vacuum Breaker 3/4" x 10-1/2"
0393047	V-600-AA	CP Vacuum Breaker 3/4" x 15"
3393004	V-600-AA	CP Vacuum Breaker 3/4" x 9" package

F-7 SUPPLY FLANGE

0306167	F-7	CP Flange Flat 1/2" IPS x 2-23/32"
0306188	F-7	CP Flange Flat 3/4" x 2-23/32"
0306238	F-7	CP Flange Spud 1-1/2" x 3" w/Prongs
0306214	F-7	CP Flange Spud 1-1/4" x 3" w/Prongs
0306197	F-7	CP Flange Spud 1" x 2-1/2" w/Prongs
0306189	F-7	CP Flange Spud 3/4" x 2-1/2" w/Prongs
0306205	F-7	CP Flange Supply 1-1/4" x 3"
0306196	F-7	CP Flange Supply 1" x 2-3/4" w/Prongs
0306191	F-7	CP Flange Supply 3/4" x 2-3/4" w/Prongs
0306209	F-7	CP Flange Supply Flat 1-1/4" x 3-1/8"
0306201	F-7	CP Flange Supply Flat 1" x 3-1/8"
0306204	F-7	CP Flange Tube 1-1/4" x 2-3/4" w/Prongs
0306237	F-7	CP Flange Tube 1-1/2" x 2-3/4" w/Prongs

F-15-A ELBOW FLUSH CONNECTION

0306341	F-15-A	CP Elbow Tail Assembly SJ 3/4" x 4"
0306362	F-15-A	RB Elbow Tail Assembly SJ 3/4" x 10"
0306366	F-15-A	RB Elbow Tail Assembly SJ 3/4" x 11"
0306340	F-15-A	RB Elbow Tail Assembly SJ 3/4" x 4"
0306344	F-15-A	RB Elbow Tail Assembly SJ 3/4" x 6"
0306350	F-15-A	RB Elbow Tail Assembly SJ 3/4" x 7"
0306355	F-15-A	RB Elbow Tail Assembly SJ 3/4" x 8"
0306358	F-15-A	RB Elbow Tail Assembly SJ 3/4" x 9"

F-100 FLARED END FLUSH CONNECTION

Code No.	Part No.	Description
0396160	F-100	RB Outlet 1-1/2" x 11-1/2" w/3" Score
0396167	F-100	RB Outlet 1-1/2" x 13-1/2" w/3" Score
0396168	F-100	RB Outlet 1-1/2" x 19-1/2" w/3" Score
0396169	F-100	RB Outlet 1-1/2" x 23-1/2" w/3" Score
0396156	F-100	RB Outlet 1-1/2" x 3-1/4" w/3" Score
0396157	F-100	RB Outlet 1-1/2" x 5-1/2" w/3" Score
0396158	F-100	RB Outlet 1-1/2" x 7-1/2" w/3" Score
0396159	F-100	RB Outlet 1-1/2" x 9-1/2" w/3" Score
0396161	F-100	RB Outlet 1-1/2" x 9-1/2" w/9" Score

F-109 TUBE BEND

Code No.	Part No.	Description
0396310	F-109	CP Tube Outlet 1-1/2" x 11-1/2" x 5" Bends
0396283	F-109	CP Tube Outlet 1-1/4" x 11-1/2" x 5" Bends
0396288	F-109	CP Tube Outlet 1-1/4" x 13-1/2" x 5" Bends
0396293	F-109	CP Tube Outlet 1-1/2" x 8-1/2" x 5" Bends
0396265	F-109	CP Tube Outlet 1-1/4" x 8-1/2" x 5" Bends
0396316	F-109	CP Tube Outlet 1-1/2" x 13" x 5" Bends
0396320	F-109	CP Tube Outlet 1-1/2" x 16" x 5" Bends
0396322	F-109	CP Tube Outlet 1-1/2" x 21" x 5" Bends
0396326	F-109	CP Tube Outlet 1-1/2" x 24" x 5" Bends
0396289	F-109	CP Tube Outlet 1-1/4" x 16" x 5" Bends
0396290	F-109	CP Tube Outlet 1-1/4" x 21" x 5" Bends
0396291	F-109	CP Tube Outlet 1-1/4" x 24" x 5" Bends