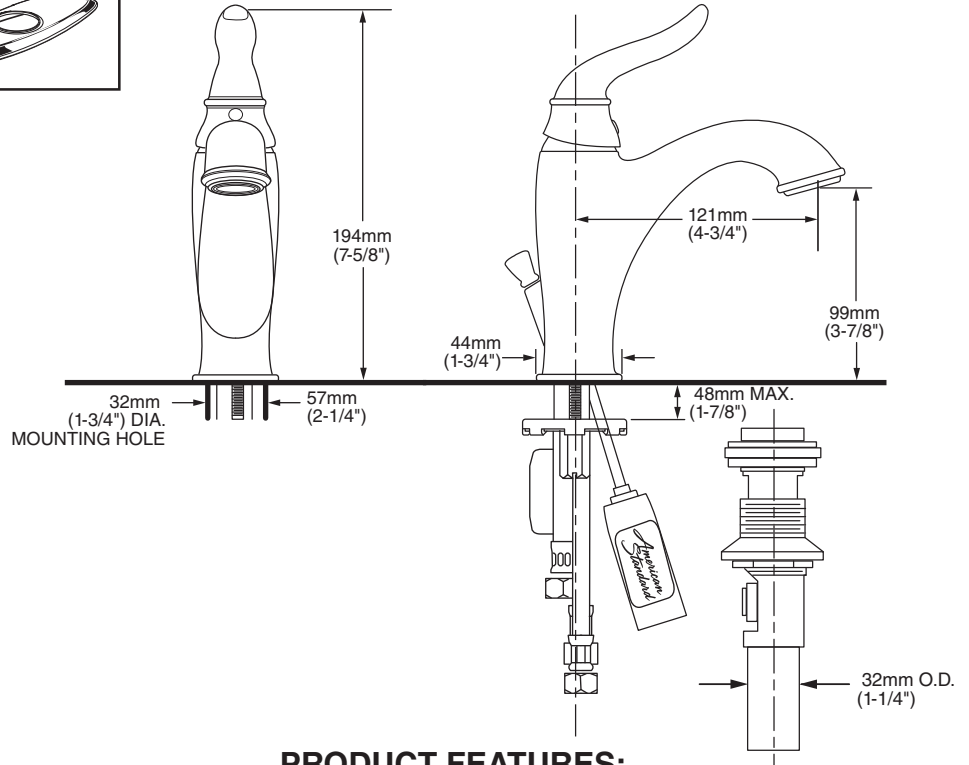
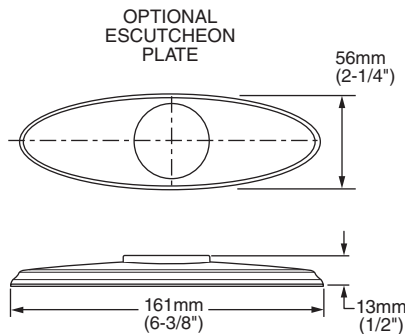


*WaterSense approval pending



GENERAL DESCRIPTION:

All metal body with choice of all metal lever handle. Washerless 35mm ceramic disc valve cartridge with integral hot limit safety stop. Braided flexible supply hoses with 3/8" compression connections. 20" (500mm) long flexible stainless steel drain cable is pre-assembled to faucet body. Metal Speed Connect® drain body with 1-1/4" (32mm) tail piece. 1.5 gpm/5.7L/min. maximum flow rate. Fitting can be mounted on 4" centers using optional escutcheon or single hole mounting method.

PRODUCT FEATURES:

Ceramic Disc Valve Cartridge: Assures smooth, precise valve control and a lifetime of drip-free, maintenance-free performance.

Adjustable Hot Limit Safety Stop: Limits the amount of hot water allowed to mix with cold. Reduces the risk of accidental scalding.

Lead Free: Faucet contains ≤ 0.25% total lead content by weighted average.

Exclusive Speed Connect® Metal Drain:

- Fewer parts. Installs in less time.
- No adjustments required - seals the first time, every time.
- Flexible stainless steel cable - installs effortlessly in tight spaces.

SUGGESTED SPECIFICATION

Monoblock lavatory fitting shall feature an all metal body with metal lever handle. Shall feature a flexible hose connections. Shall also feature a washerless ceramic disc valve cartridge with integral hot limit safety stop. Shall also feature a metal drain body with stainless steel cable actuation. Fitting shall be American Standard Model# 4508.101.____.

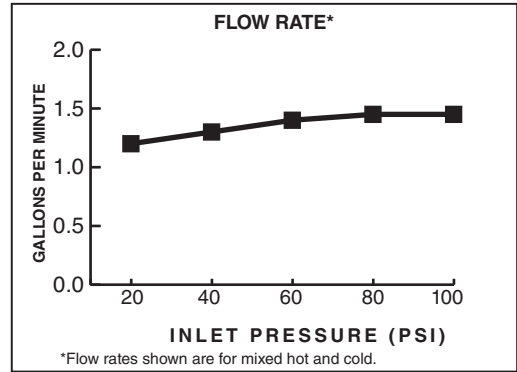


PRINCETON®
MONOBLOCK LAVATORY FAUCET

CODES AND STANDARDS

These products meet or exceed the following codes and standards:

- ANSI A117.1**
- ASME A112.18.1**
- CSA B 125.1**
- NSF 61/Section 9 and Annex G**



Product Number	Description	Finish Options		
		Polished Chrome	Oil Rubbed Bronze	PVD Satin Nickel
4508.101	Princeton® Monoblock Faucet. Metal Lever Handle. Metal Speed Connect® pop-up drain. Optional Escutcheon Plate.	002	224	295

 Meets the American Disabilities Act Guidelines and **ANSI A117.1** Requirements for the physically challenged.