

MOEN®

■ Order by Part Number

*There is more than one version of this model.
Page down to identify the version you have.*

Illustrated Parts

GENTA™ One-Handle Lavatory Faucet

MODEL	FINISH	NOTES
84760	Chrome	Non-Metallic Waste
84760SRN	Spot Resist	Non-Metallic Waste
	Brushed Nickel	
84760BL	Matte Black	Non-Metallic Waste

Plug Button

- 152859** Chrome
- 152859CSL** Classic Stainless
(Use for Spot Resist Brushed Nickel)
- 152859BL** Matte Black

Handle Kit *(Requires 3/32" hex key)*

- 175751** Chrome
- 175751SRS** Spot Resist Brushed Nickel
- 175751BL** Matte Black

Handle Dome

- 160660** Chrome
- 160660SRN** Spot Resist Brushed Nickel
- 160660BL** Matte Black

Lift Rod Kit

- 175752** Chrome
- 175752SRN** Spot Resist Brushed Nickel
- 175752BL** Matte Black

Deck Gasket

150567

Installation Tool

118305

Deck Plate

- 150568** Chrome
- 150568SRN** Spot Resist Brushed Nickel
- 150568BL** Matte Black

Cartridge, Cartridge Nut & Set Screw **160657**

Throat Cover Kit

- 175754** Chrome
- 175754SRN** Spot Resist Brushed Nickel
- 175754BN** Matte Black

Aerator Kit

- 181089** 1.2gpm

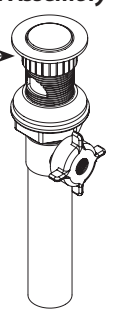
Mounting Shank **161259**

Hardware Kit **168809**

Mounting Nut
For models
prior to
8/2018

WASTE ASSEMBLIES

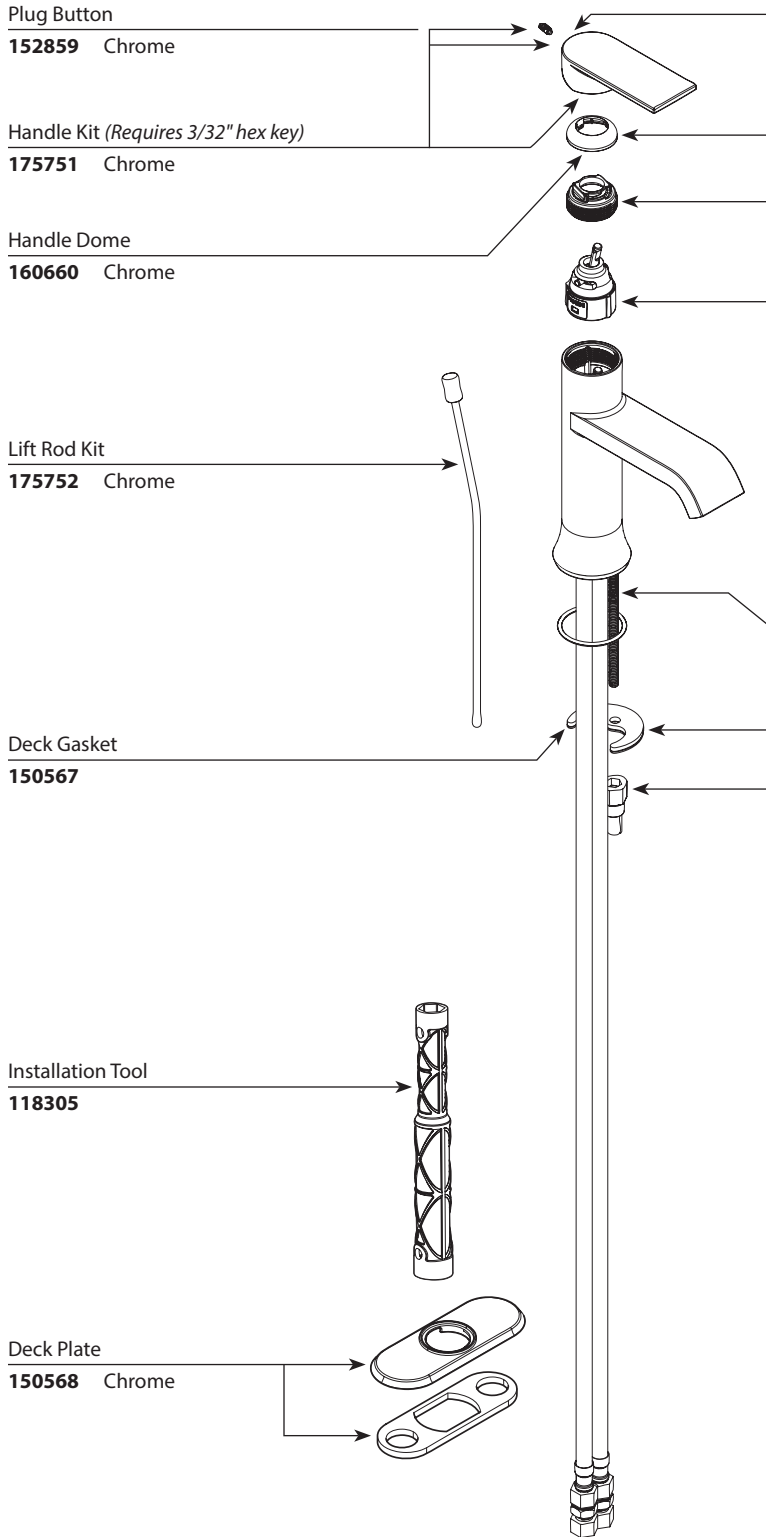
For Waste Service Order Full Assembly

<p>Non-Metallic Waste Assembly</p> <ul style="list-style-type: none"> 151018 Chrome 151018CSL Classic Stainless <i>(Used for SRN)</i> 151018BL Matte Black 	
--	---

■ Order by Part Number

Illustrated Parts

GENTA™		
One-Handle Lavatory Faucet		
MODEL	FINISH	NOTES
84760	Chrome	Non-Metallic Waste



Plug Button

152859 Chrome

Handle Kit (Requires 3/32" hex key)

175751 Chrome

Handle Dome

160660 Chrome

Lift Rod Kit

175752 Chrome

Deck Gasket

150567

Installation Tool

118305

Deck Plate

150568 Chrome

Cartridge, Cartridge Nut & Set Screw

160657

Aerator Kit

181089 1.2gpm

Throat Cover Kit

175754 Chrome

Mounting Shank

161259

Hardware Kit

168809

WASTE ASSEMBLIES	
Waste Plug	
12314	Chrome
Waste Assembly (Obsolete)	
139246	Chrome