



**T&S BRASS AND BRONZE WORKS, INC.**  
 2 Saddleback Cove / P.O. Box 1088  
 Travelers Rest, SC 29690

Model No.  
**001AS**

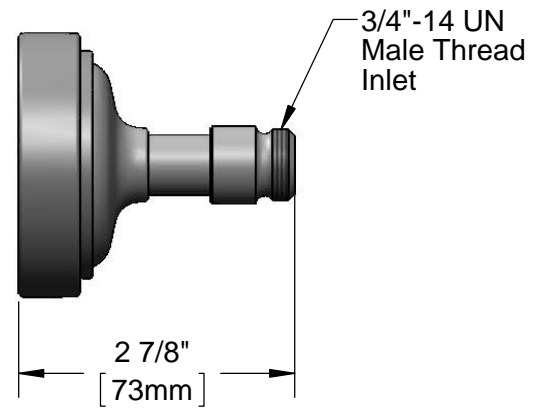
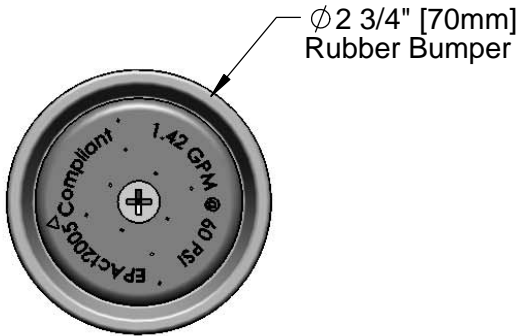
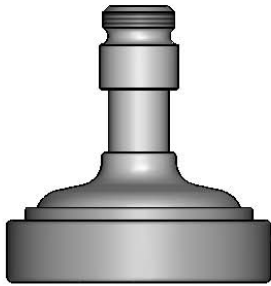
Item No.

Travelers Rest, SC: 800-476-4103 • Simi Valley, CA: 800-423-0150 • Fax: 864-834-3518 • www.tsbrass.com

This Space for Architect/Engineer Approval

Job Name \_\_\_\_\_ Date \_\_\_\_\_  
 Model Specified \_\_\_\_\_ Quantity \_\_\_\_\_  
 Customer/Wholesaler \_\_\_\_\_  
 Contractor \_\_\_\_\_  
 Architect/Engineer \_\_\_\_\_

**EPAct 2005 COMPLIANT**



Product Specifications:  
 Gray Spray Head w/ Adapter  
 (1.42 GPM @ 60 PSI)

Drawn <b>KJG</b>	Checked <b>DMH</b>	Approved <b>JHB</b>
Scale: <b>1:2</b>		Date: <b>10/04/13</b>



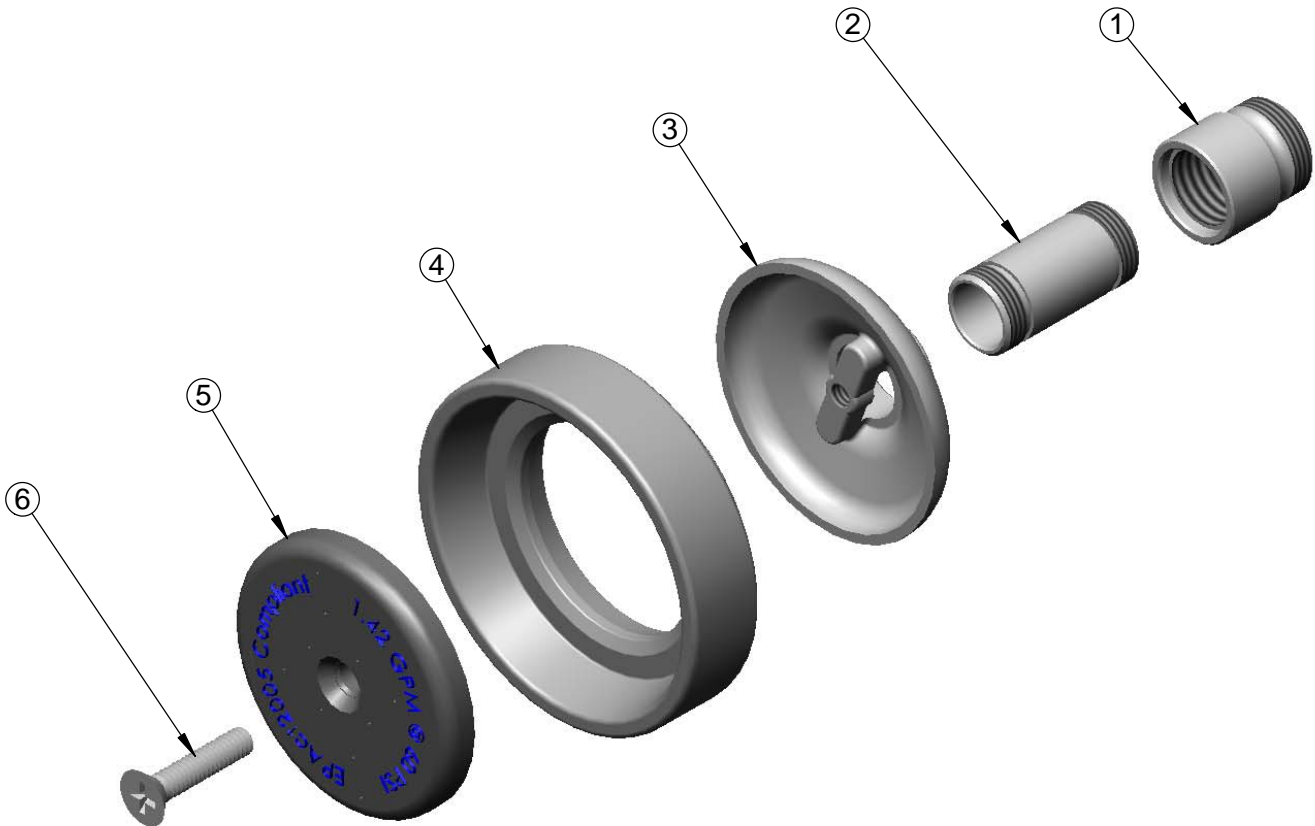
**T&S BRASS AND BRONZE WORKS, INC.**  
 2 Saddleback Cove / P.O. Box 1088  
 Travelers Rest, SC 29690

Model No.  
**001AS**

Item No.

Travelers Rest, SC: 800-476-4103 • Simi Valley, CA: 800-423-0150 • Fax: 864-834-3518 • www.tsbrass.com

ITEM NO.	SALES NO.	DESCRIPTION
1	000552-25	Adapter, 3/4"-14 Male x 5/8"-17 Female
2	000694-40	Short Nipple, B-0107
3	000019-40	Spray Cup, B-0107
4	007861-45	Spray Valve Sprayhead Ring
5	001121-45	Spray Valve Sprayface
6	000913-45	Screw, Sprayface



Product Specifications:  
 Gray Spray Head w/ Adapter  
 (1.42 GPM @ 60 PSI)

Drawn <b>KJG</b>	Checked <b>DMH</b>	Approved <b>JHB</b>
Scale: <b>NTS</b>		Date: <b>10/04/13</b>