



T&S BRASS AND BRONZE WORKS, INC.
 2 Saddleback Cove / P.O. Box 1088
 Travelers Rest, SC 29690

Model No.
162X

Item No.

Travelers Rest, SC: 800-476-4103 • Simi Valley, CA: 800-423-0150 • Fax: 864-834-3518 • www.tsbrass.com

This Space for Architect/Engineer Approval

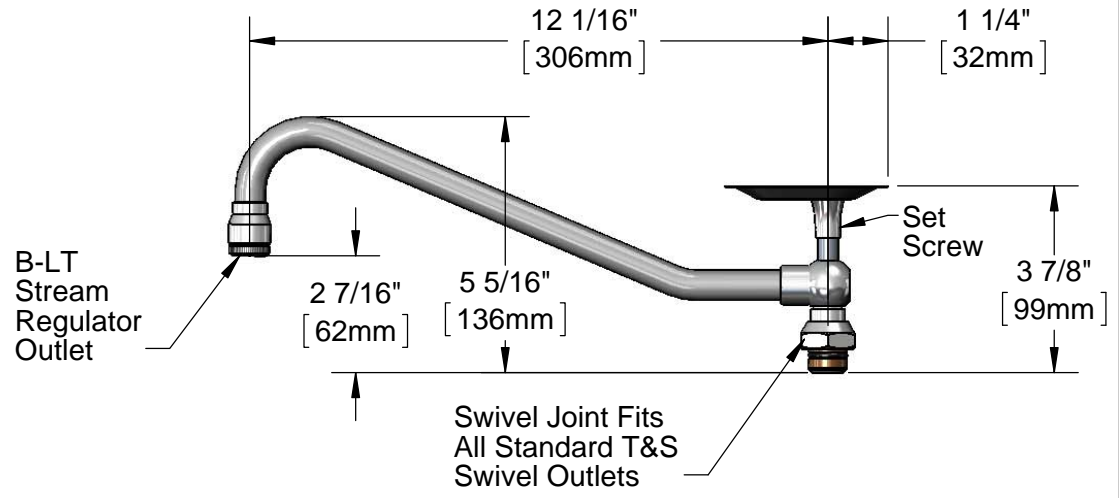
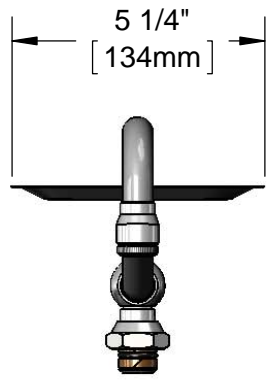
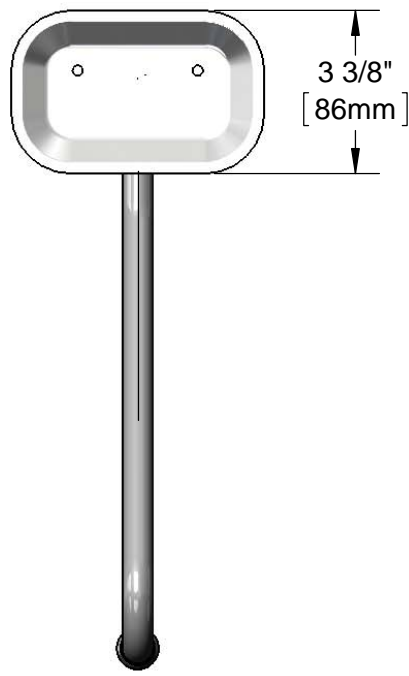
Job Name _____ Date _____

Model Specified _____ Quantity _____

Customer/Wholesaler _____

Contractor _____

Architect/Engineer _____



Product Specifications:
 12" Swing Nozzle w/ Soap Dish

Drawn KJG	Checked DMH	Approved JHB
Scale: 1:4		Date: 10/29/13



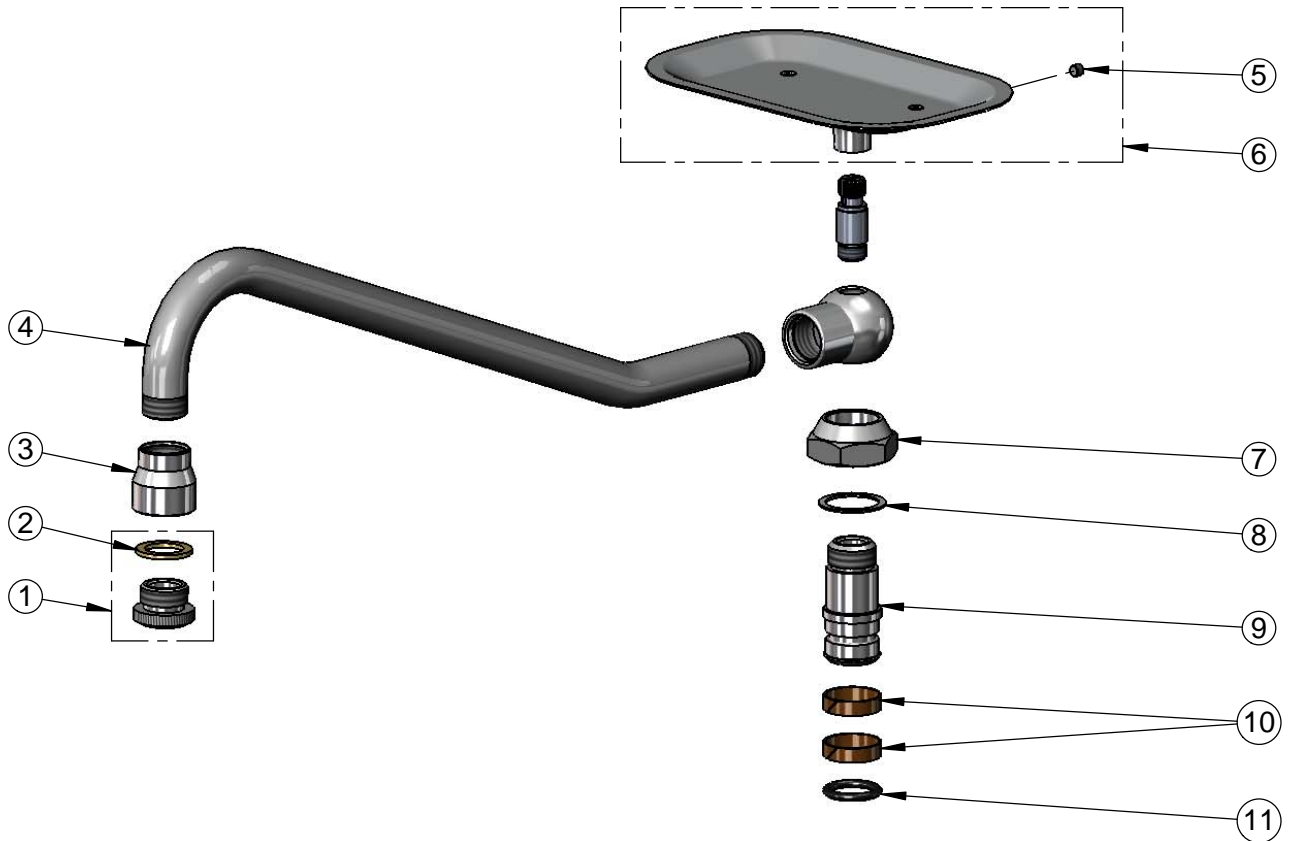
T&S BRASS AND BRONZE WORKS, INC.
 2 Saddleback Cove / P.O. Box 1088
 Travelers Rest, SC 29690

Model No.
162X

Item No.

Travelers Rest, SC: 800-476-4103 • Simi Valley, CA: 800-423-0150 • Fax: 864-834-3518 • www.tsbrass.com

ITEM NO.	SALES NO.	DESCRIPTION
1	B-LT	Stream Regulator Outlet
2	001043-45	Washer
3	000557-25	Bell Adapter, 5/8-27 UN Female x 3/8" NPSM Female
4	000289-40	12" Nozzle
5	000939-45	Set Screw
6	B-SD	Soap Dish
7	000711-40	Swivel Nut
8	009E	Plastic Washer
9	000843-25	Swivel Body
10	011429-45	Swivel Sleeves (2)
11	001074-45	O-Ring



Product Specifications:
 12" Swing Nozzle w/ Soap Dish

Drawn KJG	Checked DMH	Approved JHB
Scale: NTS		Date: 10/29/13