



**T&S BRASS AND BRONZE WORKS, INC.**  
 2 Saddleback Cove / P.O. Box 1088  
 Travelers Rest, SC 29690

Model No.  
**B-1255**

Item No.

Travelers Rest, SC: 800-476-4103 • Simi Valley, CA: 800-423-0150 • Fax: 864-834-3518 • www.tsbrass.com

This Space for Architect/Engineer Approval

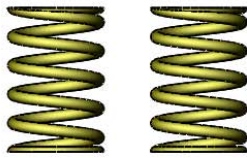
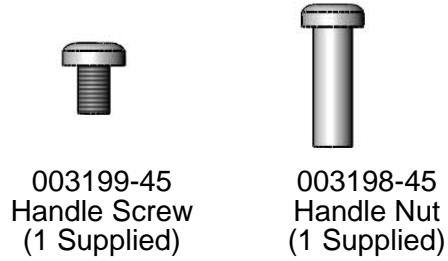
Job Name \_\_\_\_\_ Date \_\_\_\_\_

Model Specified \_\_\_\_\_ Quantity \_\_\_\_\_

Customer/Wholesaler \_\_\_\_\_

Contractor \_\_\_\_\_

Architect/Engineer \_\_\_\_\_



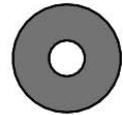
000894-45  
Spring  
(2 Supplied)



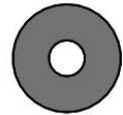
000974-45  
Bonnet Washer  
(2 Supplied)



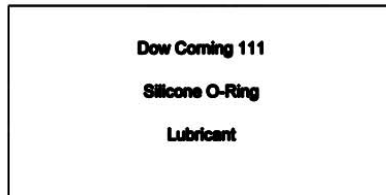
001100-45  
Stem Packing  
(2 Supplied)



001094-45  
Seat Washer  
(2 Supplied)



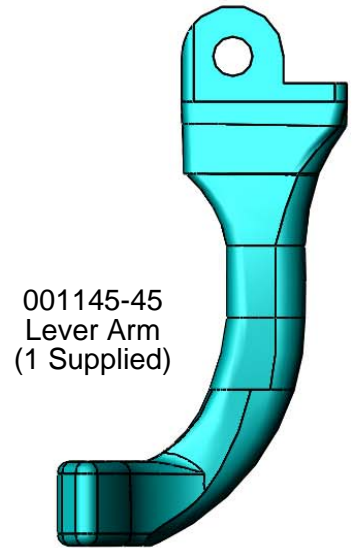
001062-45  
O-Ring  
(2 Supplied)



012665-45  
Silicon Grease Tube  
(1 Supplied)



003090-45  
Outlet Tip  
(1 Supplied)



Product Specifications:  
 Replacement Parts Kit for  
 Retro "Old Style" Glass Fillers

Product Compliance:  
 NSF 61 - Section 9  
 NSF 372 (Low Lead Content)