



**T&S BRASS AND BRONZE WORKS, INC.**  
 2 SADDLEBACK COVE / P.O. BOX 1088 / TRAVELERS REST, SC 29690  
 PHONE 800-476-4103 FAX 864- 834-3518

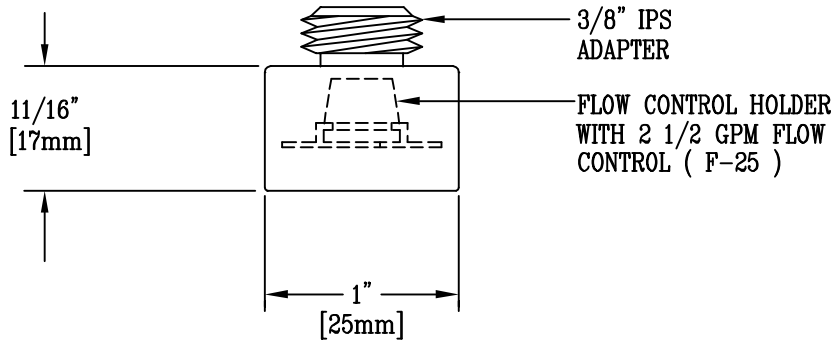


Model No.  
 BL-5550-01F  
 Item No.:

Job Name:

Architect/Engineer Approval:

Notes:



NOTE: SELECT FLOW CONTROL DESIRED THEN ADD SUFFIX TO MODEL NO.  
 ( FOR EXAMPLE: BL-5550-01F )

FLOW (GPM±15%)	SUFFIX	MODELS BEST USED ON
0.25	F-03	B-0198 CAN BE USED WITH AERATORS.
0.40	F-05	
0.70	F-07	
0.90	F-10	ALL MODELS SHOWN
1.20	F-12	CAN BE USED ON ALL MODELS SHOWN EXCEPT B-0199-16, B-0199-17 B-0199-18 & B-0199-19.
1.40	F-15	
2.00	F-20	
2.50	F-25	

Product Description:

AERATOR WITH 3/8" IPS MALE ADAPTER & FLOW CONTROL FITTING

Drawn:

WJS

Checked

ARY

Scale:

1' = 1'

Approved

CA

Date:

10/26/95