


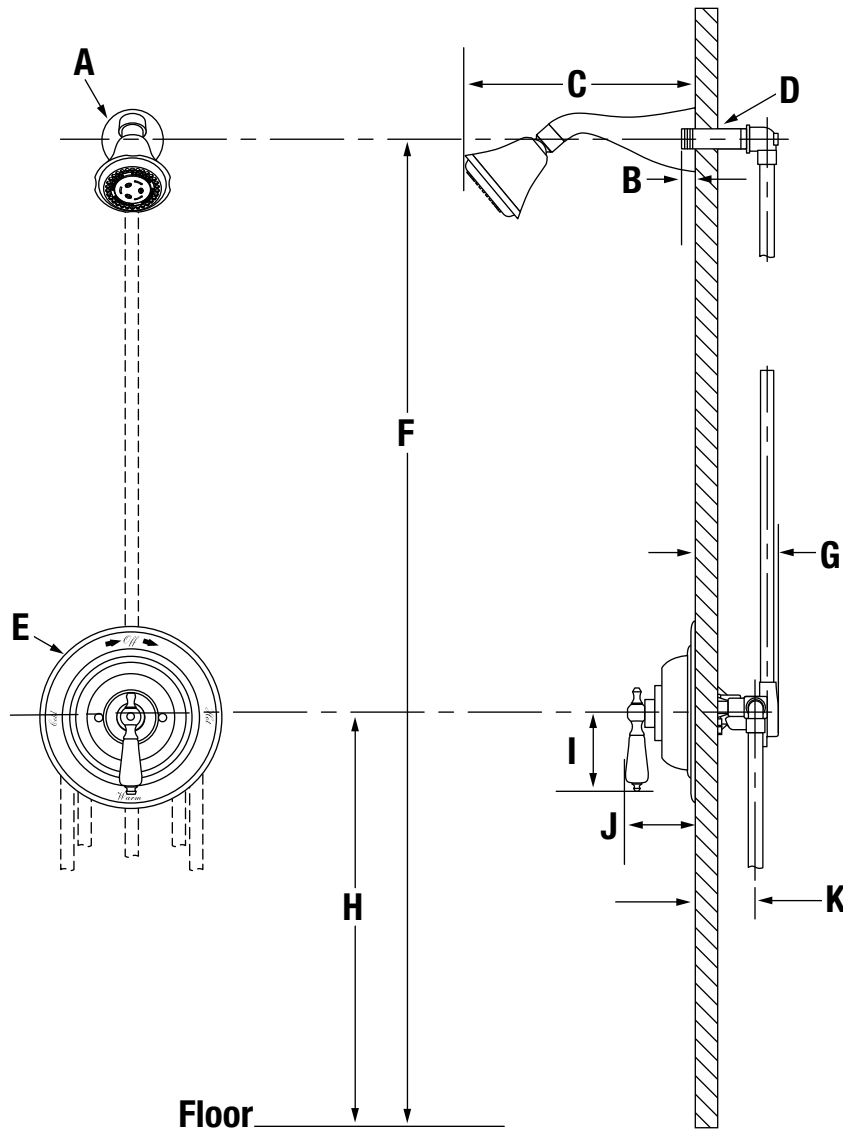


4400-TRM, 4401-TRM
 Carrington™ Trim Series
Operation & Maintenance Manual

Model Numbers	Specifications
<input type="checkbox"/> 4400-TRM <i>Valve Trim</i> <input type="checkbox"/> 4401-TRM <i>Shower Trim</i>	Shower trim includes shower escutcheon kit and 3 mode showerhead with standard 2.5 gpm (9.5 L/min) flow restrictor. Valve trim includes shower escutcheon kit only. Components made from metal and nonmetallic materials plated in standard polished chrome finish.
Modifications	Compliance
<input type="checkbox"/> -1.5  <i>1.5 gpm (5.7 L/min) flow restrictor</i> <input type="checkbox"/> -2.0  <i>2.0 gpm (7.6 L/min) flow restrictor</i> <input type="checkbox"/> -CRP <i>Cross handle in place of white insert handle</i> <input type="checkbox"/> -LAM <i>Metal finish insert handle</i> <input type="checkbox"/> -STN <i>Satin nickel finish</i>	-ASME A112.18.1; CSA B125.1 
<p>Note: Append appropriate -suffix to model number.</p>	Warranty Limited Lifetime - to the original end purchaser in consumer installations. 5 Years - for commercial installations. Refer to www.symmons.com/warranty for complete warranty information.

Dimensions

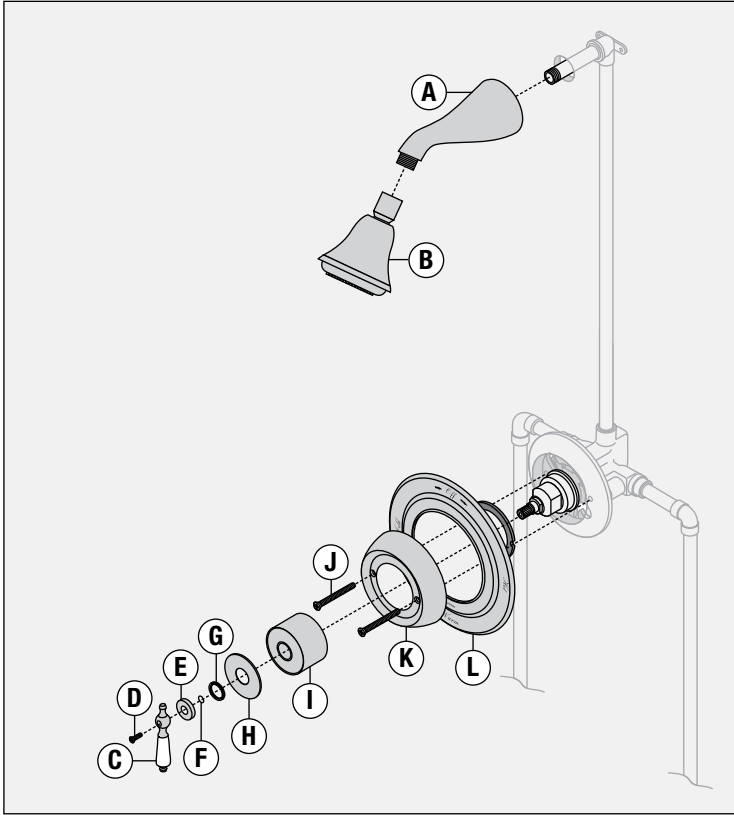


Measurements	
A	Ø 2 5/8", 67 mm
B	1/2", 13 mm
C	9 1/4", 235 mm
D	Male 1/2" I.P.S. thread must protrude 1/2" from finished wall
E	Ø 7 1/2", 191 mm
F	77", 1956 mm
G	3 1/8", 79 mm
H	42", 1067 mm
I	3 1/8", 79 mm
J	2 5/8", 67 mm
K	(Rough in) 2" ± 1/2", 51 mm ± 13 mm

Notes:

- 1) All dimensions measured from nominal rough-in (see K as reference).
- 2) Dimensions are subject to change without notice.


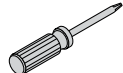

Parts Breakdown



Replacement Parts		
Item	Description	Part Number
A	Shower Arm	304
B	Showerhead	442SH
C D E F	Handle Set Screw Flange O-ring	DF-28-LPO
G	Lock Nut	T-20-PL
H	Washer	40B-PL
I	Dome Cover	DF-11
J K	Mounting Screws Shower Escutcheon	DF-14
L	Escutcheon Plate	7.5-ETCH

Notes:

- 1) Append -STN to part number for satin nickel finish.
- 2) Append -1.5 or -2.0 to showerhead for low flow.

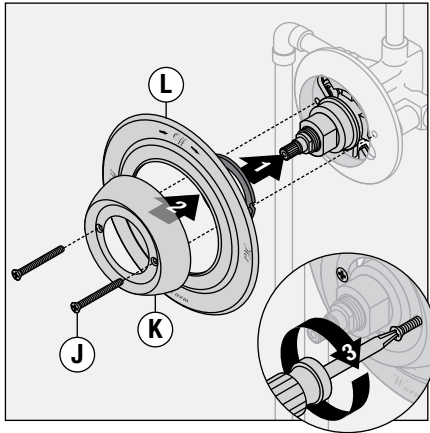
Required for Installation	
Adjustable wrench	
Phillips head screwdriver	
Plumber tape	

Installation

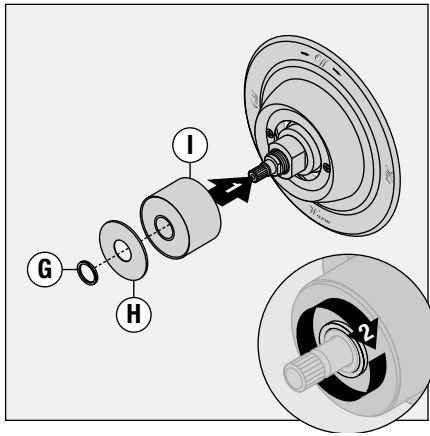
Note:

For valve body installation, please see valve body installation guide.

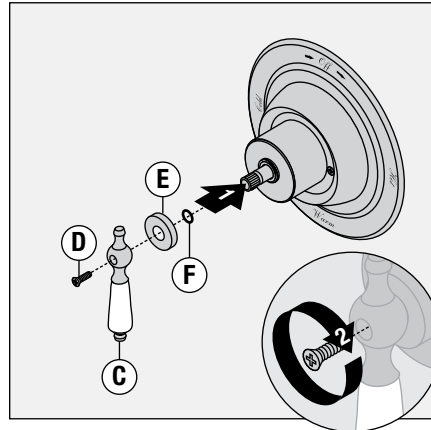
- 1) Install shower escutcheon plate (L) and shower escutcheon (K) to shower valve. Secure with two screws (J).



- 2) Install dome cover (I) and washer (H) to valve and secure with lock nut (G).

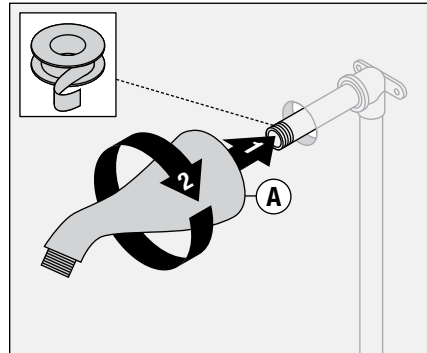


- 3) Install o-ring (F), flange (E), and handle (C) to valve and secure with screw (D).

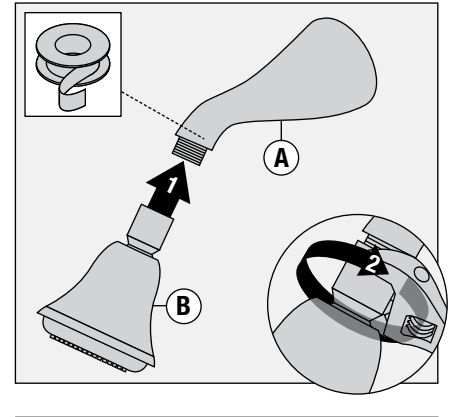


Note: Handle should be facing the 6 o'clock position.

- 4) Install shower arm (A) to pipe fitting. Turn clockwise to secure.



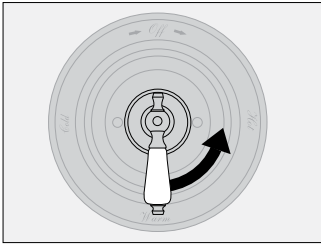
- 5) Install showerhead (B) to shower arm (A) turning clockwise to tighten.



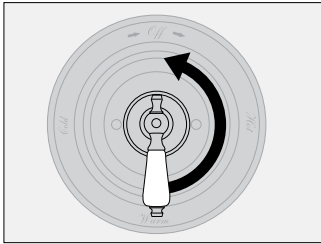
Operation

Temperature Control

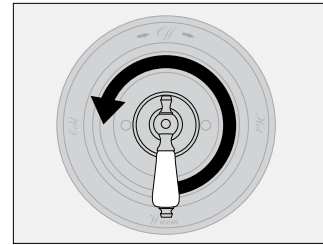
- 1) Turn shower handle counterclockwise approximately 1/4 turn to put valve in cold position.



- 2) Turn shower handle counterclockwise approximately 1/2 turn to put valve in warm position.



- 3) Turn shower handle counterclockwise approximately 3/4 turn to put valve in hot position.



Care and Cleaning

- 1) Clean finished trim area with a soft cloth using mild soap and water or a non-abrasive cleaner and then quickly rinse with water.

Troubleshooting Chart

Problem	Cause	Solution
Finish is spotting.	Elements in water supply may cause water staining on finish.	Clean finished trim area with a soft cloth using mild soap and water or a non-abrasive cleaner and then quickly rinse with water.