

For Non-Health Hazard Applications

Job Name _____
 Job Location _____
 Engineer _____
 Approval _____

Contractor _____
 Approval _____
 Contractor's P.O. No. _____
 Representative _____

LEAD FREE*

Series LF007 Double Check Valve Assemblies

Sizes: 1/2" – 3" (15 – 80mm)

Series LF007 Double Check Valve Assemblies shall be installed at referenced cross-connections to prevent the backflow of polluted water into the potable water supply. Only those cross-connections identified by local inspection authorities as non-health hazard shall be allowed the use of an approved double check valve assembly. The LF007 features Lead Free* construction to comply with Lead Free* installation requirements.

Check with local authority having jurisdiction regarding vertical orientation, frequency of testing or other installation requirements.

The valve shall meet the requirements of ASSE Std. 1015 and AWWA Std. C510. Approved by the Foundation for Cross-Connection Control and Hydraulic Research at the University of Southern California.

Features

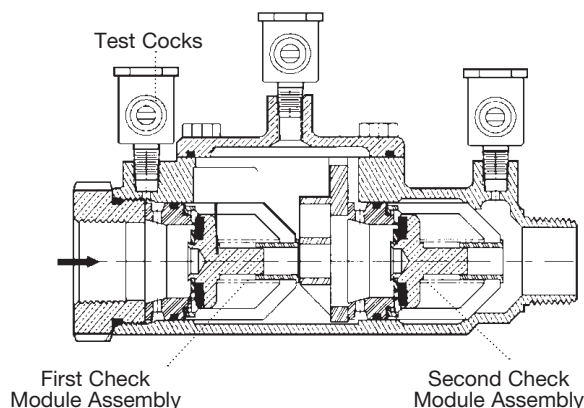
- Ease of maintenance — only one cover
- Top entry
- Replaceable seats and seat discs
- Modular construction
- Compact design
- Lead Free* cast copper silicon alloy body construction — 1/2" – 2" (15 – 50mm)
- Fused epoxy coated cast iron body — 2 1/2" – 3" (65 – 80mm)
- Top mounted Lead Free* ball valve test cocks
- Low pressure drop
- No special tools required for servicing
- 1/2" – 1" (15 – 25mm) have tee handles

Specifications

A Double Check Valve Assembly shall be installed at each noted location. The assembly shall consist of two positive seating check modules with captured springs and rubber seat discs. The check module seats and seat discs shall be replaceable. Service of all internal components shall be through a single access cover secured with stainless steel bolts. The Double Check Valve Assemblies shall be constructed using Lead Free* cast copper silicon alloy. Lead Free* Double Check Valve Assemblies shall comply with state codes and standards, where applicable, requiring reduced lead content. The assembly shall also include two resilient seated isolation valves; four top mounted, resilient seated test cocks. The assembly shall meet the requirements of ASSE Std. 1015 and AWWA Std. C510. Approved by the Foundation for Cross-Connection Control and Hydraulic Research at the University of Southern California. Assembly shall be a Watts Series LF007.



3/4" (20mm) LF007M3QT



The LF007 Series features a modular design concept which facilitates complete maintenance and assembly by retaining the spring load.

Now Available WattsBox Insulated Enclosures.

For more information, send for literature ES-WB.

NOTICE

Inquire with governing authorities for local installation requirements

NOTICE

The information contained herein is not intended to replace the full product installation and safety information available or the experience of a trained product installer. You are required to thoroughly read all installation instructions and product safety information before beginning the installation of this product.

*The wetted surface of this product contacted by consumable water contains less than 0.25% of lead by weight.

Watts product specifications in U.S. customary units and metric are approximate and are provided for reference only. For precise measurements, please contact Watts Technical Service. Watts reserves the right to change or modify product design, construction, specifications, or materials without prior notice and without incurring any obligation to make such changes and modifications on Watts products previously or subsequently sold.

Pressure – Temperature

½" – 2" (15 – 50mm)

Temperature Range: 33°F – 180°F (0.5°C – 82°C).

Maximum Working Pressure: 175psi (12.1 bar).

2½" – 3" (65 – 80mm)

Temperature Range: 33°F – 110°F (0.5°C – 43°C) continuous, 140°F (60°C) intermittent.

Maximum Working Pressure: 175psi (12.1 bar).

Standards

ASSE Std. 1015, AWWA Std. C510

IAPMO PS31, CSA B64.5

Approvals

† ASSE, AWWA, IAPMO, CSA, UPC



▲ Approved by the Foundation for Cross-Connection Control and Hydraulic Research at the University of Southern California.

• Models with suffix LF and S are not listed.

◆ UL Classified (without shutoff valves only) ¾" – 2" (20 – 50mm) (except 007M3LF)

◆ UL Classified with OSY gate valves (2½" and 3" horizontal only.)

▼ ½" - 2" models Lead Free* with strainer

Horizontal and vertical "flow up" approval on all sizes

Models

Sizes:

½" – 2" (15 – 50mm)

Suffix:

S – copper silicon alloy strainer
 LF – without shutoff valves
 W/Press** – press inlet x press outlet (½" - 2" only)

Prefix:

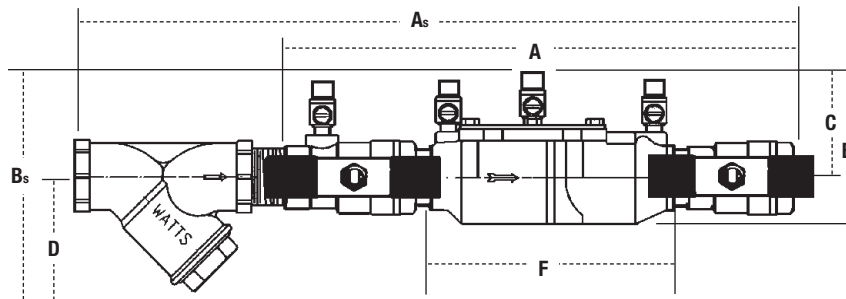
U – Union connections

2½" – 3" (65 – 80mm)

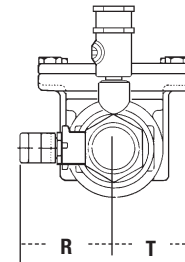
Suffix:

NRS – non-rising stem resilient seated gate valves
 OSY – UL/FM outside stem and yoke resilient seated gate valves
 LF – without shutoff valves
 QT-FDA – FDA epoxy coated quarter-turn ball valves

** Viega ProPress® connections are optional factory-installed fitting on each end of the approved/certified assembly.



Subscript 'S' = strainer model

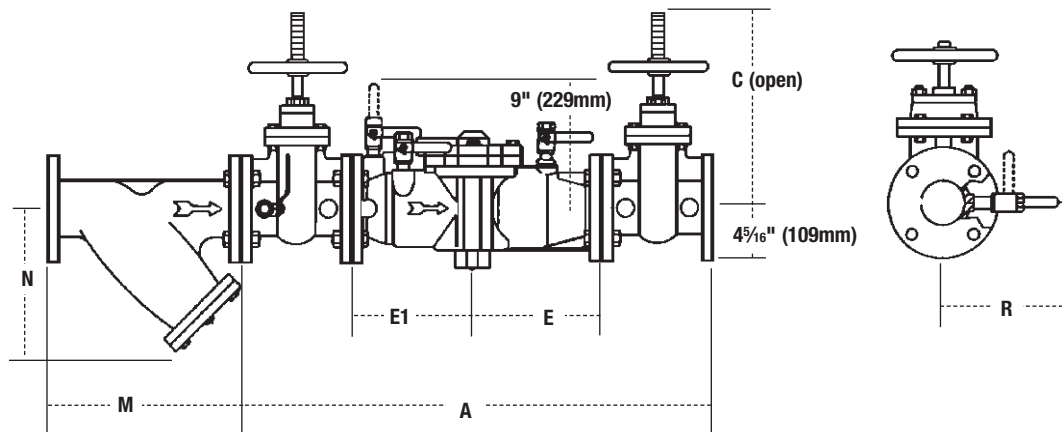


Dimensions – Weights

MODEL	SIZE (DN)		DIMENSIONS										WEIGHT							
	in.	mm	A		B		C		D		F		G		R		T		lbs.	kgs.
†▲▼ LF007QT	½	15	10	254	4⅝	117	2⅞	62	—	—	5	127	3⅝	85	2⅞	59	2⅞	52	4.5	2
†▲▼ LF007M3QT	¾	20	11⅞	282	4	102	3⅞	79	—	—	6⅞	157	3⅞	87	2⅞	54	1⅝	33	5	2.3
†▲▼ LF007M1QT	1	25	13¼	337	5⅞	130	4	102	—	—	7½	191	3⅞	85	1⅞	43	1⅞	43	12	5.4
†▲▼ LF007M2QT	1¼	32	16⅜	416	5	127	3⅞	84	—	—	9½	241	5	127	3	76	2	50	15	6.8
†▲▼ LF007M2QT	1½	40	16¾	425	4⅞	124	3½	89	—	—	9¾	248	5⅞	148	3⅞	79	2⅞	68	15.9	7.2
†▲▼ LF007M1QT	2	50	19½	495	6¼	159	4	102	—	—	13⅝	340	6⅞	156	3⅞	87	2⅞	68	25.7	11.7
●▼ LF007QT-S	½	15	13	330	6	152	2⅞	62	3	76	5	127	3⅞	85	2⅞	59	2⅞	52	5.5	2.5
●▼ LF007M3QT-S	¾	20	14½	368	6⅞	156	3⅞	79	3	76	6⅞	157	3⅞	87	2⅞	54	1⅝	33	6.7	3.1
●▼ LF007M1QT-S	1	25	17⅞	457	7¾	197	4	102	3¼	83	7½	191	3⅞	85	1⅞	43	1⅞	43	14	6.4
●▼ LF007M2QT-S	1¼	32	21½	546	7⅞	179	3⅞	84	3½	83	9½	241	5	127	3	76	2	50	19	8.6
●▼ LF007M2QT-S	1½	40	25⅞	637	7⅞	179	3½	89	3¾	95	9¾	248	5⅞	148	3⅞	79	2⅞	68	19.6	8.9
●▼ LF007M1QT-S	2	50	27¼	692	8¼	222	4	102	4	102	13⅝	340	6⅞	156	3⅞	87	2⅞	68	33.5	15.2

Dimensions – Weights

Sizes: 2½" – 3" (65 – 80mm)

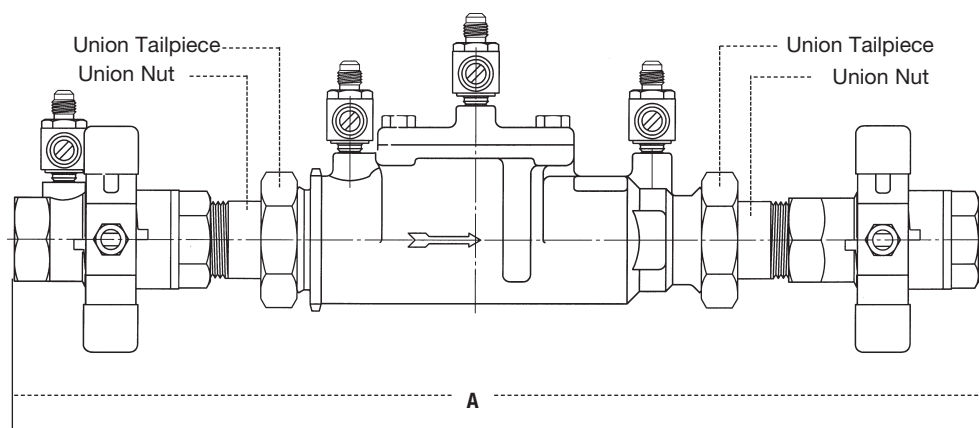


MODEL	SIZE (DN)		DIMENSIONS						WEIGHT			
	in.	mm	A		B		E, E1		R		lbs.	kgs.
LF007QT-FDA	2½	65	33⅛	841	6⅜	162	9⅛	230	8¾	222	155	70
▲ LF007-NRS	2½	65	33⅛	841	9⅜	238	9⅛	230	8¾	222	155	70
▲◆ LF007-OSY	2½	65	33⅛	841	16⅜	416	9⅛	230	8¾	222	158	72
LF007-QT-FDA	3	80	34¼	870	6⅜	162	9⅛	230	8¾	222	155	70
▲ LF007-NRS	3	80	34¼	870	10¼	260	9⅛	230	8¾	222	185	84
▲◆ LF007-OSY	3	80	34¼	870	18⅞	479	9⅛	230	8¾	222	185	84

Strainer Dimensions

SIZE				WEIGHT			
in.	mm	M		N		lbs.	kgs.
2½	65	10	254	6½	165	28	13
3	80	10⅞	267	7	178	34	15

1" LFU007M1QT



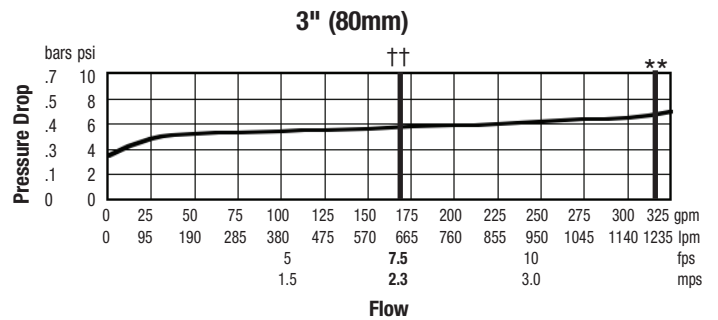
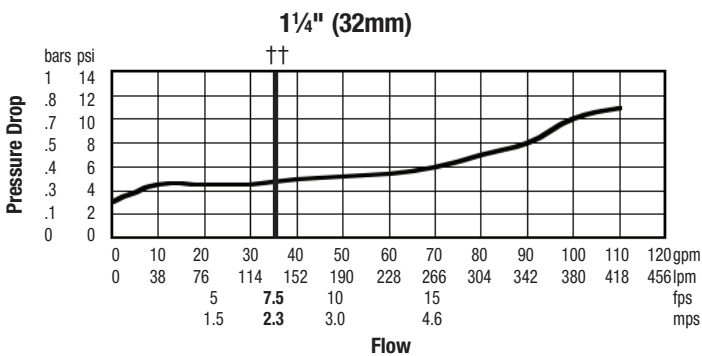
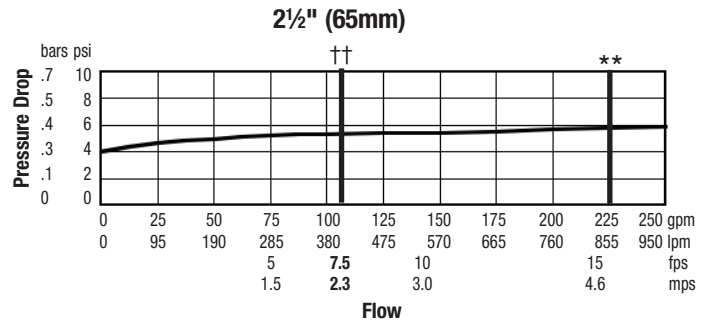
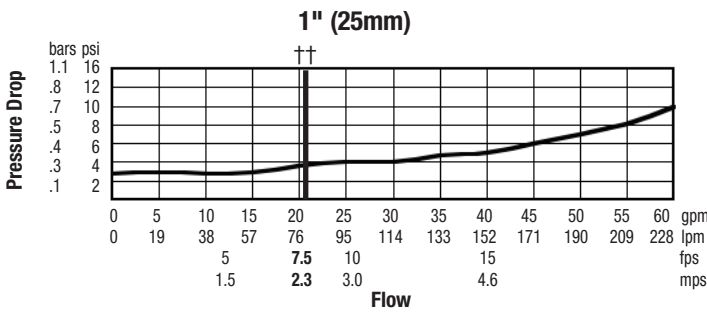
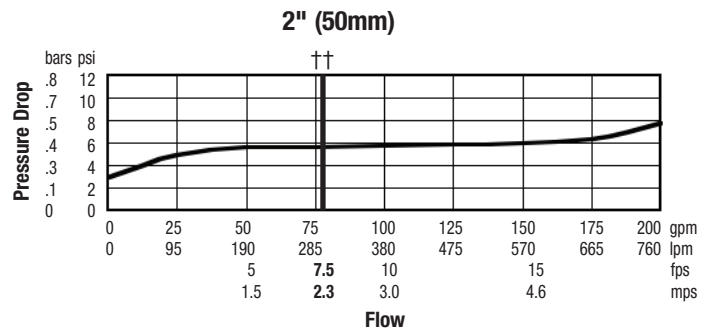
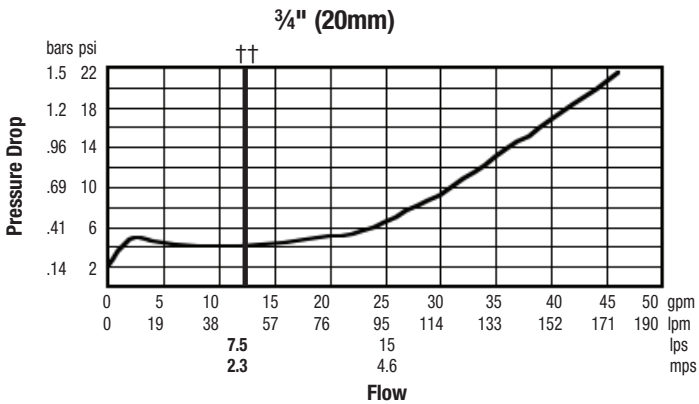
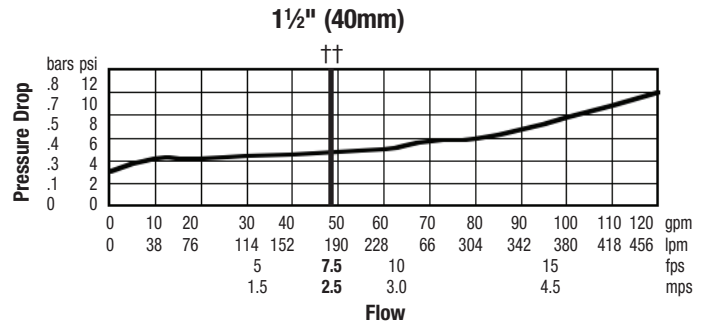
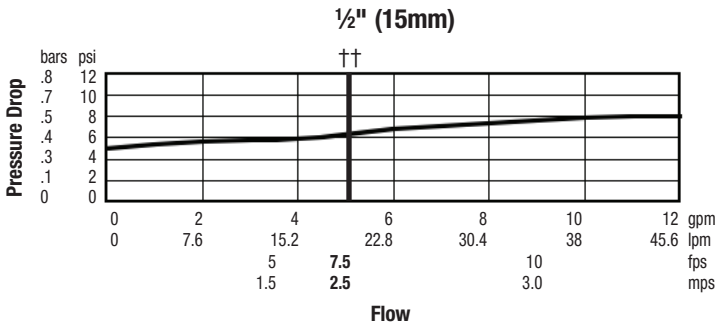
Sizes: ½" – 2" (15 – 50mm)

MODEL	SIZE(DN)		DIMENSIONS	
	in.	mm	A	
LFU007QT	½	15	12⅜	326
LFU007M2QT	¾	20	13⅜	350
LFU007M2QT	1	25	16⅞	422
LFU007M2QT	1¼	32	20¾	527
LFU007M2QT	1½	40	21½	546
LFU007M1QT	2	50	24½	622

Capacity

As compiled from documented Foundation for Cross-Connection Control and Hydraulic Research at the University of Southern California lab tests.

†† Typical maximum system flow rate (7.5 feet/sec., 2.3 meters/sec.)
 ** UL rated flow



USA: Tel: (978) 689-6066 • Fax: (978) 975-8350 • Watts.com
 Canada: Tel: (905) 332-4090 • Fax: (905) 332-7068 • Watts.com
 Latin America: Tel: (52) 81-1001-8600 • Fax: (52) 81-8000-7091 • Watts.com