



Schedule 40 Fittings & Accessories Clamp-On & Hot-Tap Saddles & Mechanical Clamp-On Transition Saddles

Clamp-On & Hot-Tap Saddles

Part Number	Size	Std Pk	Mstr Ctn	Disc Code
-------------	------	--------	----------	-----------

PVC White Hot-Tap Saddles EPDM Saddle x Soc (Spigot) SS316 Bolts

2" - 4" 235, 6" 200, 8" 150 psi @ 73°F (23°C)

HT2S-248W	2X3/4 (1)	1	5	049
HT2S-251W	2X1-1/2 (2)	1	5	049
HT2S-288W	2-1/2X3/4 (1)	1	5	049
HT2S-291W	2-1/2X1-1/2 (2)	1	5	049
HT2S-334W	3X3/4 (1)	1	5	049
HT2S-337W	3X1-1/2 (2)	1	5	049



Part Number	Size	Std Pk	Mstr Ctn	Disc Code
-------------	------	--------	----------	-----------

PVC White Hot-Tap Saddles (continued) EPDM Saddle x Soc (Spigot) SS316 Bolts

HT2S-416W	4X3/4 (1)	1	5	049
HT2S-419W	4X1-1/2 (2)	1	0	049
HT2S-524W	6X3/4 (1)	1	5	049
HT2S-527W	6X1-1/2 (2)	1	0	049
HT2S-574W	8X3/4 (1)	1	0	049
HT2S-577W	8X1-1/2 (2)	1	0	049

Mechanical Clamp-On Transition Saddles

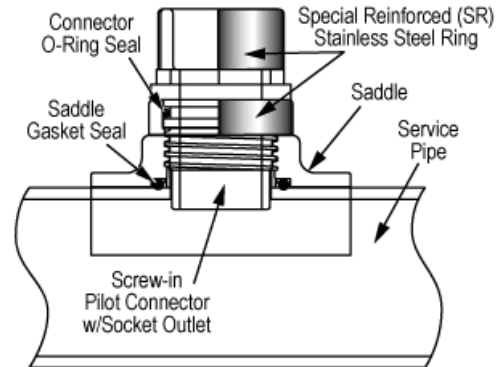
Designed for HDPE-to-PVC pipe transition to provide HDPE mainline take-off for PVC irrigation laterals and irrigation extensions, but fully suitable for any IPS pipe (metal or plastic) transition to PVC. Eliminates costly and cumbersome HDPE fusion process, which is generally cost prohibitive. Depending on the region and location, it has been found that the installed cost of HDPE laterals can be 25% higher than PVC laterals!

Pilot on lateral connector prevents saddle movement on pipe. Exceptionally strong Special Reinforced (SR) outlet on both Saddle outlet and Pilot Connector socket provide unparalleled strength. Injection molded in distinct blue EverTUFF® PVC proprietary material. Pilot Connectors are replaceable and interchangeable with any size EverTUFF® Mechanical Saddle for greater versatility.

Easy Installation - Clamp saddle to pipe, drill hole, install screw-in Pilot Connector with socket outlet. Available for a variety of mainline sizes and can be easily bushed for reduced lateral take-off sizes or special connections.



- Socket Outlet
- 315 psi Pressure Rating @ 73° F
- Stainless Steel Mechanical Clamp
- Elastomer Gasket & O-ring Seals
- Interchangeable 1-1/2" & 2" Lateral Connector Sizes
- Stainless Steel Reinforcing Rings for Extra Strength



Note: Mechanical Clamp Not Shown

Mechanical Clamp-on Transition Saddles

Part Number	Size	Std Pk	Mstr Ctn	Disc Code
-------------	------	--------	----------	-----------

Pipe O.D. x Socket

For Polyethylene (or any IPS pipe, metal or plastic) - To - PVC Transitions

865-419	4X1-1/2	2	0	086
865-420	4X2	1	0	086
865-527	6X1-1/2	1	0	086
865-528	6X2	1	0	086
865-577	8X1-1/2	1	0	086
865-578	8X2	1	0	086