

CM3-6 A-R-G-V-AQQV F-A-A-N Grundfos pump 96806845





Thank you for your interest in our products. Please contact us for more information, or visit our website

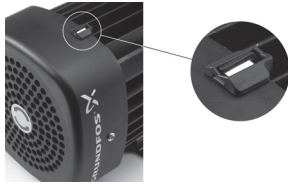
<https://www.lenntech.com/grundfos/CMBASIS/96806845/CM3-6-A-R-G-V-AQQV.html>

info@lenntech.com

tel. +31 152 610 900

fax. +31 152 616 289

Position	Qty.	Description
	1	<p data-bbox="320 163 580 194">CM3-6 A-R-G-V-AQQV</p>  <p data-bbox="320 483 600 515">Product No.: On request</p> <p data-bbox="320 546 1453 645">Compact, reliable, horizontal, multistage, end-suction centrifugal pump with axial suction port and radial discharge port. Pump materials in contact with the liquid are in high-grade stainless steel. The mechanical shaft seal is a special designed, unbalanced O-ring seal. Pipework connection is via internal Whitworth pipe threads, Rp (ISO 7/1).</p> <p data-bbox="320 685 1214 716">The pump is fitted with a 3-phase, foot-mounted, fan-cooled asynchronous motor.</p> <p data-bbox="320 777 639 808">Further product details</p> <p data-bbox="320 810 1445 864">Pump and motor are integrated in a compact and user-friendly design. The pump is fitted to a low base plate, making it ideal for installation in systems where compactness is important.</p> <p data-bbox="320 869 1382 922">The state-of-the-art design and materials of the shaft seal ensure high wear resistance, improved sticking and dry-running capabilities and long operating life.</p> <p data-bbox="320 927 1426 981">Servicing the pump requires no special service tools. Service parts are in stock for quick delivery and are available as kits, single parts or bulk. Service videos are available on www.youtube.com.</p> <p data-bbox="320 1014 400 1046">Pump</p> <p data-bbox="320 1048 1458 1151">A combination of a stop ring and a Nord-lock® washer secures a tight and reliable fixation of the impeller spacing pipes to the splined pump shaft. It is possible to remove and fit the hydraulic parts from the pump side. The inlet and outlet port are integrated in the pump sleeve. The inlet part, chambers and discharge part are hold together by four staybolts and a retaining flange.</p> <p data-bbox="320 1191 1458 1245">The pump is fitted with an unbalanced O-ring seal with a rigid torque-transmission system. It has a fixed seal driver ensuring a reliable rotation of all parts. The dynamic secondary seal is an O-ring.</p> <p data-bbox="320 1249 464 1281">Primary seal:</p> <ul data-bbox="357 1283 919 1337" style="list-style-type: none"> • Rotating seal ring material: silicon carbide (SiC) • Stationary seat material: silicon carbide (SiC) <p data-bbox="320 1339 1426 1393">This material pairing is used where higher corrosion resistance is required. The high hardness of this material pairing offers good resistance against abrasive particles.</p> <p data-bbox="320 1397 895 1429">Secondary seal material: FKM (fluorocarbon rubber)</p> <p data-bbox="320 1433 1426 1487">FKM has excellent resistance to oils and chemicals. Above 90 °C, FKM should only be used in media without water.</p>  <p data-bbox="320 1702 1426 1756">The pump shaft is connected to the motor shaft through a left thread and tight fit. The shaft cannot be dismantled.</p> <p data-bbox="320 1792 400 1823">Motor</p> <p data-bbox="320 1825 1398 1879">The motor is a totally enclosed, fan-cooled motor with principal dimensions to EN 50347. Electrical tolerances comply with EN 60034.</p> <p data-bbox="320 1915 1445 1991">The motor does not incorporate motor protection and must be connected to a motor-protective circuit breaker which can be manually reset. The motor-protective circuit breaker must be set according to the rated current of the motor (I1/1).</p> <p data-bbox="320 2027 1426 2080">An installation indicator is fitted to the motor fan cover. Based on the motor cooling air, it indicates the direction of rotation of the motor. The motor is fitted with a directional sticker.</p>



Technical data

Liquid:

Pumped liquid:	Water
Liquid temperature range:	-20 .. 90 °C
Liquid temperature during operation:	20 °C
Density:	998.2 kg/m ³

Technical:

Rated flow:	3.1 m ³ /h
Rated head:	41.5 m
Primary shaft seal:	AQQV
Approvals on nameplate:	CE,WRAS,ACS,TR,EAC
Curve tolerance:	ISO9906:2012 3B

Materials:

Pump housing:	Stainless steel DIN W.-Nr. 1.4401 AISI 316
Impeller:	Stainless steel DIN W.-Nr. 1.4401 AISI 316
Rubber:	FKM

Installation:

Maximum ambient temperature:	55 °C
Maximum operating pressure:	16 bar
Max pressure at stated temp:	16 bar / 90 °C
Flange standard:	WHITWORTH THREAD RP
Pump inlet:	Rp 1
Pump outlet:	Rp 1

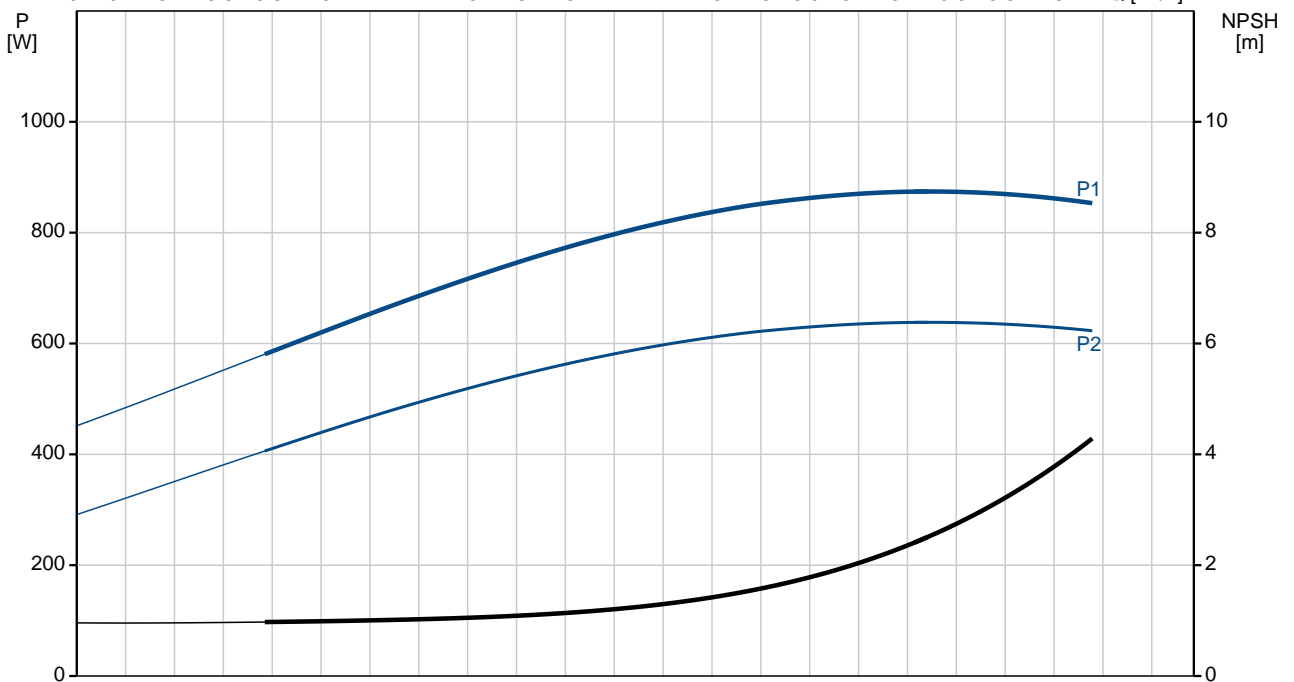
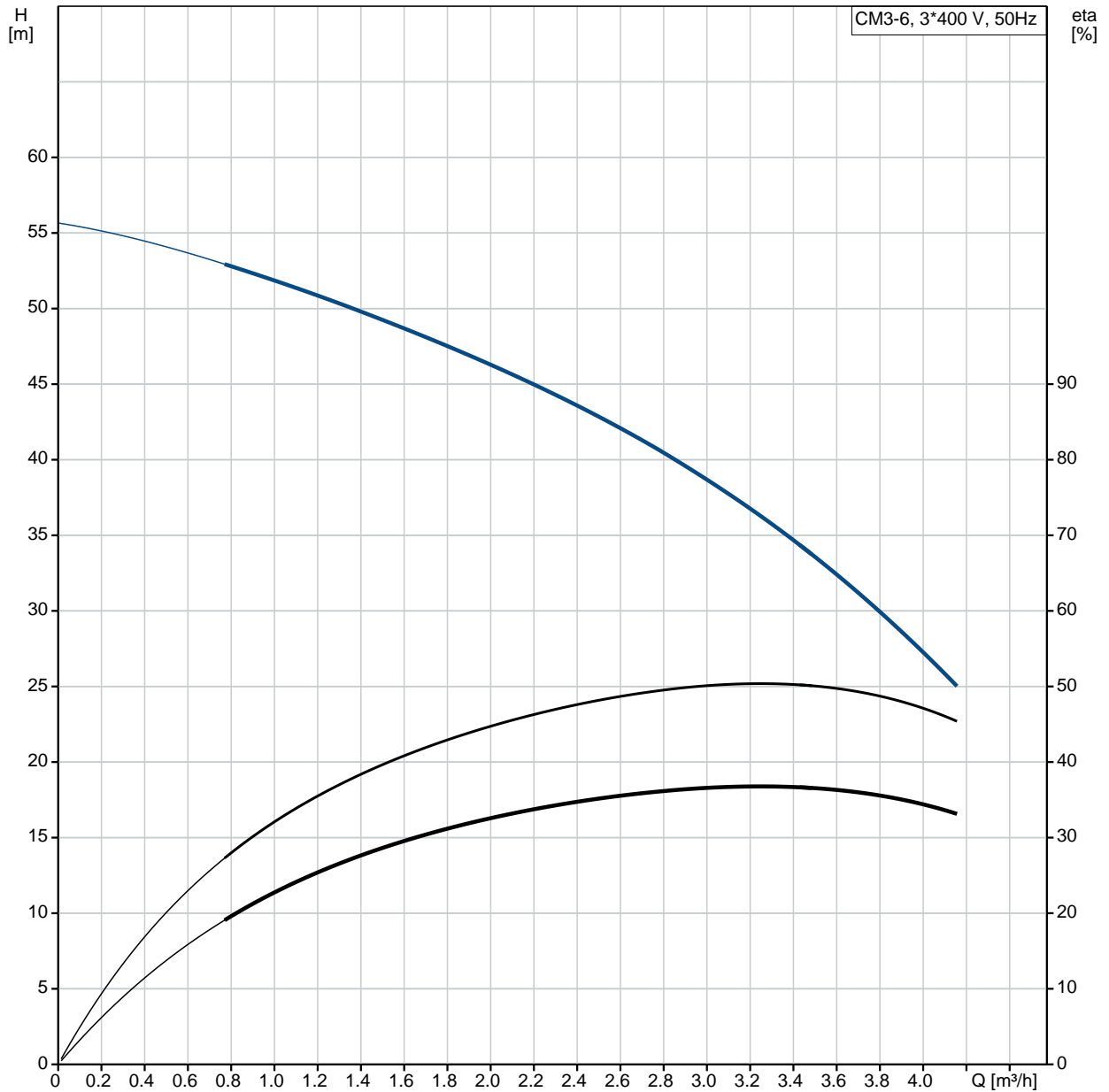
Electrical data:

Motor type:	71B
Rated power - P2:	0.65 kW
Mains frequency:	50 Hz
Rated voltage:	3 x 220-240D/380-415Y V
Service factor:	1
Rated current:	2,8-3,1/1,6-1,8 A
Starting current:	580-620 %
Rated speed:	2770-2820 rpm
Enclosure class (IEC 34-5):	IP55
Insulation class (IEC 85):	F

Others:

Minimum efficiency index, MEI	: 0.7
Net weight:	13.7 kg
Gross weight:	16.2 kg

On request CM3-6 A-R-G-V-AQQV 50 Hz



Description	Value
-------------	-------

General information:

Product name:	CM3-6 A-R-G-V-AQQV
Product No:	On request
EAN number:	On request

Technical:

Rated flow:	3.1 m³/h
Rated head:	41.5 m
Impellers:	6
Primary shaft seal:	AQQV
Approvals on nameplate:	CE,WRAS,ACS,TR,EAC
Curve tolerance:	ISO9906:2012 3B
Pump version:	A
Model:	A

Materials:

Pump housing:	Stainless steel DIN W.-Nr. 1.4401 AISI 316
Impeller:	Stainless steel DIN W.-Nr. 1.4401 AISI 316

Material code:	G
Rubber:	FKM
Code for rubber:	V

Installation:

Maximum ambient temperature:	55 °C
Maximum operating pressure:	16 bar
Max pressure at stated temp:	16 bar / 90 °C
Flange standard:	WHITWORTH THREAD RP
Pump inlet:	Rp 1
Pump outlet:	Rp 1
Connect code:	R

Liquid:

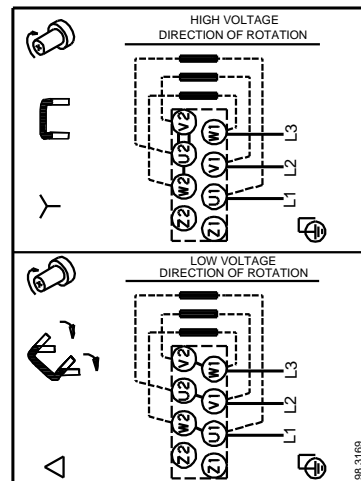
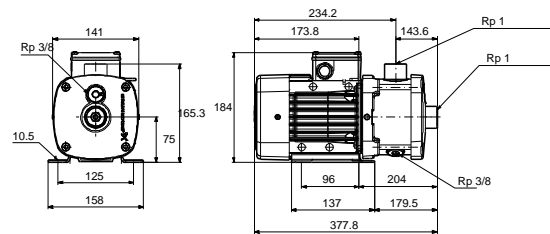
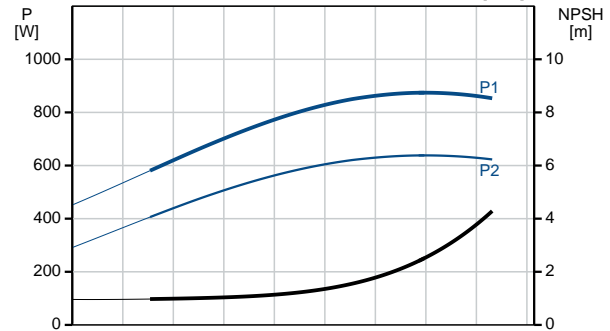
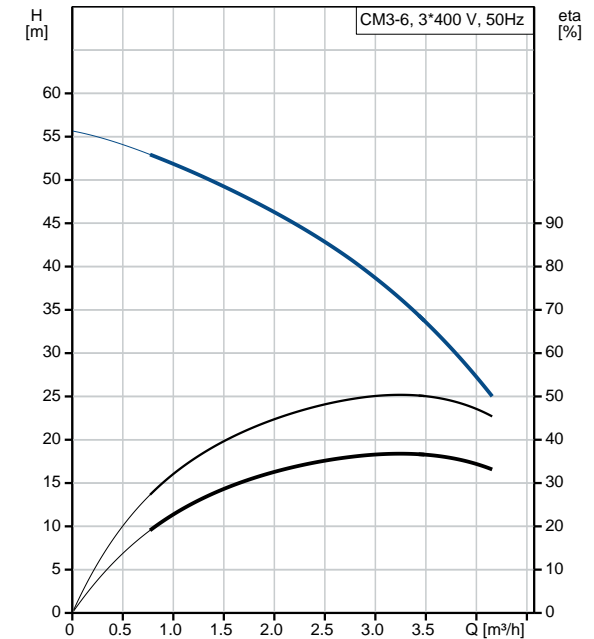
Pumped liquid:	Water
Liquid temperature range:	-20 .. 90 °C
Liquid temperature during operation:	20 °C
Density:	998.2 kg/m³

Electrical data:

Motor type:	71B
Rated power - P2:	0.65 kW
Mains frequency:	50 Hz
Rated voltage:	3 x 220-240D/380-415V V
Service factor:	1
Rated current:	2,8-3,1/1,6-1,8 A
Starting current:	580-620 %
Rated speed:	2770-2820 rpm
Enclosure class (IEC 34-5):	IP55
Insulation class (IEC 85):	F
Motor protec:	NO

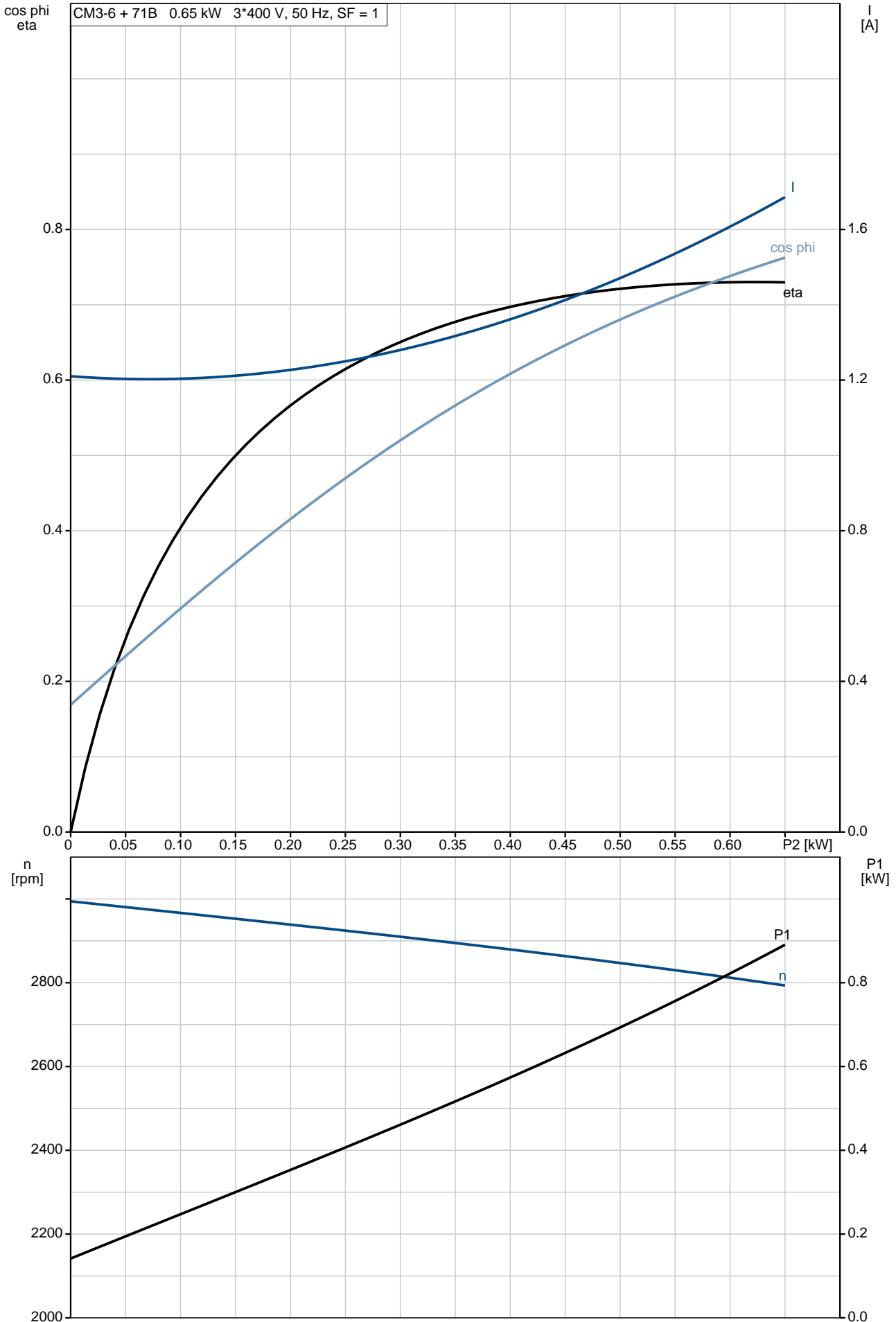
Others:

Minimum efficiency index, MEI :	0.7
Net weight:	13.7 kg
Gross weight:	16.2 kg

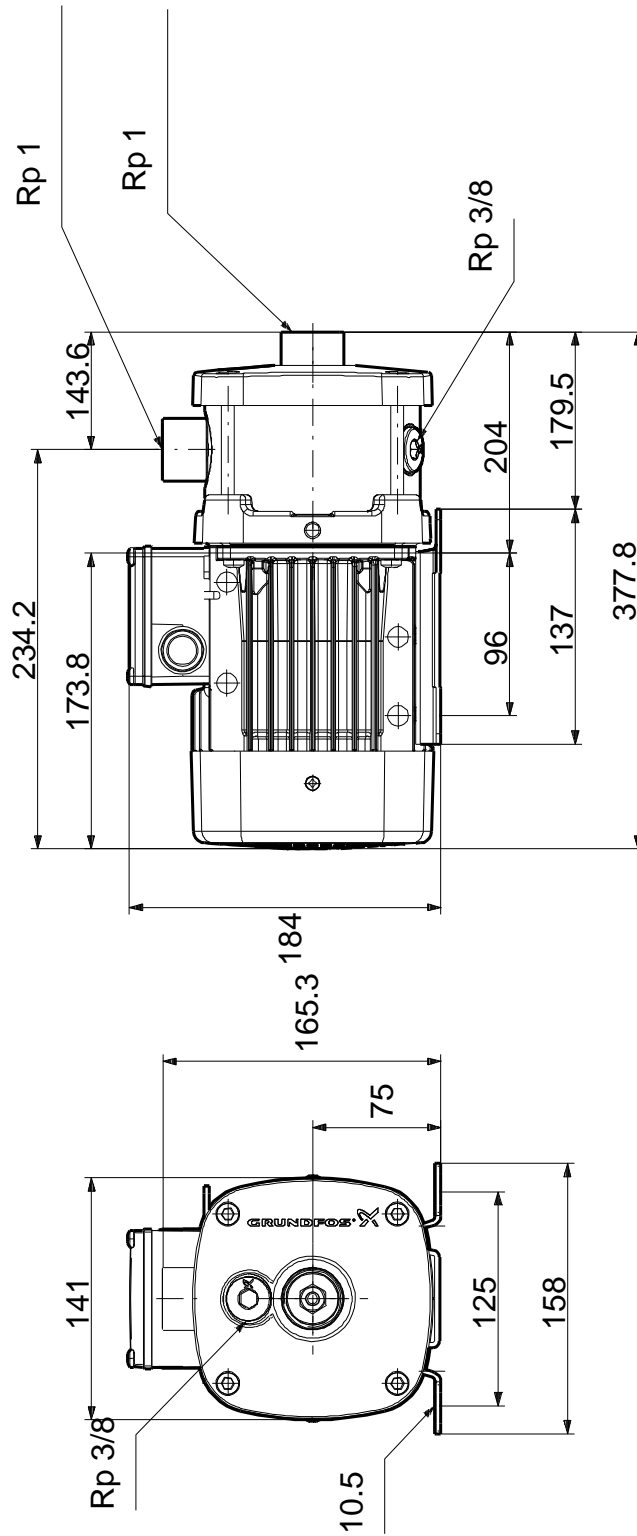


On request CM3-6 A-R-G-V-AQQV 50 Hz

CM3-6 + 71B 0.65 kW 3*400 V, 50 Hz, SF = 1

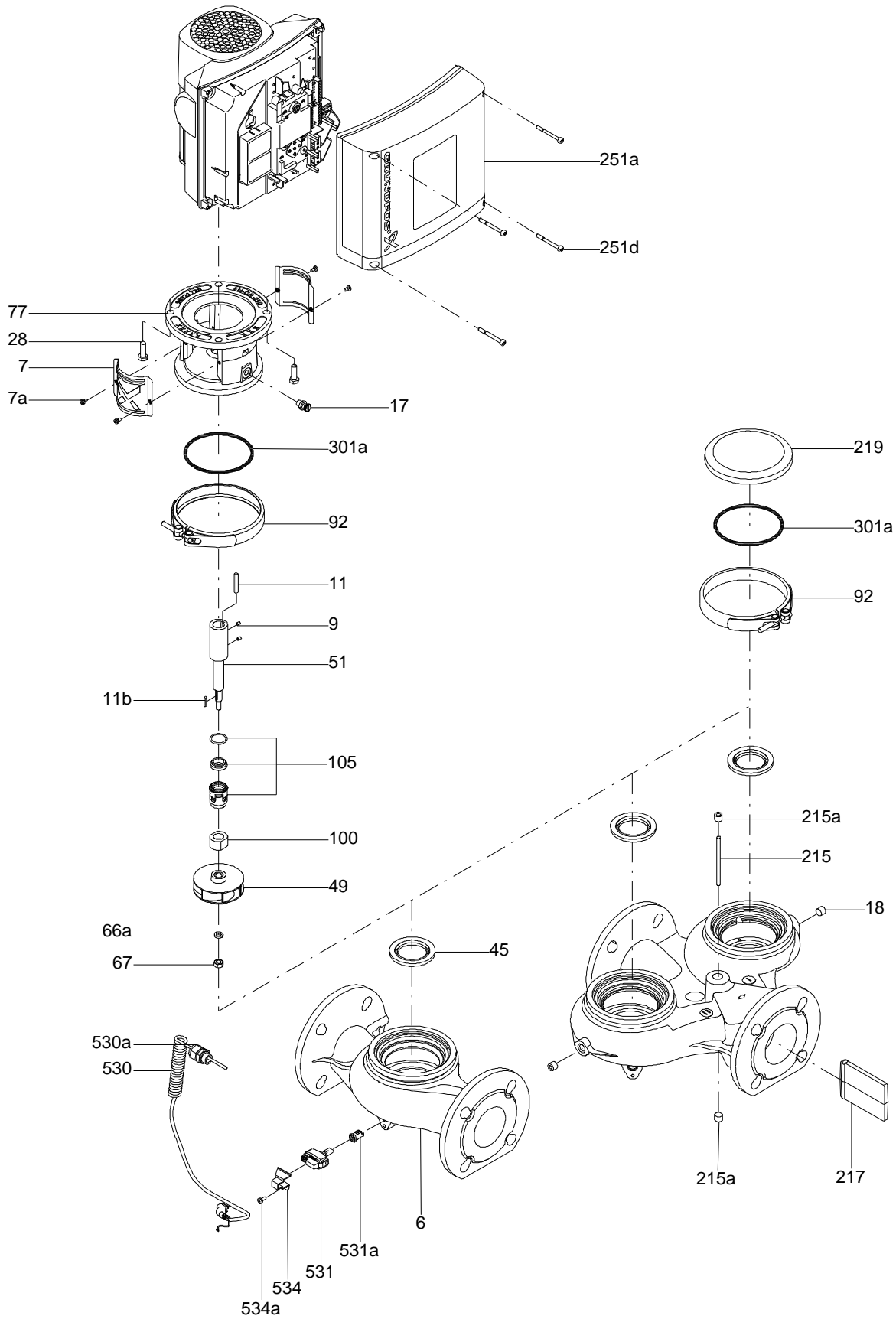


On request CM3-6 A-R-G-V-AQQV 50 Hz

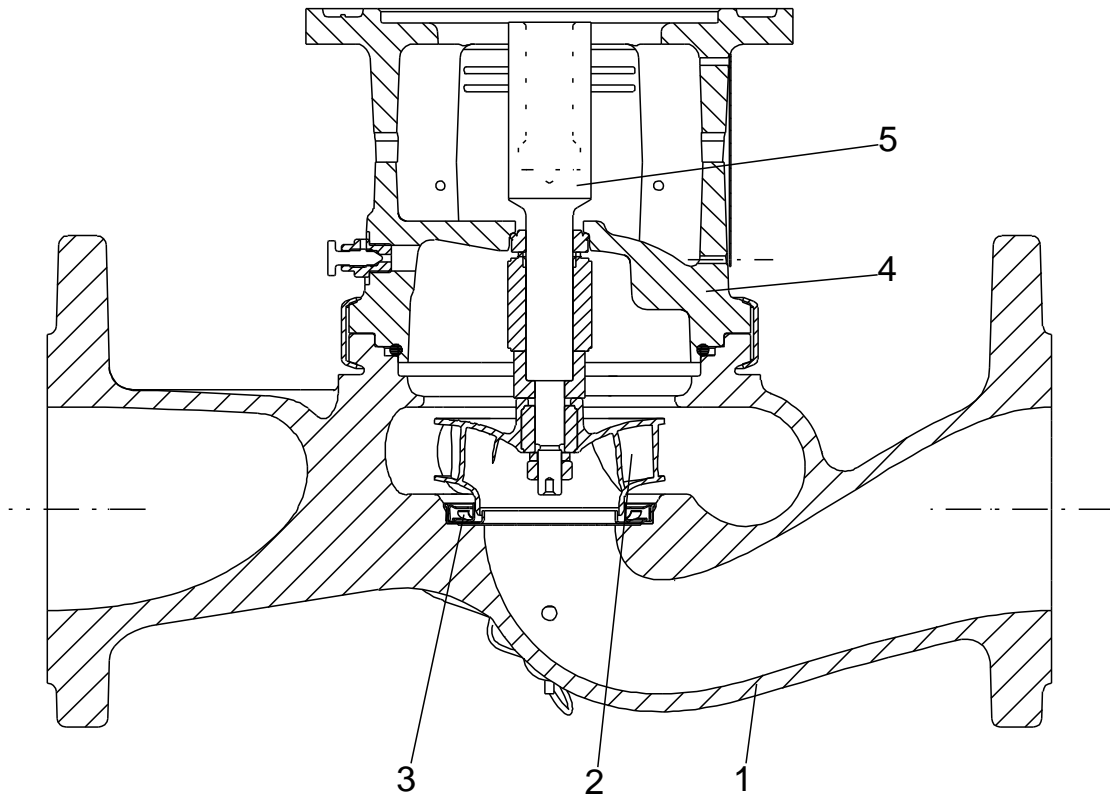


Note! All units are in [mm] unless others are stated.
 Disclaimer: This simplified dimensional drawing does not show all details.

Exploded view

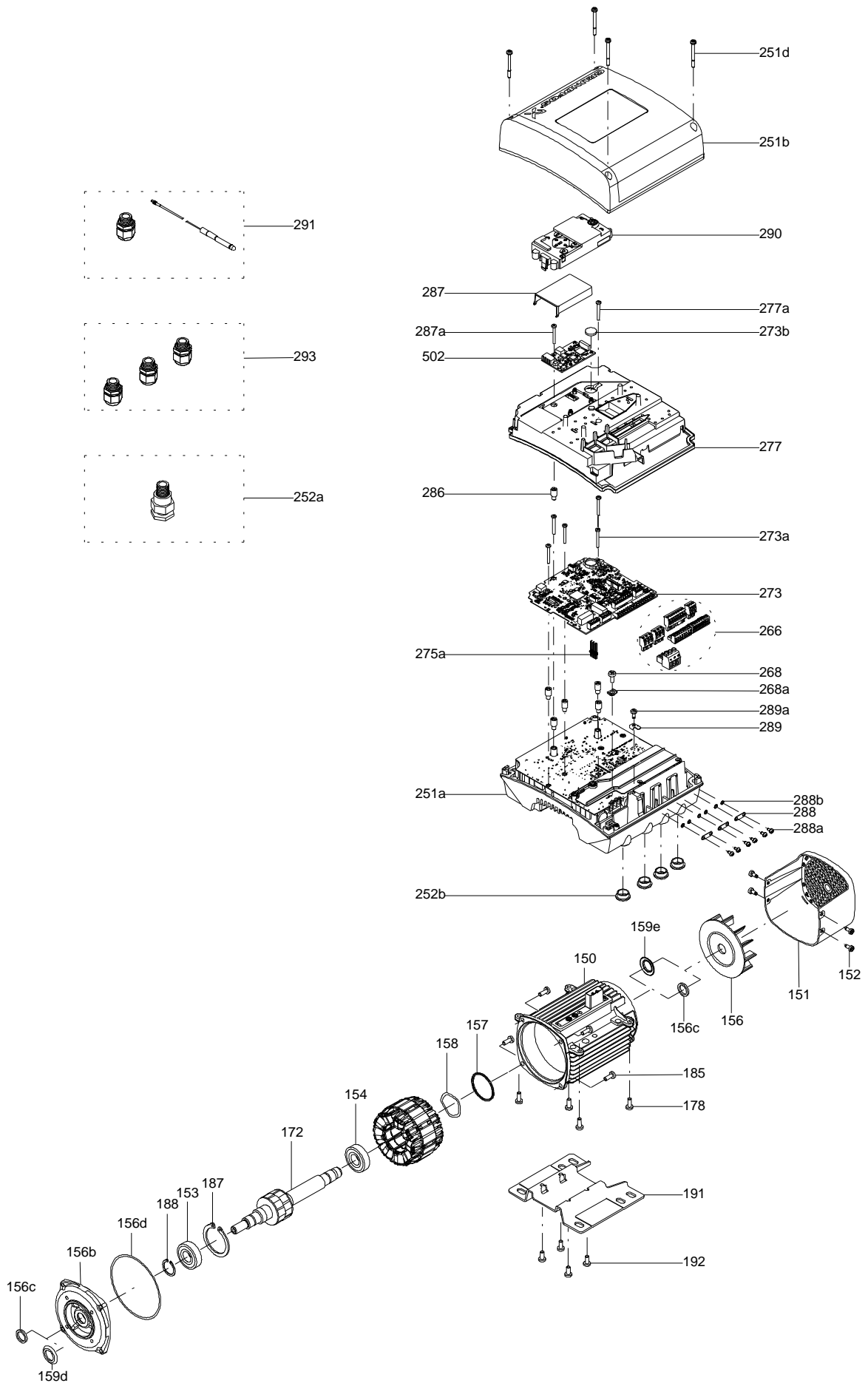


Sectional drawing (TM058200 for TPE2,TPE3)



TM058200

Exploded view (TM057026 for MGE model H/I)



Parts list CM3-6, Product No. On request
Valid from 9.2.2009 (0907)

Pos	Description	Annotation	Données de classification	Référence	Quantité	Unité
	MG71B				1	pcs
	Cross recess countersunk screw				4	pcs
- 4	Chamber cpl.				4	pcs
4a	Intermediate chamber				1	
45	Neck ring				1	
65	Neck ring retainer				1	
- 4.d	Chamber cpl.				1	pcs
	Chamber				1	
	Retainer for seal ring				1	
	Guide vane				6	
	Plate				1	
	Vane				1	
45	Neck ring				1	
65	Neck ring retainer				1	
- 5a	Chamber cpl.				1	pcs
4a	Intermediate chamber				1	
45	Neck ring				1	
65	Neck ring retainer				1	
5a	Chamber, empty				1	pcs
6.a	Flange				1	pcs
16	Collar sleeve cpl.				1	pcs
- 25	Drain plug cpl.				2	pcs
11	O-ring		Diameter: 18,5 Material type: FKM Thickness: 2		1	
25	Plug				1	
26	Hex socket head cap screw		Length (mm): 150 Thread: M8		4	pcs
31	O-ring		Diameter: 114 Material type: FKM Thickness: 3,9		1	pcs
- 32	Cover				1	pcs
	Cover plate				1	
	Plate				1	
36	Lock nut		Thread: M8		1	pcs
49	Impeller cpl.				6	pcs
51	Pump shaft		Diameter: D12		1	pcs
64	Spacing pipe				5	pcs
64.c	Clamp				1	pcs
66	Wedge lock washer				1	pcs
76	Nameplate				2	pcs
- 105	Shaft seal				1	pcs
102	O-ring		Diameter: 17,86 Material type: FKM Thickness: 2,62		1	
103	Seal ring, stationary				1	
104	Seal ring, rotating				1	
107	O-ring		Diameter: 11,5 Material type: FKM Thickness: 3,18		1	
108	Compression spring				1	
111	Retainer				1	
112	Driver for shaft seal				1	
111.a	Stop ring				1	pcs
151	Fan cover				1	pcs
151.a	Installation indicator				1	pcs
152	Pan head thread forming screw				2	pcs
156	Fan				1	pcs
191	Base plate				1	pcs

Disclaimer: The information about the Grundfos pump in this document may be outdated.

Data may be subject to alterations without further notice.

Please contact us to verify the data above is still accurate/up-to-date.

All information is copyright Grundfos.



info@lenntech.com

<https://www.lenntech.com>

tel. +31 152 610 900

fax. +31 152 616 289