

Sloan® Model Flushometer

195-1.0



► Description

Concealed Urinal Flushometer, for 3/4" back spud urinals.

► Flush Cycle

Model 195-1.0 Low Consumption (1.0 gpf/3.8 Lpf)

► Variations

L-3 3" Metal Oscillating Push Button (does not meet ADA requirements)

DFB Dual Filtered Fixed Bypass Diaphragm

► Specifications

Quiet, Concealed, Diaphragm Type, Rough Brass Urinal Flushometer for either left or right hand supply with the following features:

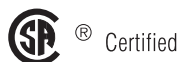
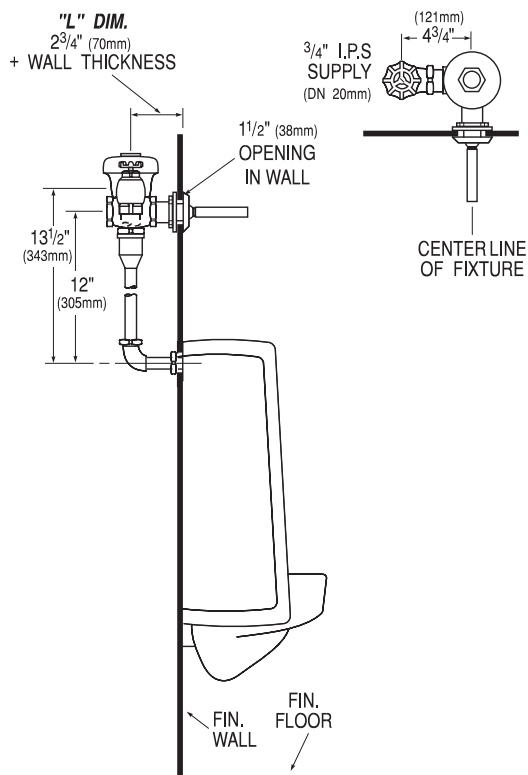
- High Chloramine Resistant PERMEX™ Synthetic Rubber Diaphragm with Linear Filtered Bypass and Vortex Cleansing Action™
- ADA Compliant Metal Oscillating Non-Hold-Open Handle with Triple Seal Handle Packing
- 3/4" I.P.S. Wheel Handle Bak-Chek® Angle Stop
- Adjustable Tailpiece
- Vacuum Breaker
- Elbow Flush Connection and Spud Coupling for 3/4" Concealed Back Spud
- Exposed Parts Chrome Plated
- High Copper, Low Zinc Brass Castings for Dezincification Resistance
- Non-Hold-Open Handle and No External Volume Adjustment to Ensure Water Conservation
- Low Consumption flush accuracy
- Handle Packing, Stop Seat and Vacuum Breaker Molded from PERMEX™ Rubber Compound for Chloramine Resistance

Valve Body, Cover, Tailpiece and Control Stop shall be in conformance with ASTM Alloy Classification for Semi-Red Brass. Valve shall be in compliance to the applicable sections of ASSE 1037, ANSI/ASME 112.19.2, and Military Specification V-29193.

► L Dimension

Specify the "L" Dimension for the proper length of the Handle Assembly and Flush Connection. The "L" Dimension is equal to the Wall Thickness (to the nearest whole inch) plus 2 3/4" (70 mm).

See Accessories Section of the Sloan catalog for details on these and other Flushometer variations.



This space for Architect/Engineer approval

Job Name _____ Date _____

Model Specified _____ Quantity _____

Variations Specified _____

Customer/Wholesaler _____

Contractor _____

Architect _____

The information contained in this document is subject to change without notice.

SLOAN®

Made in the U.S.A.

SLOAN VALVE COMPANY • 10500 SEYMOUR AVE. • FRANKLIN PARK, IL. 60131
Ph: 1-800-9-VALVE-9 or 1-847-671-4300 • Fax: 1-800-447-8329 or 1-847-671-4380

www.sloanvalve.com