


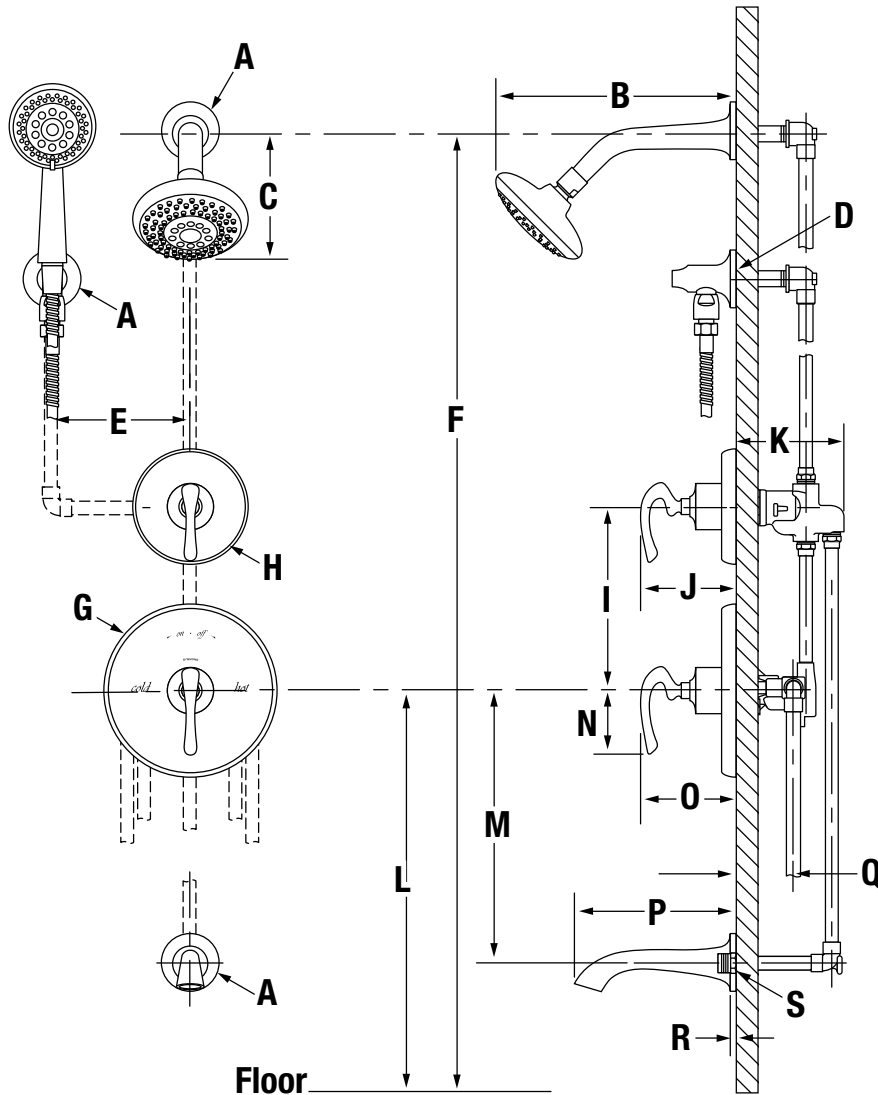


5203-TRM, 5205-TRM, 5206-TRM  
 Ballina™ Trim Series  
**Operation & Maintenance Manual**

Model Numbers	Specifications
<input type="checkbox"/> <b>5203-TRM</b> <i>Valve Trim with Hand Shower</i>  <input type="checkbox"/> <b>5205-TRM</b> <i>Shower Trim with Hand Shower</i>  <input type="checkbox"/> <b>5206-TRM</b> <i>Tub/Shower Trim with Hand Shower</i>	<p>Tub/shower trim with hand shower and lever handle includes wall connection, cradle for hand shower mounting, in-line vacuum breaker, flexible metal hose, non-diverter tub spout, 3 mode hand shower and 3 mode showerhead with standard 2.5 gpm (9.5 L/min) flow restrictor. Shower trim with hand shower and lever handle includes all of the above less non-diverter tub spout. Valve trim with hand shower and lever handle includes all of the above less non-diverter tub spout and 3 mode showerhead. Components made from metal and nonmetallic materials plated in standard polished chrome finish.</p>
Modifications	Compliance
<input type="checkbox"/> <b>-1.5</b>  <i>1.5 gpm (5.7 L/min) flow restrictor</i> <input type="checkbox"/> <b>-2.0</b>  <i>2.0 gpm (7.6 L/min) flow restrictor</i> <input type="checkbox"/> <b>-412HSB</b> <i>30" slide bar in place of wall cradle on hand shower units</i>  <input type="checkbox"/> <b>-BBZ</b> <i>Brushed bronze finish</i> <input type="checkbox"/> <b>-STN</b> <i>Satin nickel finish</i>	<p>-ASME A112.18.1/CSA B125.1</p>  <hr/> <p><b>Warranty</b></p> <p><b>Limited Lifetime</b> - to the original end purchaser in consumer installations.  <b>5 Years</b> - for commercial installations.</p> <p>Refer to <a href="http://www.symmons.com/warranty">www.symmons.com/warranty</a> for complete warranty information.</p>

**Note:** Append appropriate -suffix to model number.

## Dimensions

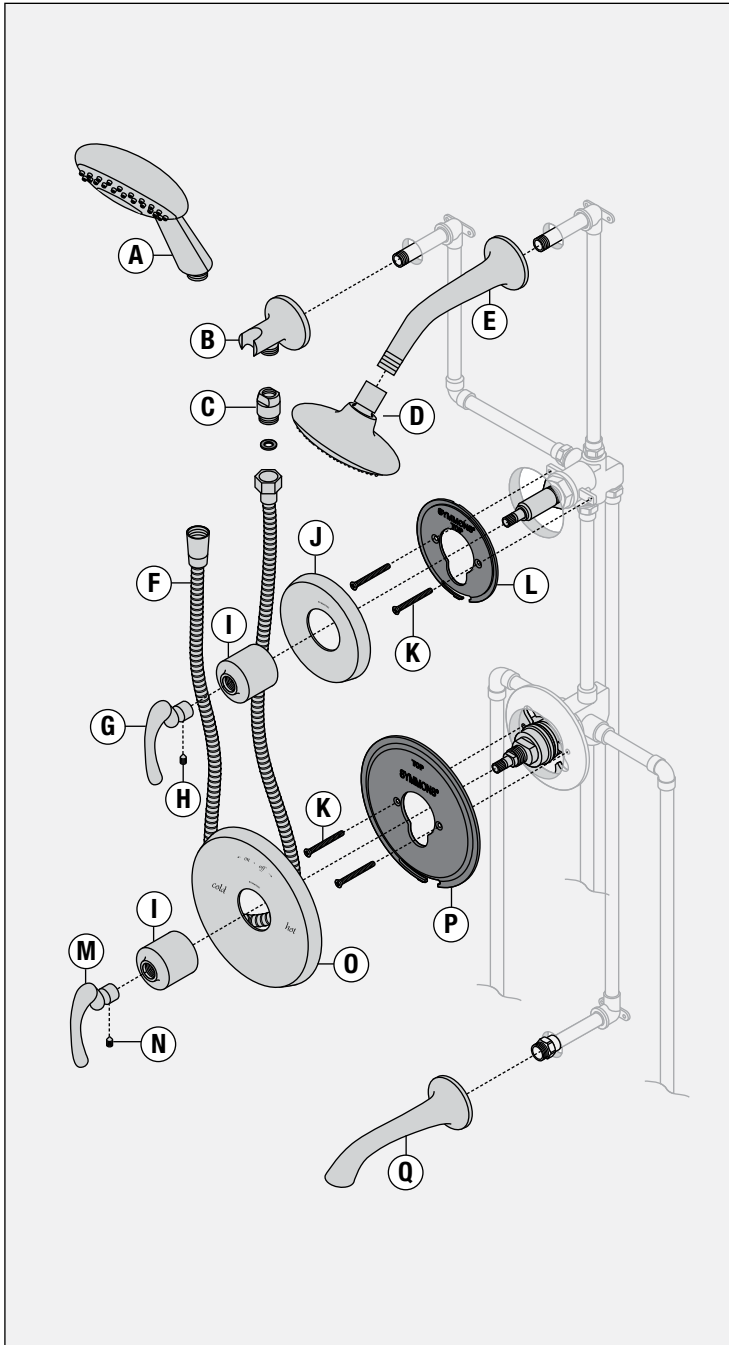


Measurements	
A	Ø 2 1/2", 64 mm
B	10 5/8", 268 mm
C	5 1/4", 132 mm
D	1/2" IPS thread must protrude 1/2" from finished wall
E	6", 152 mm right or left
F	77", 1956 mm
G	Ø 7 1/2", 191 mm
H	Ø 5", 127 mm
I	8", 203 mm
J	3 3/4", 95 mm
K	4 3/4", 121 mm (5206-TRM) 4 7/8", 124 mm (5205-TRM)
L	32", 813 mm (5206) 45", 1143 mm (5203, 5205)
M	12", 305 mm
N	3", 76 mm
O	4 1/8", 105 mm
P	7", 178 mm
Q	(Rough in) 2 3/8" ± 1/2", 60 mm ± 13 mm
R	1/2", 13 mm
S	1/2" NPT

### Notes:

- 1) All dimensions measured from nominal rough-in (see Q as reference).
- 2) Dimensions are subject to change without notice.

## Parts Breakdown




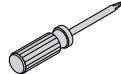


### Replacement Parts

Item	Description	Part Number
A	Hand Shower	412W
B	Cradle	T-635
C	Vacuum Breaker	EF-104
F	60" Hose	
D	Showerhead	412SH
E	Shower Arm	T-637
G	Diverter Handle	T-629
H	Set Screw	
I	Dome Cover	T-633
J	Diverter Escutcheon	T-634-NS-K001
K	Mounting Screws	
L	Mounting Plate	
M	Shower Handle	T-660
N	Set Screw	
K	Mounting Screws	T-631-NS-K001
O	Shower Escutcheon	
P	Mounting Plate	
Q	Tub Spout	522TS

#### Notes:

- 1) Append -STN to part number for satin nickel finish, -BBZ for brushed bronze.
- 2) Append -1.5 or -2.0 to showerhead or hand shower for low flow.

### Required for Installation

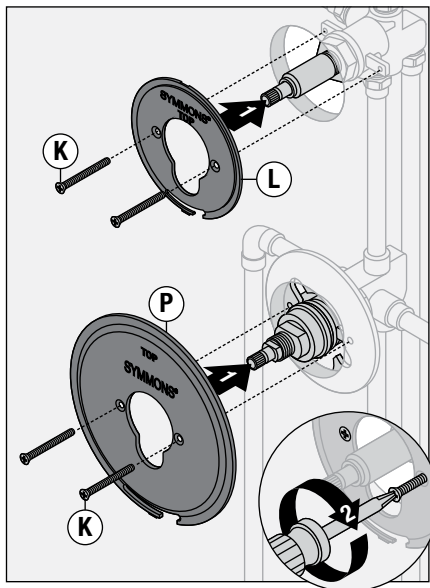
Adjustable wrench	
Phillips head screwdriver	
Allen wrench (1/8")	
Plumber tape	

# Installation

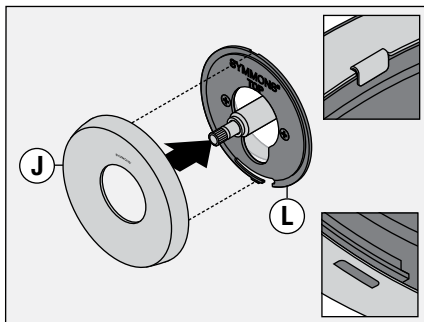
**Note:**

For valve body installation, please see valve body installation guides.

- 1) Install small plastic mounting plate (L) to diverter valve (5206 diverter valve = 4-460E-BODY, 5205 diverter valve = 4-458E-BODY) and large plastic mounting plate (P) to shower valve (4000-BODY). Secure each with two screws (K).

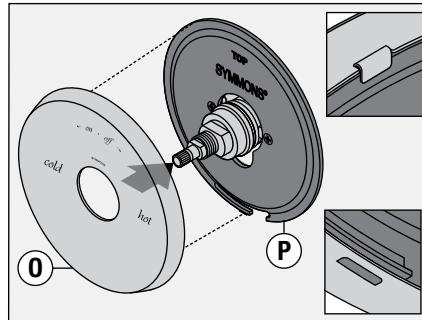


- 2) Attach diverter escutcheon (J) to small plastic mounting plate (L).



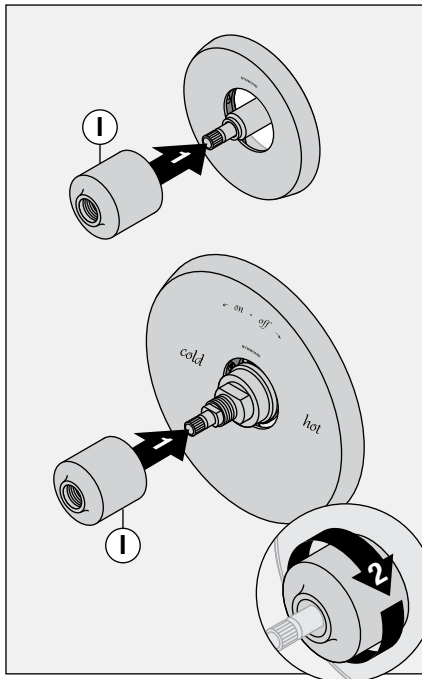
**Note:** Tabs should snap into place.

- 3) Attach shower escutcheon (O) to large plastic mounting plate (P).

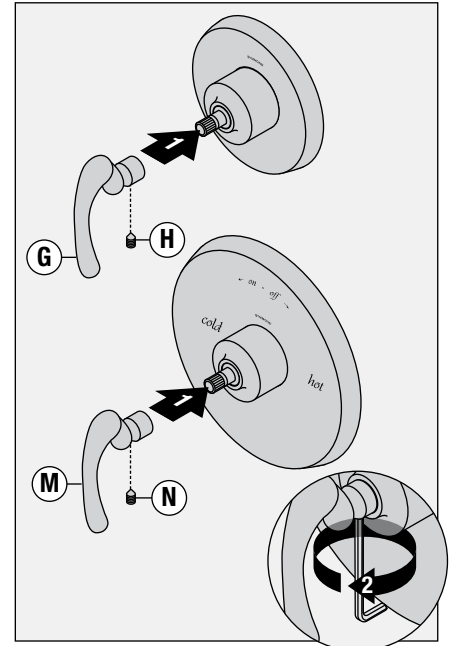


**Note:** Tabs should snap into place.

- 4) Install dome covers (I) to valves by turning clockwise.

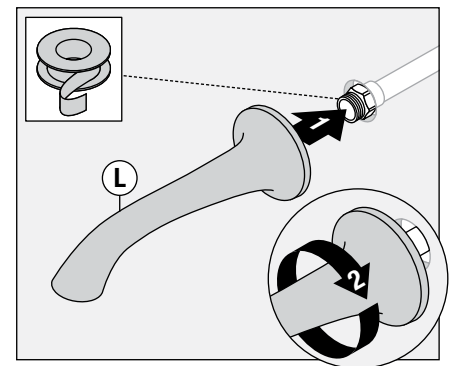


- 5) Install diverter handle (5205 and 5206 only) (G) and shower handle (M) to valves. Secure handles by tightening set screws (H) and (N).



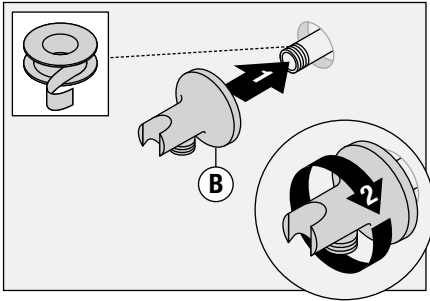
**Note:** Handles should be facing the 6 o'clock position.

- 6) Install tub spout (Q) to pipe fitting. Turn clockwise to secure.

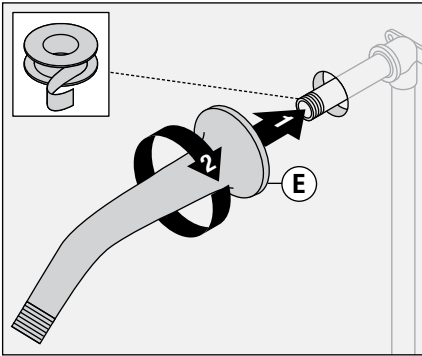


## Installation

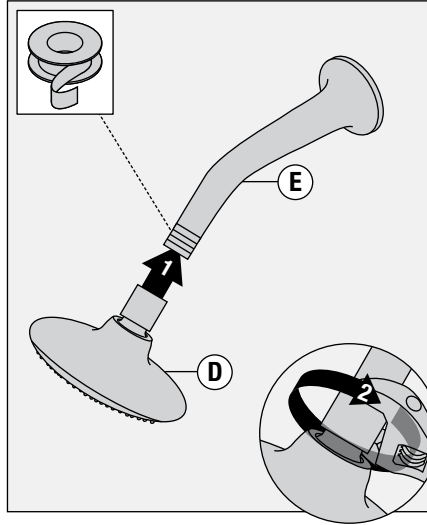
- 7) Install cradle (B) to pipe fitting.  
Turn clockwise to tighten.



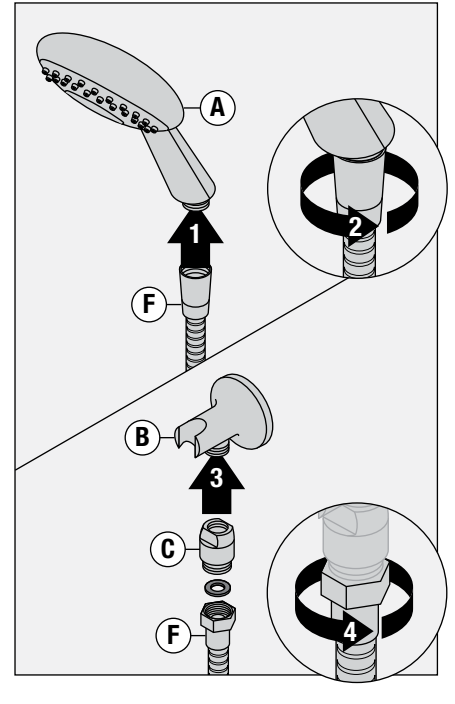
- 8) Attach shower arm (E) to vertical shower pipe. Turn clockwise to tighten.



- 9) Install showerhead (D) to shower arm (E). Turn clockwise to tighten.



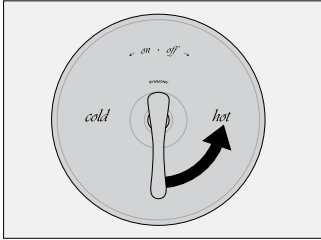
- 10) Attach large end of hand shower hose (F) to hand shower (A). Attach small end of hand shower hose (F) and gasket to in-line vacuum breaker (C). Connect in-line vacuum breaker to cradle (B). Turn clockwise to tighten.



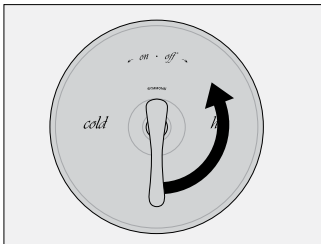
## Operation

### Temperature Control

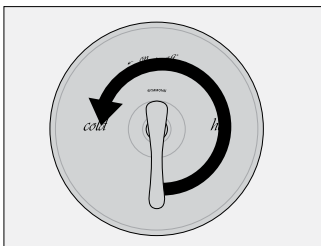
- 1) Turn shower handle counterclockwise approximately 1/4 turn to put valve in cold position.



- 2) Turn shower handle counterclockwise approximately 1/2 turn to put valve in warm position.

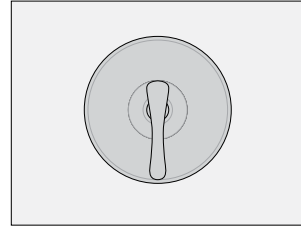


- 3) Turn shower handle counterclockwise approximately 3/4 turn to put valve in hot position.



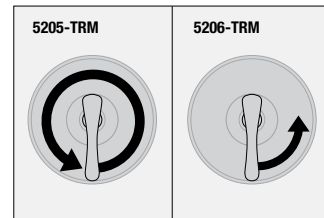
### Diverter Control

- 1) Diverter handle facing straight down is for diverter function 1.

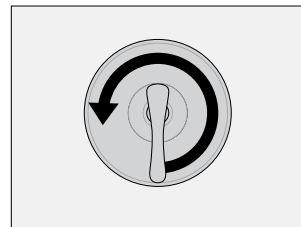


- 2) **5203-TRM & 5205-TRM:** Turn diverter handle counterclockwise one full revolution for diverter function 2.

**5206-TRM:** Turn diverter handle counterclockwise 1/4 turn for diverter function 2.



- 3) **5206-TRM:** Turn diverter handle counterclockwise 3/4 turn for diverter function 3.



## Care and Cleaning

- 1) Clean finished trim area with a soft cloth using mild soap and water or a non-abrasive cleaner and then quickly rinse with water.

## Troubleshooting Chart

Problem	Cause	Solution
Finish is spotting.	Elements in water supply may cause water staining on finish.	Clean finished trim area with a soft cloth using mild soap and water or a non-abrasive cleaner and then quickly rinse with water.