

FILTER KIT

EWF3000 Watersentry® Plus KIT (Lead, Aesthetic Chlorine Taste & Odor & Particulate Class I Reduction) FOR COMMERCIAL USE ONLY

The Elkay® WaterSentry® Plus conforms to NSF/ANSI Standard 42 and 53 for the reduction of Aesthetic Chlorine, Taste and Odor, Particulate Class I, and Lead.



FOR COMMERCIAL USE ONLY

These filter kits are designed to be used with the following Elkay product.

1. LZS

NOTICE: Do not use with water that is microbiologically unsafe or of unknown quality without adequate disinfection before or after the system. Filter must be used with filter monitor for 3000 gallon rating

General Installation Instructions

1. These filter kits must be installed in compliance with all state and local laws and regulations governing the installation and use of this product. Maximum inlet water temperature 100°F (38°C).
2. Mount filter head in a suitable location, using the filter mounting bracket and screws supplied. Allow enough room under the filter head for installation and removal of filter cartridge (13" minimum).
3. Connect the cold water supply to the filter through a shut-off valve and 3/8" O.D. tubing (supplied by the installer). For ease of servicing, the shut-off valve should be located within easy reach of the filter.

NOTE: The inlet and outlet fitting supplied as part of the filter head are John Guest Superseal fittings that accept 3/8" O.D. tubing on the filter inlet and 1/4" O.D. tubing on the outlet. They may be used with copper, stainless steel, or semirigid nylon or polypropylene tubing, with a rated working pressure equal or greater than encountered in application. Do not use soft or braided tubing.

4. CAUTION: If supply pressure will ever exceed 100 psi, install a pressure regulator to limit the inlet pressure to the filter to 100 psi or below. DO NOT ATTACH HOT WATER LINE TO FILTER.

To make connections on the filter head, loosen locknut. Push the tube end past both o-rings to a positive stop in the filter head recess - approx. 1", locknut may have to be backed out a little more. Screw the locknut hand tight to seal (See Fig. 1). Ends of tubing must be cut square and free of burrs and sharp ends that could cut or nick the o-rings.

5. Connect the outlet of the filter to the inlet of the union using the 1/4" O.D. poly tubing and 1/4" union supplied.
6. Remove filter from carton, remove protective cap, attach filter to filter head by firmly inserting into head and rotating filter clockwise.

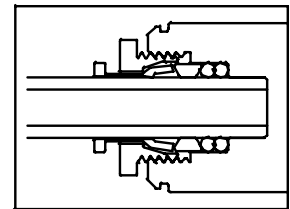
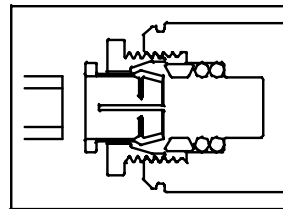


FIG. 1 See Note 4: Screw the locknut hand tight to seal

OPERATION OF QUICK CONNECT FITTINGS

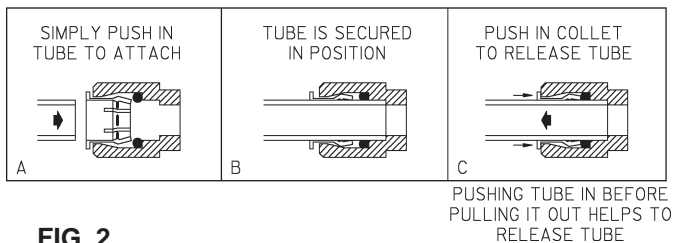


FIG. 2

WaterSentry® Plus Retro Bottle Filler and Water Cooler.

7. Turn on water supply and hold open the bubbler on cooler until approximately 1 gallon of water is dispensed. This flushing procedure purges air and fine carbon particles from the filter. When 1 gallon of water has been purged through the cooler, carefully inspect all water connections for leaks.

WaterSentry® Plus In Wall Bottle Filler.

7. Turn on water supply and activate the electric eye on In Wall Bottle Filler until approximately 1 gallon of water is dispensed. Please note that the electric eye activation times out at 30 seconds and will need to be activate repeatedly until one gallon has been passed. This flushing procedure purges air and fine carbon particles from the filter. When 1 gallon of water has been purged through the bottle filler, carefully inspect all water connections for leaks.

Filter Replacement*

1. Turn inlet water valve off.
2. Open bubbler or activate the electric eye to relieve pressure build-up in the system.
3. Remove filter from head by rotating filter counterclockwise.
4. Remove new filter from carton, remove protective cap; cap may be placed on old filter to reduce the chance of water spilling from filter housing.
5. Attach filter to filter head by firmly inserting into head and rotating filter clockwise.

NOTE: The filter head contains an automatic shut-off valve that stops the flow of water, if the filter is removed inadvertently without shutting off the incoming water.

| RATED OPERATING CONDITIONS | |
|----------------------------|-----------------------------------|
| Pressure (Max.) | 105 PSI (7.4 Kg/cm ²) |
| Pressure (Min.) | 20 PSI (1.4 Kg/cm ²) |
| Flow Rate | 1.5 GPM |
| Temperature (Max.) | 120° F (50° C) |
| Temperature (Min.) | 40° F (5° C) |

NOTE: Performance will vary depending on local water conditions.

Table A

| REPLACEMENT FILTER | | |
|-------------------------|----------|-----------------------------|
| Filter | Part No. | Description |
| ELKAY WaterSentry® Plus | 51300C | Lead, Taste and Odor Filter |

NOTE: If the flow exceeds the rated flow rate, install a flow restrictor, Elkay Part No. 50967C, to limit the flow to .5 gpm.

| ITEMIZED PARTS LIST | | |
|---------------------|-------------|-----------------------------------|
| Item No. | Part No. | Description |
| *1 | 22490C | Bracket - Filter Mounting |
| 2 | 38417002 | Screw #8-18 x .50 (13mm) LG. HHSM |
| **3 | 51469C | Filter Head & Bracket Assembly |
| 4 | 70792C | Screw #8-18 x .75 (19mm) LG. PH |
| 5 | 56092C | Poly Tubing(Cut to Length) |
| 6 | 70823C | Fitting - Superseal 3/8" (10mm) |
| 7 | 70822C | Fitting - Superseal 1/4" (6mm) |
| 8 | See Table A | Filter Assembly |
| 9 | 70683C | Union - 1/4" (6mm) |
| 10 | 70818C | Elbow Adapter 3/8" x 3/8" |

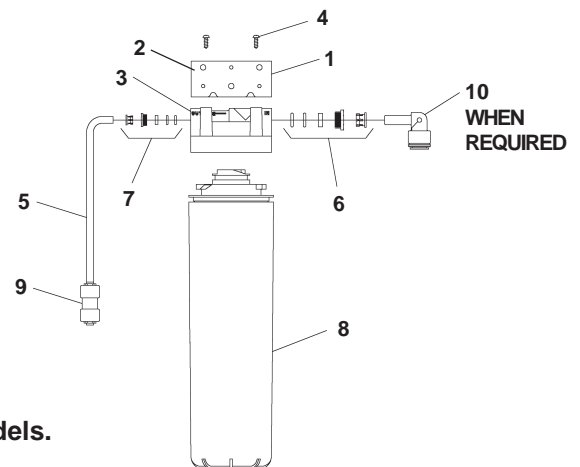
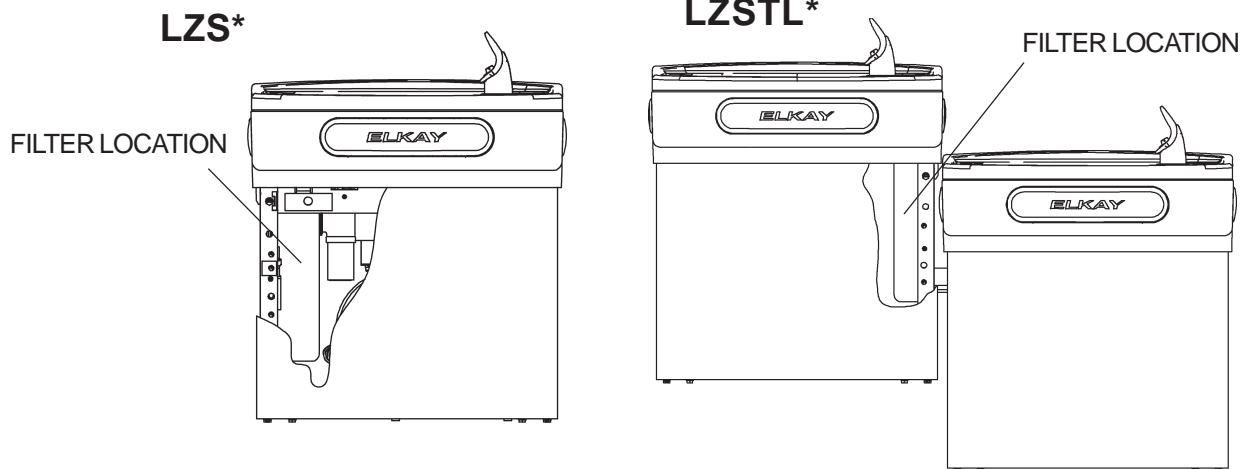


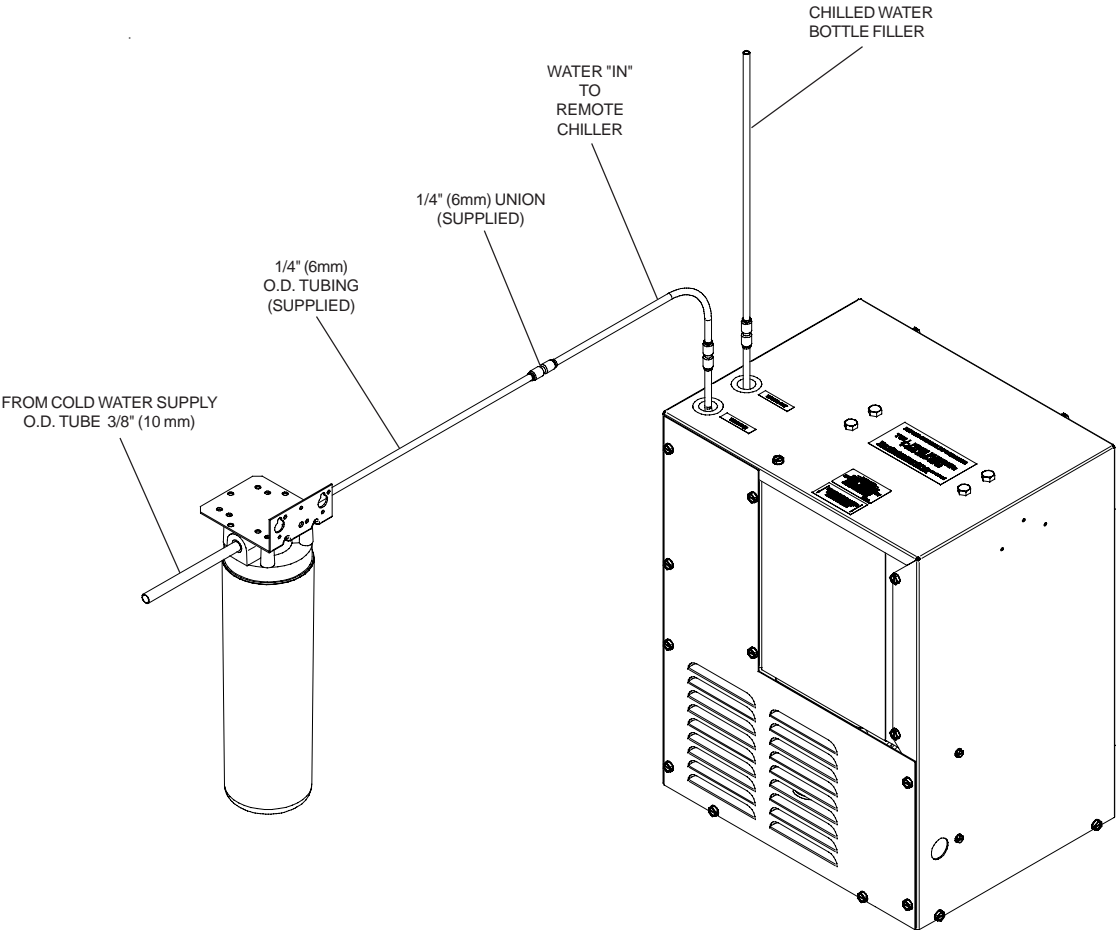
FIG. 3

*Note: Bracket can be turned over to provide better fit in some models.

**Item No(s). 1, 4, 6, and 7 included with item No. 3.



In Wall Bottle Filler & Remote Chiller



INSTALLATION WHEN USED WITH WATER CHILLER

PLUMB FILTER OUTLET DIRECTLY TO IN WALL BOTTLE FILLER IF NO CHILLER IS USED

See page 4 for replacement information.

