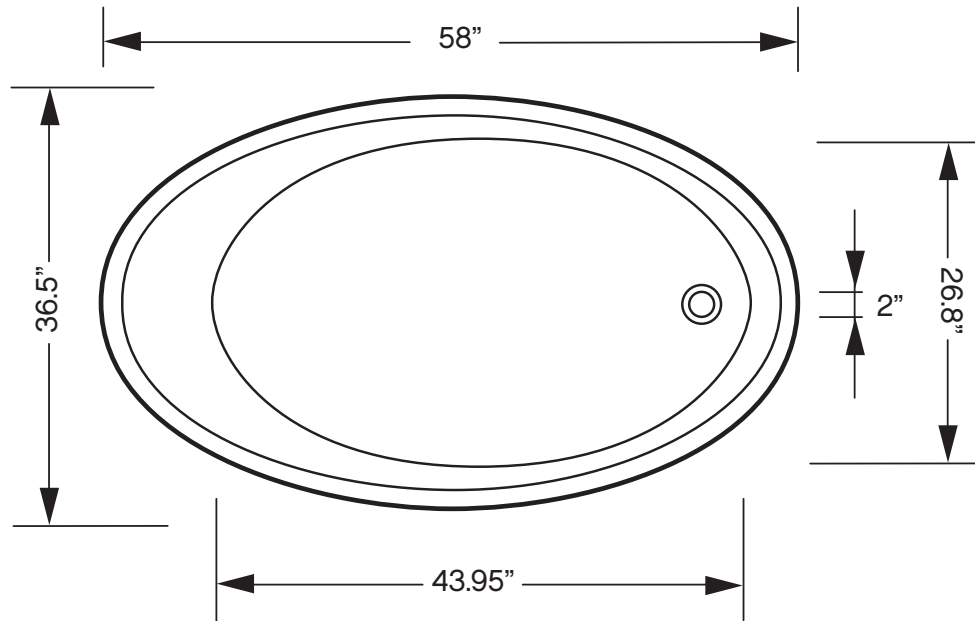
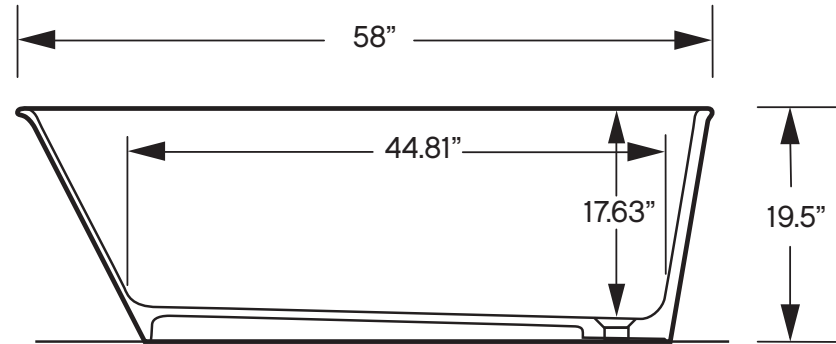
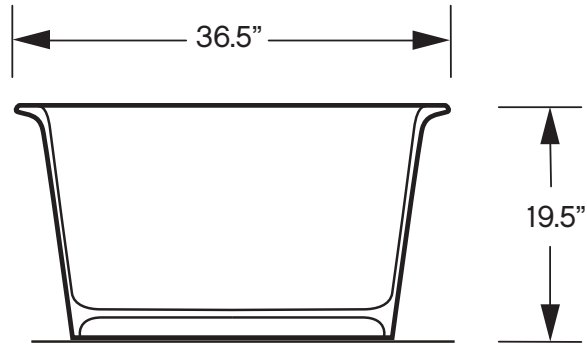


# CLARKE

ARCHITECTURAL



## OVAL

LENGTH	58"	CAPACITY	71 Gallons
WIDTH	36.5"	DRAIN	Offset
HEIGHT	19.5"	MODEL #	CA7234FS-01