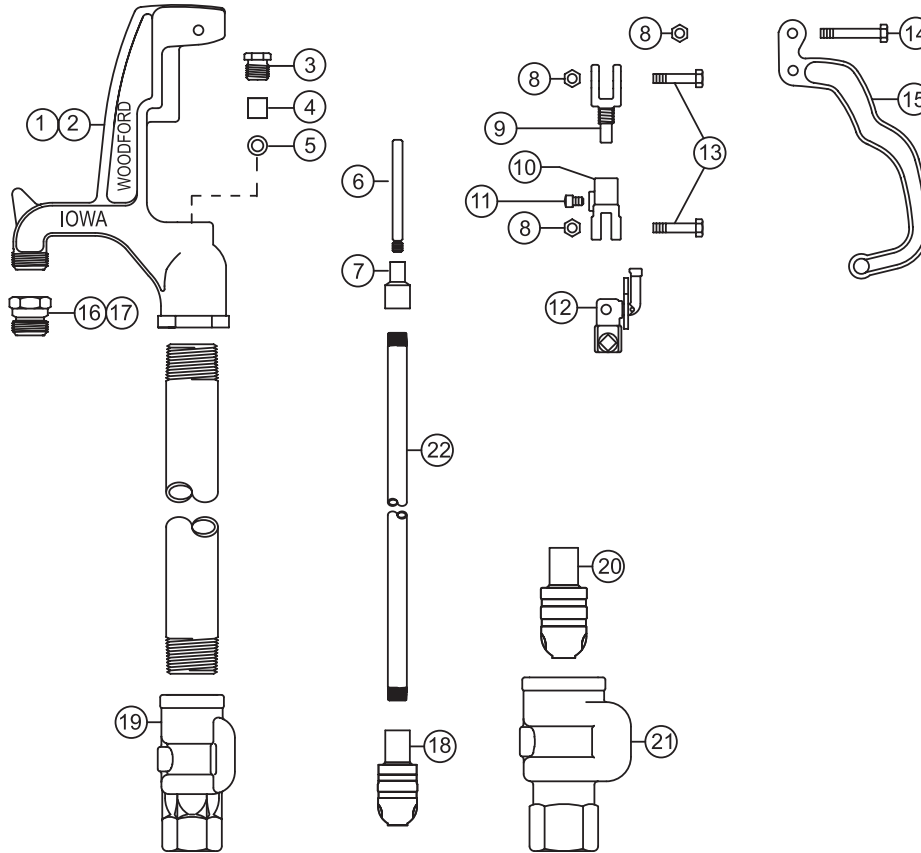


WOODFORD

Woodford
Excellence
 Since 1929
 Proudly Made In The U.S.A.



MODEL Y34 & Y1 PARTS LIST

ITEM	PART#	DESCRIPTION	ITEM	PART#	DESCRIPTION
	RK-Y34HA	Repair Kit Y34 Head Assembly (Includes Items 1, 3-16) Replaces Part 15003	22	Y34 & Y1 OPERATING PIPE (Bury Depth & Length)	
	RK-Y1HA	Repair Kit Y1 Head Assembly (Includes Items 2, 3-16) Replaces Part 15001		10023	1' Bury (35 1/2" Long)
1	15004	Y34 Head with 3/4" Nozzle		10024	2' Bury (47 1/2" Long)
2	15002	Y1 Head with 3/4" Nozzle		10025	3' Bury (59 1/2" Long)
3	10100	Packing Nut		10026	4' Bury (71 1/2" Long)
4	10101	Packing		10027	5' Bury (83 1/2" Long)
5	10102	Packing Support Washer		10028	6' Bury (95 1/2" Long)
6	10104	Brass Rod Stem		10029	7' Bury (107 1/2" Long)
7	10011	Reducing Coupling		10030	8' Bury (119 1/2" Long)
8	10206	Hex Nut (3)		10089	9' Bury (131 1/2" Long)
9	10009	Upper Link		10090	10' Bury (143 1/2" Long)
10	15007	Lower Link (Includes Item 11)	22	Y34 ONLY Stainless Steel OPERATING PIPE	
11	10019	Set Screw (2)		10123	1' Bury (35 1/2" Long)
12	15008	Cam & Clevis Assembly		10124	2' Bury (47 1/2" Long)
13	10020	Link Bolt (2)		10125	3' Bury (59 1/2" Long)
14	10021	Lever Bolt		10126	4' Bury (71 1/2" Long)
15	10008	Lever		10127	5' Bury (83 1/2" Long)
16	10004	3/4" Brass Hose Nozzle (Standard)		10128	6' Bury (95 1/2" Long)
17	10007	1" Brass Hose Nozzle (Optional)		10129	7' Bury (107 1/2" Long)
18	10105	Y34 Plunger		10130	8' Bury (119 1/2" Long)
19	10018	Y34 Valve Body (3/4" NPT Inlet)		10131	9' Bury (131 1/2" Long)
20	10106	Y1 Plunger		10132	10' Bury (143 1/2" Long)
21	10017	Y1 Valve Body (1" NPT Inlet)		RK-Y34	Repair Kit (Includes Items 3-6 & 18)
				RK-Y1	Repair Kit (Includes Items 3-6 & 20)
				RK-YHL	Repair Kit (Includes Items 8-14)

For more information contact...

WOODFORD MANUFACTURING COMPANY

2121 Waynoka Road, Colorado Springs, Colorado 80915 • Phone: (800) 621-6032 • Fax: (800) 765-4115

To view our complete product line visit: www.woodfordmfg.com or email: sales@woodfordmfg.com