

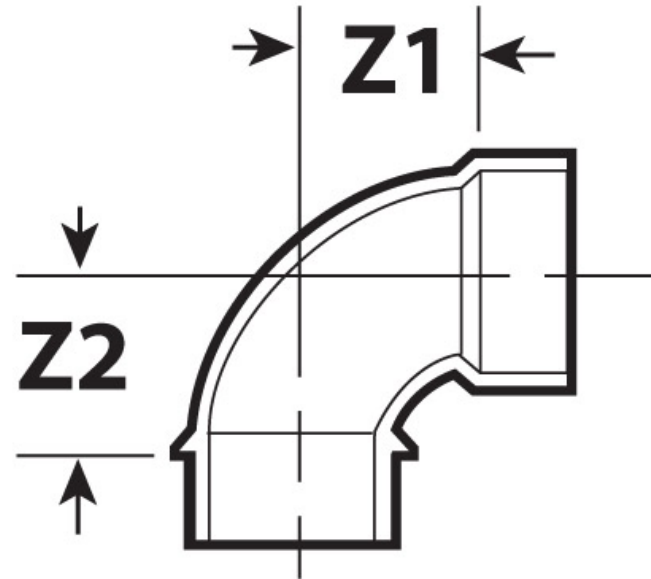


Submittal Sheet

Part Description:
 3" ABS DWV 1/4 or 90 Degree Long Turn
 Street Bend or Elbow, Spigot X H

Part Number:
 102453L

Approvals and Listings maintained by:
 Canplas Industries Ltd
 Canada: 1-800-461-5300 USA: 1-888-461-5307



ASTM



Part #	Part UPC	Colour	Size (inches)	Ctn Qty	Ctn Bar Code	Ctn. Wt (Kgs)	Ctn. Wt (lbs)	Skid Cubic (m)	Skid Cubic (ft)	Ctns/Skid
102453L	662671101075	ORANGE	3X3	15	10662671101072	5.67	12.47	1.86	65.82	32

Dimensions (inches)

Z1	Z2
3.06	3.06