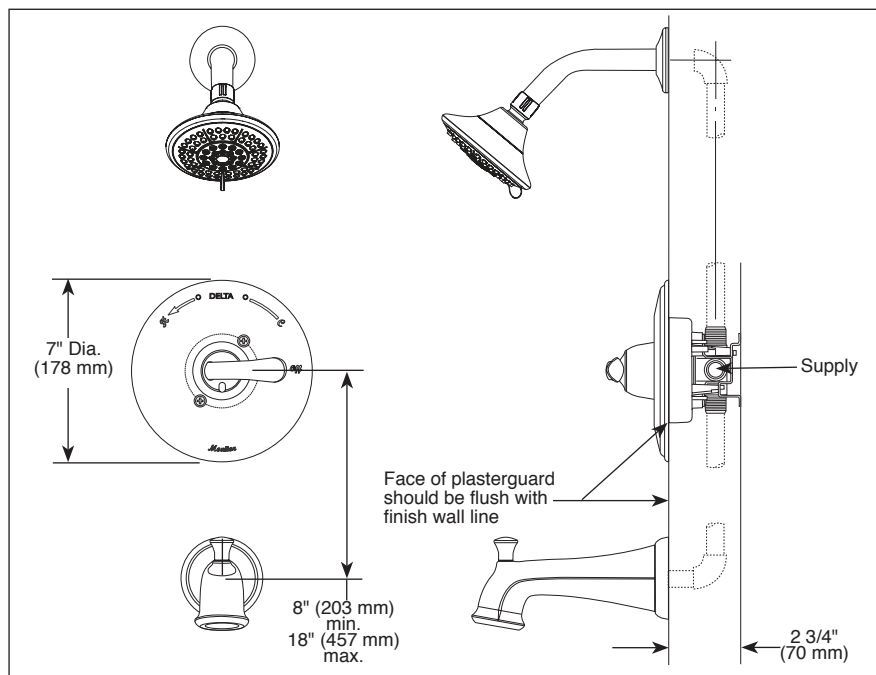
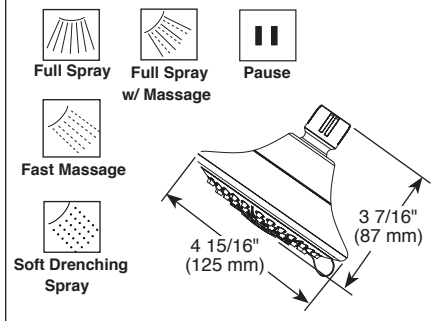


Submitted Model No.: _____

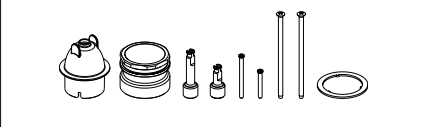
Specific Features: _____



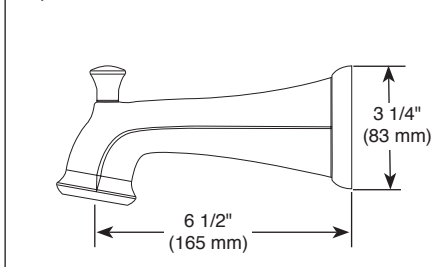
RP78575▲ 1.75 GPM Touch-Clean® Shower Head



RP77991 Available Extension Kit



RP83676▲ (Pull-Up Diverter)
Slips onto 1/2" C.W.T.



▲ Designate Proper Finish Suffix



see what Delta can do™

TUB AND SHOWER FAUCET TRIM

- Linden™ Bath Collection
- Tub/Shower (T14494-SOS)

STANDARD SPECIFICATIONS:

- 14 Series pressure balanced bath single handle mixing valve trim
- Maintains a balanced pressure of hot and cold water even when a valve is turned on or off elsewhere in the system
- For use with MultiChoice® Universal rough valve body (R10000 Series)
- Back-to-back installation capability
- Solid brass forged body
- Temperature only controlled with handle
- Field adjustable to limit handle rotation into hot water zone
- 120° maximum handle rotation
- All parts replaceable from the front of the valve
- Shower head max flow rate 1.75 gpm @ 80 psi, 6.6 L/min @ 550 kPa
- Stem extension kit RP77991 can be ordered to allow for an additional 1 3/4" wall thickness. RP77991 ships with chrome escutcheon screws. For special finishes also order RP12630 escutcheon screws in desired finish.

WARRANTY

- Parts and Finish - Lifetime limited warranty; or for commercial purchasers, 10 years for multi-family residential (apartments and condominiums) and 5 years for all other commercial uses, in each case from the date of purchase.
- Electronic Parts and Batteries (if applicable) - 5 years from the date of purchase; or for commercial purchasers, 1 year from the date of purchase. No warranty is provided on batteries.



COMPLIES WITH:

- ASME A112.18.1 / CSA B125.1
- ASSE 1016
- Indicates compliance to ICC/ANSI A117.1 - Valve control only
- EPA WaterSense®

Delta reserves the right (1) to make changes in specifications and materials, and (2) to change or discontinue models, both without notice or obligation. Dimensions are for reference only. See current full-line price book or www.deltafaucet.com for finish options and product availability.