

# MOEN®

## Specifications

### DESCRIPTION

- Metal construction with various finishes identified by suffix
- 1/2" IPS connections
- Hot and cold temperature indicators available
- Includes metal pop-up waste assembly

### OPERATION

- Lever style handles with optional hot & cold indicators available
- Maximum handle rotation angle is 90° to full on for either handle
- Hot side counterclockwise to open (clockwise to close)
- Cold side clockwise to open (counterclockwise to close)

### FLOW

- Water usage is limited to these maximum flow rates as indicated by the corresponding product markings
  - 1.2 gpm max (4.5L/min) at 60 psi

### CARTRIDGE

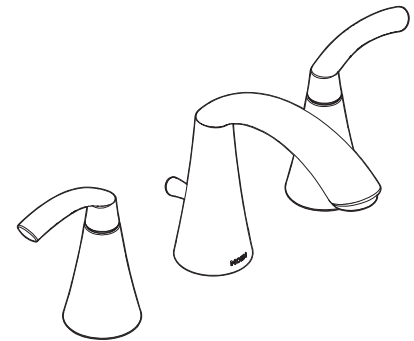
- 1234 cartridge design
- Nonmetallic, nonferrous and stainless steel material

### STANDARDS

- Third party certified to WaterSense®, ASME A112.18.1/CSA B125.1 and all applicable requirements referenced therein
- Certified to NSF 61/9 & 372
- Products marked with 1.2 gpm are compliant with California water efficiency regulations
- Complies with California Proposition 65 and with the Federal Safe Drinking Water Act
- ADA ♿ for lever handles

### WARRANTY

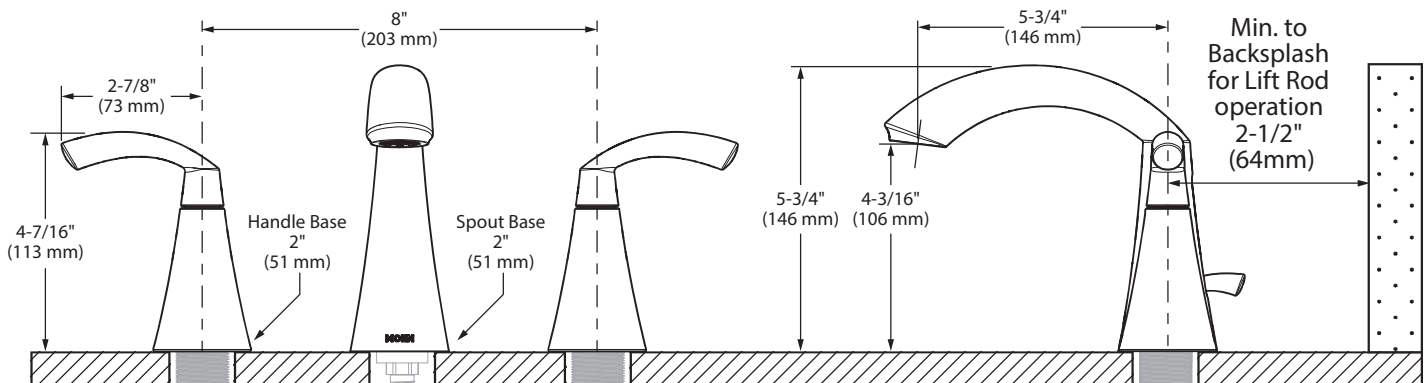
- Lifetime limited warranty against leaks, drips and finish defects to the original homeowner
  - 10 year limited warranty when used in a multifamily installation
  - 5 year limited warranty when used in a commercial installation
- Visit [www.moen.com/support](http://www.moen.com/support) for complete details and limitations



### GLYDE™ Two-Handle Widespread Lavatory Faucet

**Models:** T6173 series  
**Valve:** 9000, 69000

**NOTE:** THIS FAUCET IS DESIGNED TO BE INSTALLED THROUGH 3 HOLES, 1-1/8" MIN. DIA.



### CRITICAL DIMENSIONS

(DO NOT SCALE)