

DESCRIPTION

- Metal construction with a chrome plated, LifeShine® polished brass, Platinum, Black Opal™, Classic Gold, or Satine™ finish
- Pressure balancing cycle valve
- 1/2" CC or IPS connections

OPERATION

- Flow handle (lever) operates counterclockwise through a 180° arc with off at 6 o'clock and maximum flow at the 12 o'clock position. Shut off in clockwise direction
- Temperature handle (knob) operates through a 340° arc with maximum cold at full clockwise rotation (corresponding to the numeral 1) and maximum hot at full counterclockwise rotation (corresponding to the numeral 9)
- Thermostatic pressure balancing mechanism maintains selected discharge temperature to ± 3°F
- Factory established temperature range from 85°F (29°C) to 115°F (46°C)

FLOW

- Showerhead is limited to 2.5 gpm (9.5 L/min)

CARTRIDGE

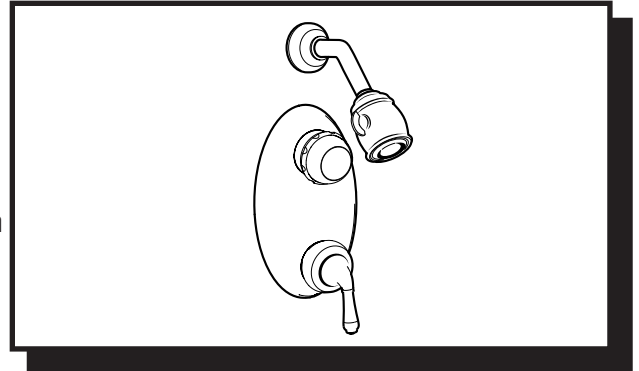
- Thermostatic pressure balancing cartridge design with nonmetallic/nonferrous materials
- 1248 cartridge design with nonmetallic/nonferrous and stainless steel materials

STANDARDS

- Third party certified by CSA to meet CSA B-125, ASME A112.18.1M and all applicable requirements referenced therein including ASSE 1016

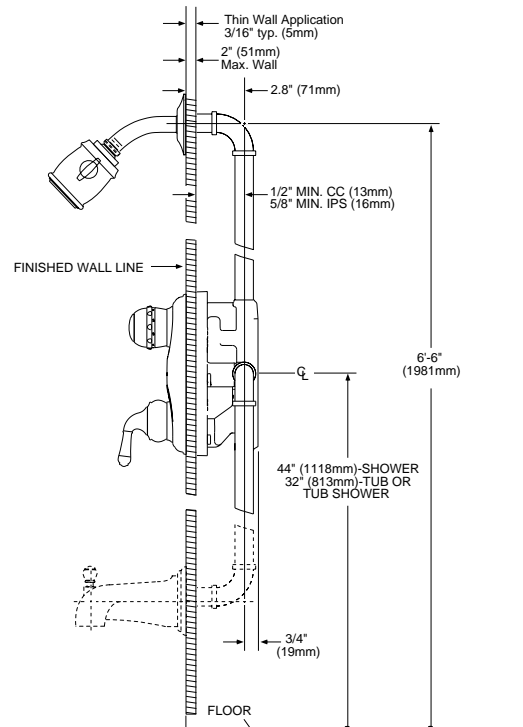
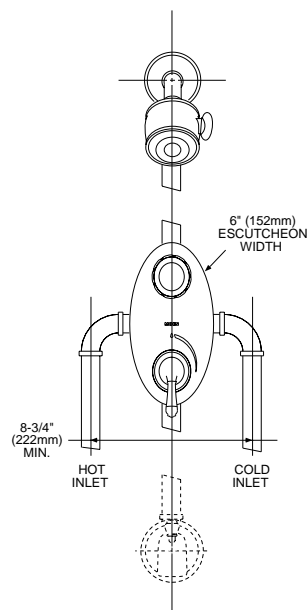
WARRANTY

- Lifetime limited warranty against leaks, drips and finish defects to the original consumer purchaser
- 5 year warranty if used in commercial installations



MONTICELLO® INSPIRATIONS™ ExactTemp™ Shower (Trim Only)

Models: RT3330, RT3330P, RT3330BP,
RT3330PM, RT3330CG, RT3330ST
Valves: 3301 (CC), 3321 (IPS)



CRITICAL DIMENSIONS

(DO NOT SCALE)

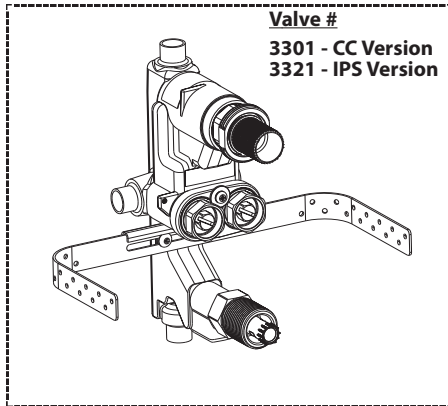


Buy it for looks. Buy it for life.®

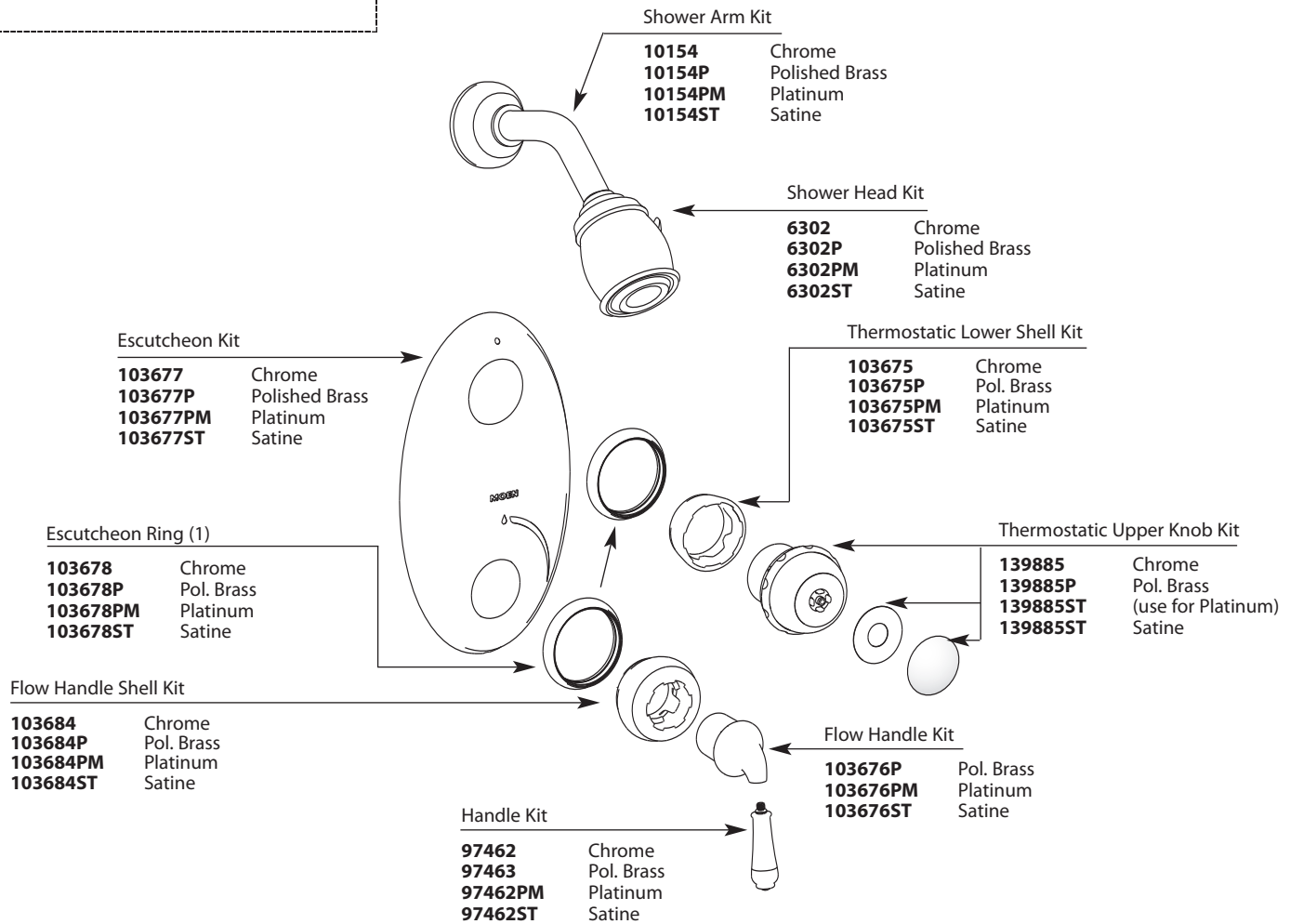
Illustrated Parts

■ Order by Part Number

■ See Tub/Shower Trim/Valves Section for ordering valve parts.



MONTICELLO® INSPIRATIONS™ ExactTemp™ Valve Trim for Vertical Spa Set #245		
Shower Only	FINISH	MODEL
T3330	Chrome	DISCONTINUED SKUS
T3330P	Polished Brass	RT3310 RT3330 RT3310BP
T3330PM	Platinum	RT3330P RT3310CG RT3330PM
T3330ST	Satine™	RT3310P RT3330ST RT3310PM
		RT3310ST RT3330BP RT3330CG
		RT3360 RT3360BP RT3360CG
		RT3360P RT3360PM RT3360ST




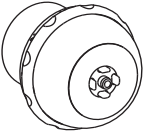





Buy it for looks. Buy it for life.®


Illustrated Parts

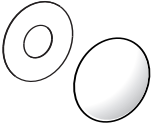
Available Finishes


* Part Finishes Chart


Lower Shell Kit 	103675 Chrome 103675P Polished Brass 103675PM Platinum 103675ST Satine 103675BP Black Opal 103675CG Classic Gold
Upper Knob Kit 	103673 Chrome 103673P Polished Brass 103673PM Platinum 103673ST Satine 103673BP Black Opal 103673CG Classic Gold
Escutcheon Kit 	103677 Chrome 103677P Polished Brass 103677PM Platinum 103677ST Satine 103677BP Black Opal 103677CG Classic Gold
Escutcheon Ring 	103678 Chrome 103678P Polished Brass 103678PM Platinum 103678ST Satine 103678BP Black Opal 103678CG Classic Gold


Handle Kit 	97462 Chrome 97463 Polished Brass 97462PM Platinum 97462ST Satine 97462BP Black Opal 97462CG Classic Gold
--	--


Flow Handle Shell Kit 	103684 Chrome 103684P Polished Brass 103684PM Platinum 103684ST Satine 103684BP Black Opal 103684CG Classic Gold
---	---

End Cap Kit 	103679 Chrome 103679P Polished Brass 103679PM Platinum 103679ST Satine 103679BP Black Opal 103679CG Classic Gold
---	---

Flow Handle Kit 	103676P Polished Brass 103676PM Platinum 103676ST Satine 103676BP Black Opal 103676CG Classic Gold
--	---

Showerhead 	3940 Chrome 3940P Polished Brass 3940PM Platinum 3940ST Satine 3940BP Black Opal 3940CG Classic Gold
--	---

Shower Arm Kit 	10154 Chrome 10154P Polished Brass 10154PM Platinum 10154ST Satine 10154BP Black Opal 10154CG Classic Gold
--	---

Shower Arm Flange 	AT2199 Chrome AT2199P Polished Brass AT2199PM Platinum AT2199ST Satine AT2199BP Black Opal AT2199CG Classic Gold
---	---

DESCRIPTION

- Metal construction with a chrome plated, LifeShine® Polished Brass, Satine™, Classic Gold™, Black Opal, Satine® or Platinum finish

OPERATION

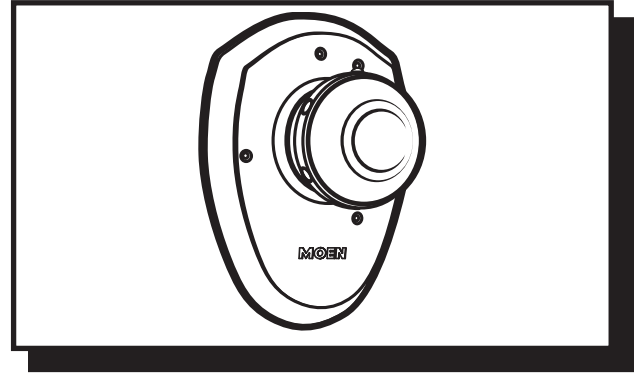
- Knob style handle operation
- Ceramic disk cartridge
- 4 discrete and 1 shared function

STANDARDS

- Third party certified by CSA to meet CSA B-125, ASME A112.18.1M and all applicable requirements referenced therein

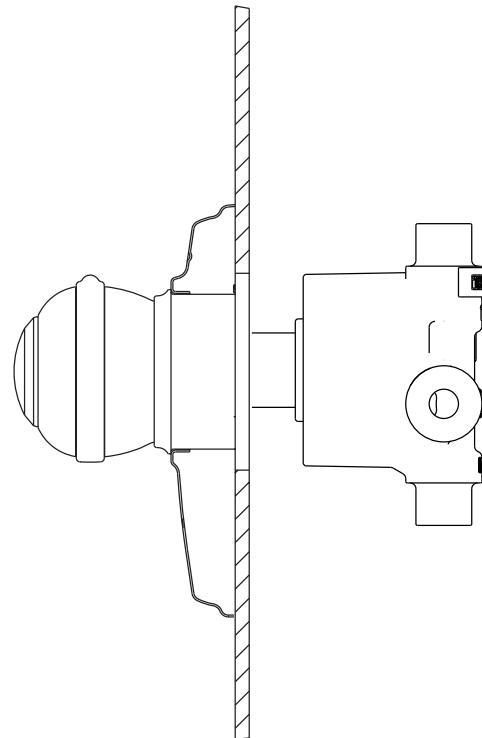
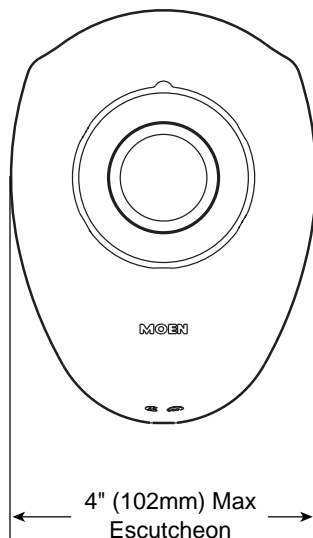
WARRANTY

- Lifetime limited warranty against leaks, drips and finish defects to the original consumer purchaser
- 5 year warranty if used in commercial installations



MONTICELLO®
5-Function Transfer Valve Trim

**Models: RT4150, RT4150BP, RT4150P,
RT4150PM, RT4150ST, RT4150CG**



CRITICAL DIMENSIONS

(DO NOT SCALE)

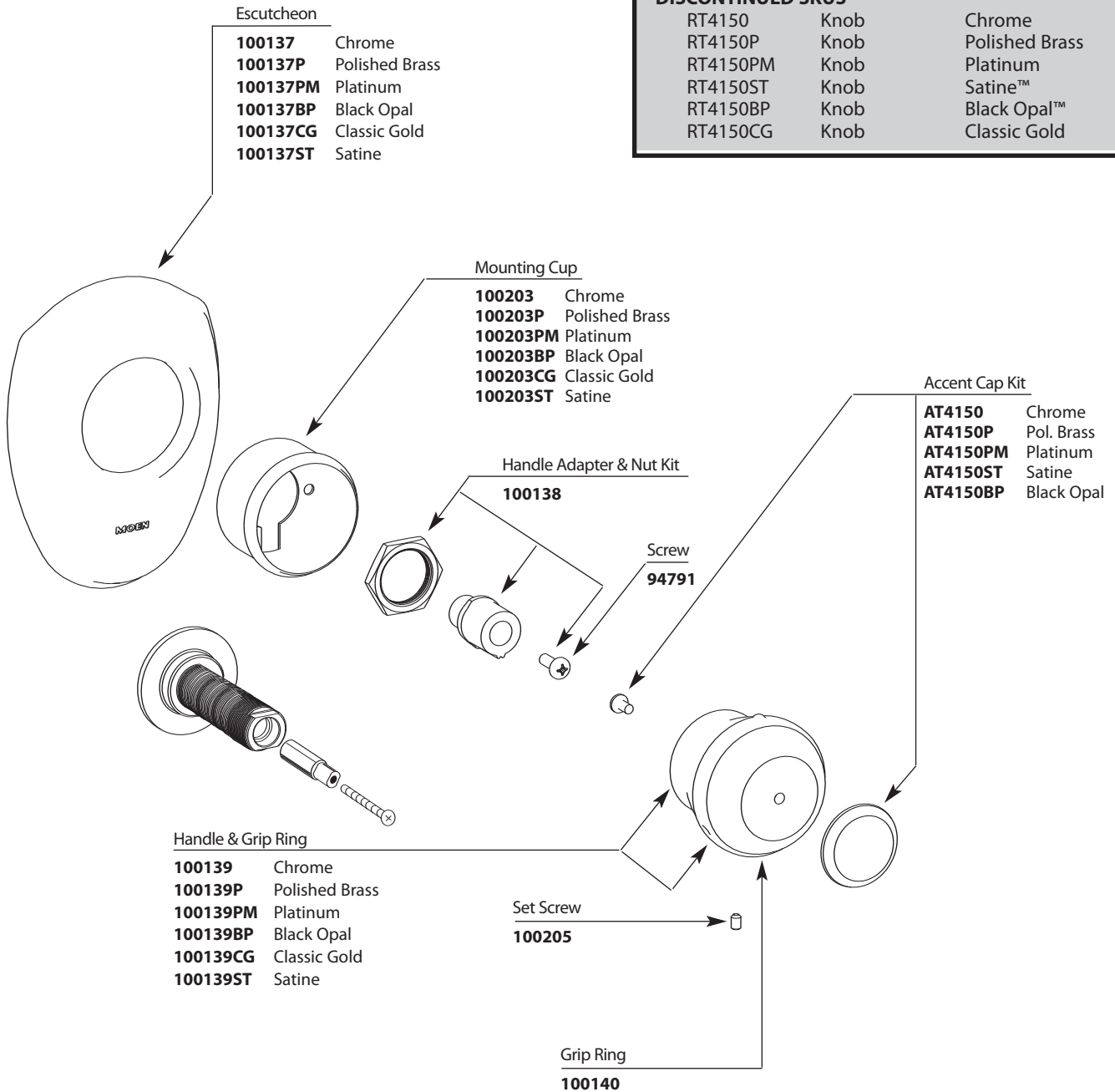


Buy it for looks. Buy it for life.®

■ Order by Part Number

Illustrated Parts

MONTICELLO® 5-Function Transfer Valve Trim		
MODEL	HANDLE	FINISH
T4150	Knob	Chrome
T4150P	Knob	Polished Brass
T4150PM	Knob	Platinum
T4150ST	Knob	Satine™
DISCONTINUED SKUS		
RT4150	Knob	Chrome
RT4150P	Knob	Polished Brass
RT4150PM	Knob	Platinum
RT4150ST	Knob	Satine™
RT4150BP	Knob	Black Opal™
RT4150CG	Knob	Classic Gold



DESCRIPTION

- Metallic spray face and shell
- Brass swivel ball assembly
- Available in chrome plated, LifeShine® Polished Brass, Satine™, Black Opal, Classic Gold™, Nickel, Platinum or Glacier finish

OPERATION

- Single spray function

FLOW

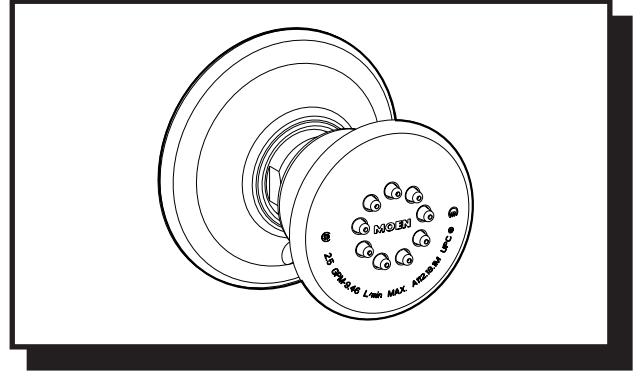
- Designed to deliver 2.5 gpm max (9.5 L/min) at 80 psi

STANDARDS

- Designed and manufactured to comply with the requirements of: CSA B125 and ASME A112.18.1M and all requirements referenced therein

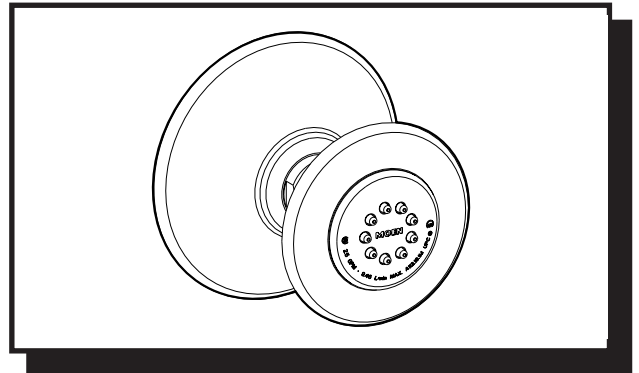
WARRANTY

- Warranted for one year against material or manufacturing defects



Small Single Function Body Spray

Models: A499, A499P, A499W, A499PM, A499ST, A499BP, A499CG, A499NL

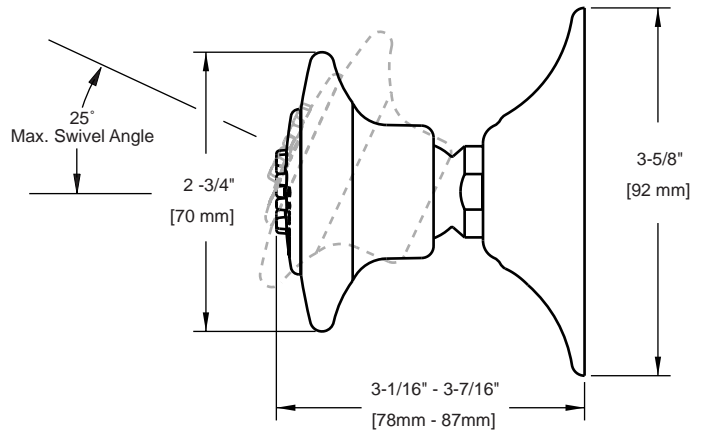
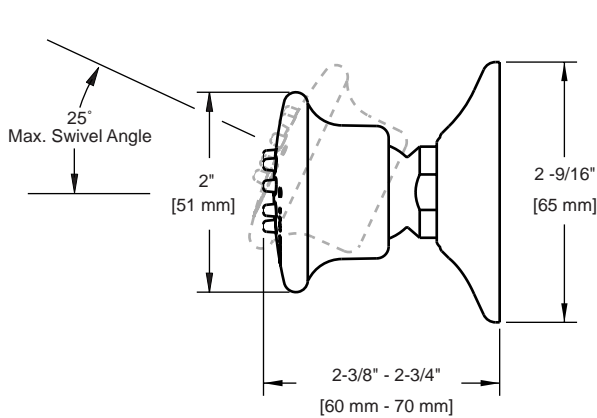


Large Single Function Body Spray

Models: A500, A500P, A500W, A500PM, A500ST, A500BP, A500CG, A500NL

A499 Series

A500 Series



CRITICAL DIMENSIONS

(DO NOT SCALE)

DESCRIPTION

- Metal construction with Chrome plating or decorative antique brass, chrome/LifeShine® polished brass, LifeShine® polished brass or glacier finishes
- Fixed mount shower head, arm and flange
- Nonmetallic spray face
- Brass shell and ball assembly

OPERATION

- Adjustable spray - rotate side lever to select coarse to fine spray

FLOW

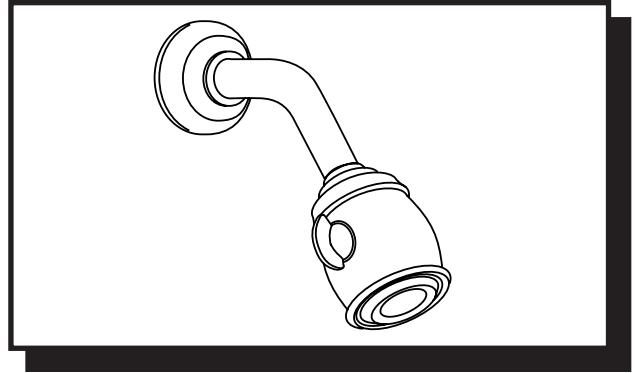
- Designed to deliver 2.5 gpm (9.5 L/min) max at 60 psi

STANDARDS

- Designed and manufactured to comply with the requirements of: CSA B125 and ASME A112.18.1M and all requirements referenced therein

WARRANTY

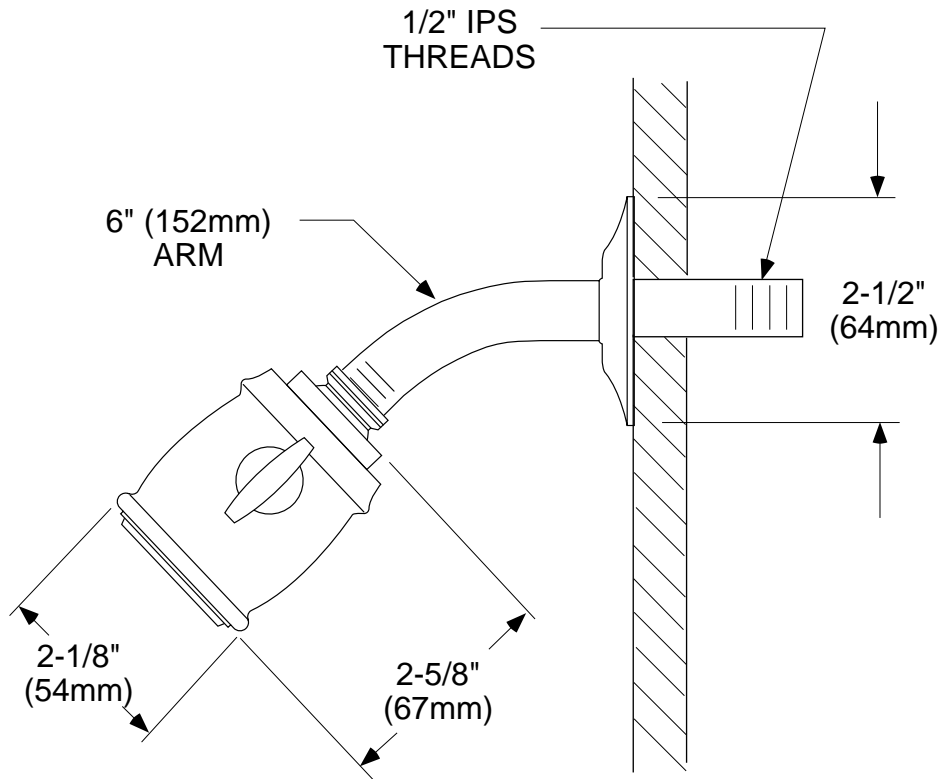
- Lifetime limited warranty against leaks, drips and finish defects to the original consumer purchaser
- 5 year warranty if used in commercial installations



MOENFLO® 40
Head, Arm and Flange

**Models: 3941, 3941A, 3941CP, 3941P,
*3941S, 3941W**

*** Discontinued 5/31/02**



CRITICAL DIMENSIONS

(DO NOT SCALE)

DESCRIPTION

- Handheld shower (non-metallic)
- 69" double interlock spiral hose (metal)
- Vacuum breaker
- 30" slide bar with push button height selection
- Available in Chrome, Chrome/LifeShine® Pol. Brass, Glacier, LifeShine® Polished Brass, Platinum, Satine™, Black Opal™, Classic Gold, or Nickel finishes

OPERATION

- 3-Function massage, fine and full: rotate outer ring to select

FLOW

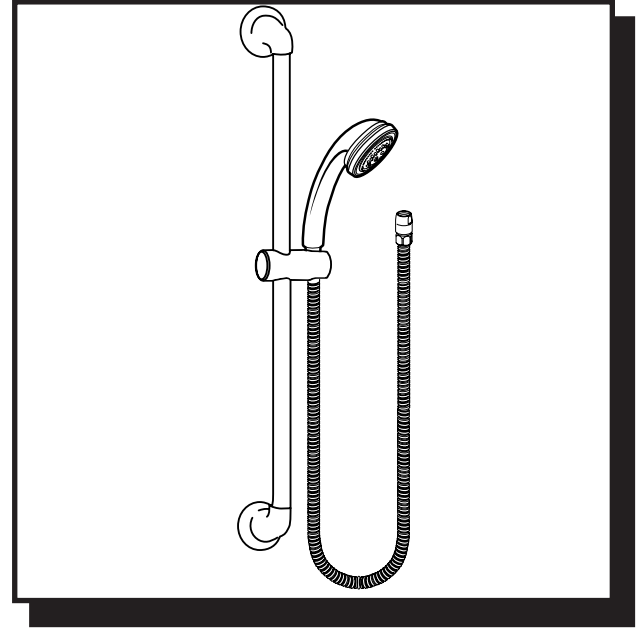
- Designed to deliver 2.5 gpm (9.5 L/min) at 60 psi

STANDARDS

- Designed and manufactured to comply with the applicable requirements of: CSA B-125 and ASME A112.18.1M and ASSE 1014 and all applicable specifications referenced therein

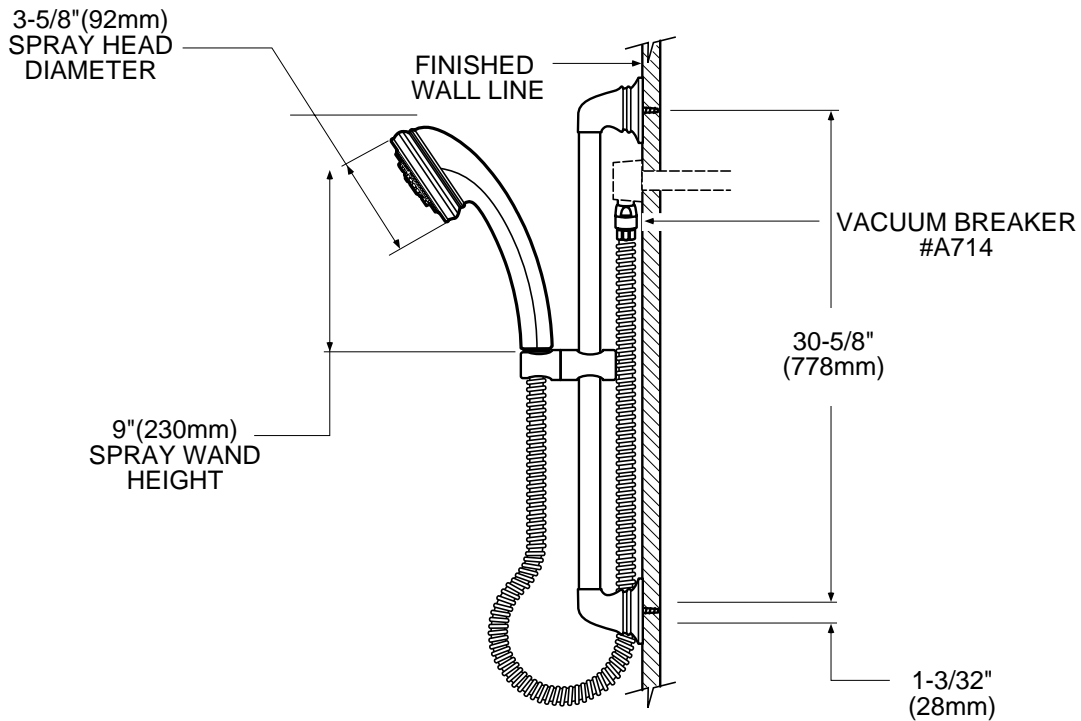
WARRANTY

- Warranted for one year against material or manufacturing defects



3-Function Massaging Handshower

Models: 3847, 3847CP, 3847W, 3847P,
3847PM, 3847ST, 3847BP,
3847CG, 3847NL



CRITICAL DIMENSIONS

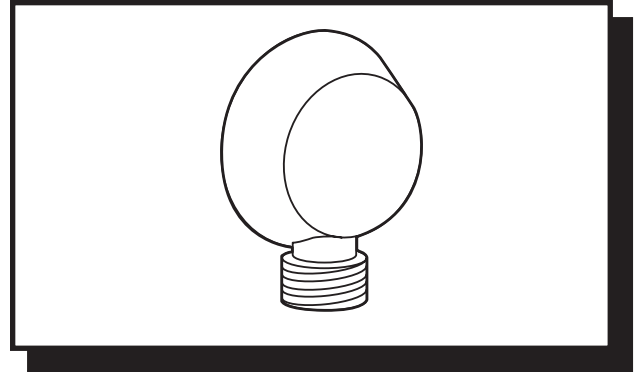
(DO NOT SCALE)

DESCRIPTION

- Metal construction with a chrome plated, polished brass, or glacier finish

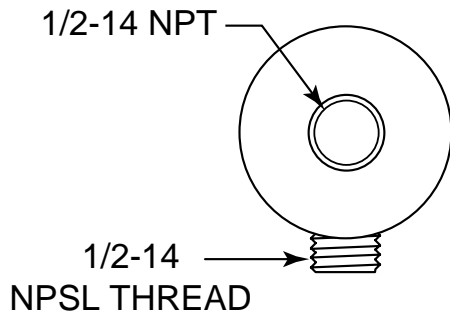
WARRANTY

- Warranted for one year against material or manufacturing defects

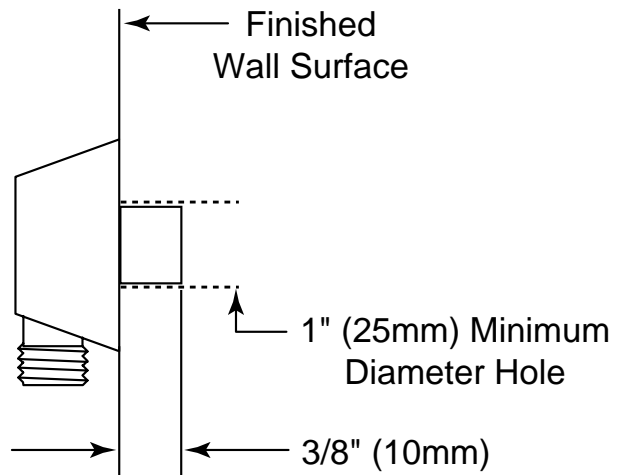


DROP ELL

Model A-725, A-725P and A-725W



BACK VIEW



SIDE VIEW

CRITICAL DIMENSIONS

(DO NOT SCALE)