



Buy it for looks. Buy it for life.®

# Specifications

## FAUCET DESCRIPTION

- Metal construction various finishes identified by suffix
- Includes showerhead, arm, flange and diverter spout

## OPERATION

- Lever style handle with temperature indicator on the escutcheon, pull-on/push-off operation
- Temperature operates through an 180° arc of handle travel (full cold to full hot)
- Adjustable temperature limit stop to control maximum hot water temperature
- Pressure balancing mechanism maintains selected discharge temperature to  $\pm 2^\circ$

## FLOW

- Showerhead limited to 2.5 gpm (9.5 L/min)

## CARTRIDGE

- 1225® cartridge design
- Nonmetallic/nonferrous and stainless steel materials
- Accommodates back to back installations

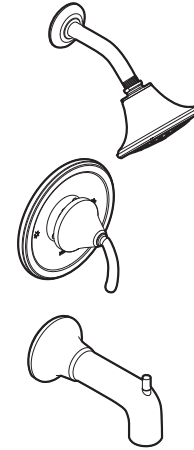
## STANDARDS

- Third party certified to meet ASME A112.18.1/CSA B125.1 and all applicable requirements referenced therein

- **ADA** for lever handle

## WARRANTY

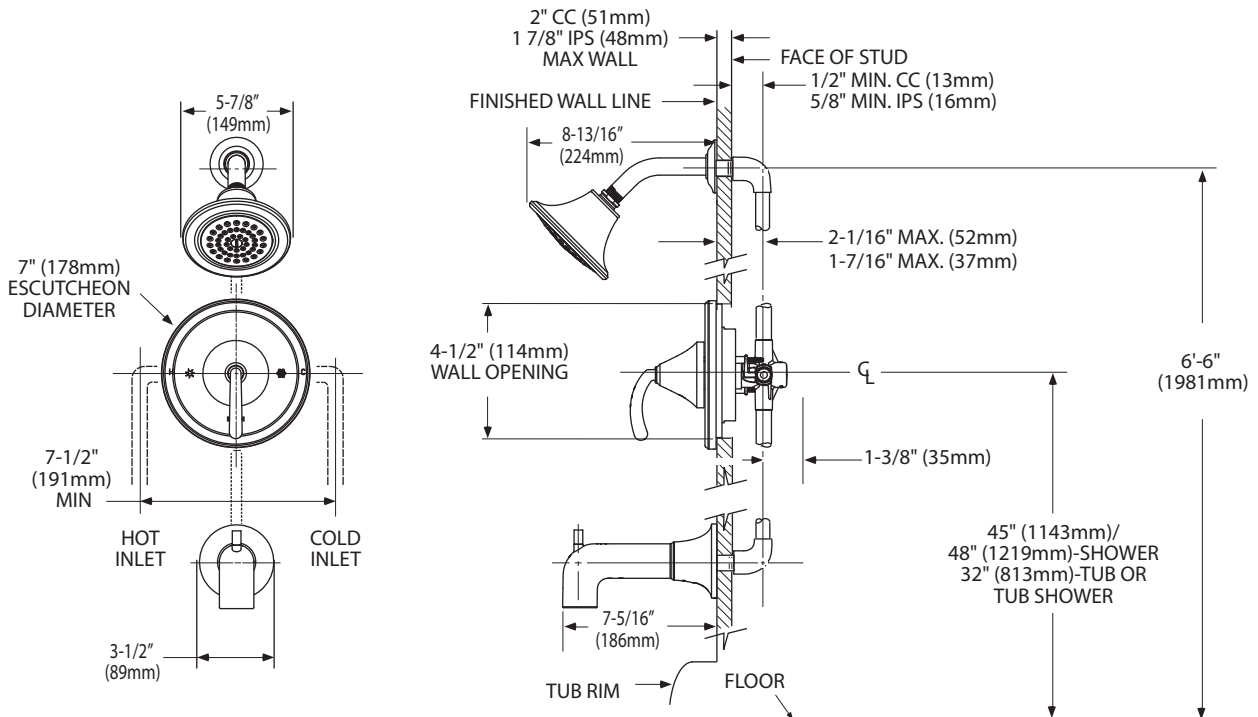
- Lifetime limited warranty against leaks, drips and finish defects to the original consumer purchaser
- 5 year warranty if used in commercial installations



## ICON™ MOENTROL® Single-Handle Tub/Shower (Trim Only)

**Models:** TS2154 series-valve trim only  
TS2155 series-shower trim only  
TS2156 series-tub/shower trim

**Valves:** 63100 series  
3500 series



## CRITICAL DIMENSIONS

(DO NOT SCALE)

FOR MORE INFORMATION CALL: 1-800-BUY-MOEN

www.moen.com