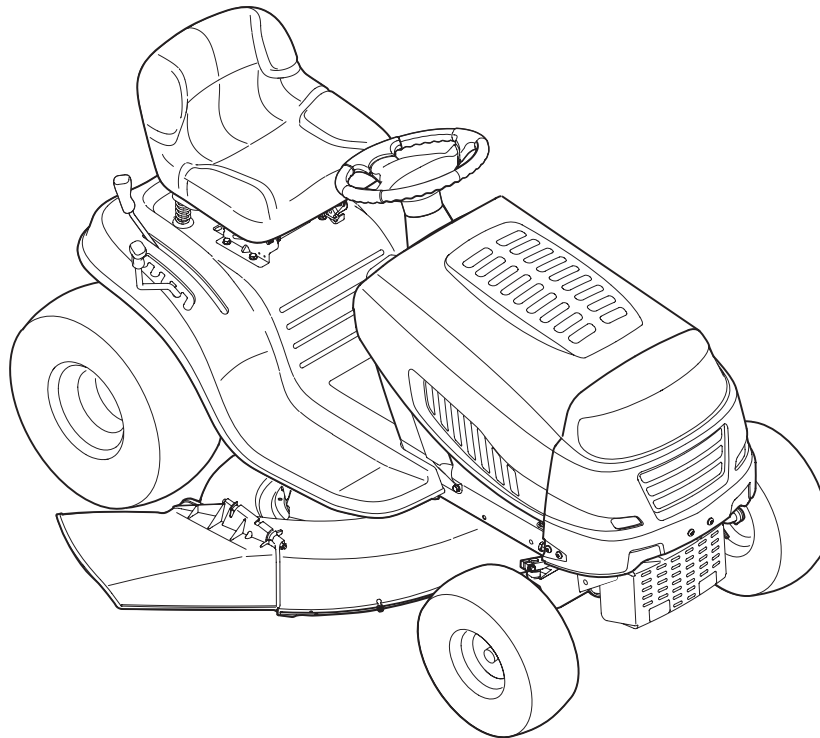




ILLUSTRATED PARTS MANUAL



Hydrostatic Lawn Tractor — Super Bronco

TROY-BILT LLC, P.O. BOX 361131 CLEVELAND, OHIO 44136-0019

To The Owner

Thank you for purchasing an MTD lawn tractor. It was carefully engineered to provide excellent performance when properly operated and maintained.

All information in this manual is relative to the most recent product information available at the time of printing. Please be aware that this Illustrated Part's Manual may cover a range of product specifications for various models.

Components listed and/or illustrated in this manual may not be applicable to all models. We reserve the right to change product specifications, designs and equipment without notice and without incurring obligation.

Throughout this manual, all references to *right* (RH) and *left* (LH) are observed from the operating position.

Table of Contents

Axle, Front	8	Hood	4
Battery	6	Deck Lift Handle/Linkage	6
Head Lamps	4	Muffler	16
Mower Deck, 42-inch	14	PTO Lever	6
Pedal Controls	12	Seat	10
Dash Panel	4	Steering Wheel	8
Drive System	12	Switches, Interlock	6
Electrical Schematic	17	Throttle Control	4
Engine Accessories	16	Transmission	12
Engine Model 4P90HU	18-29	Wheels, Front	8
Fender	10	Wheels, Rear	12
Frame	6	Wiring Harness Schematic	17
Fuel Tank	4		

Record Product Information

To ease in ordering replacement parts, please locate the model plate on the equipment and record the information in the provided area to the right. You can locate the model plate by looking beneath the seat.

MODEL NUMBER

--	--	--	--	--	--	--	--	--	--	--	--

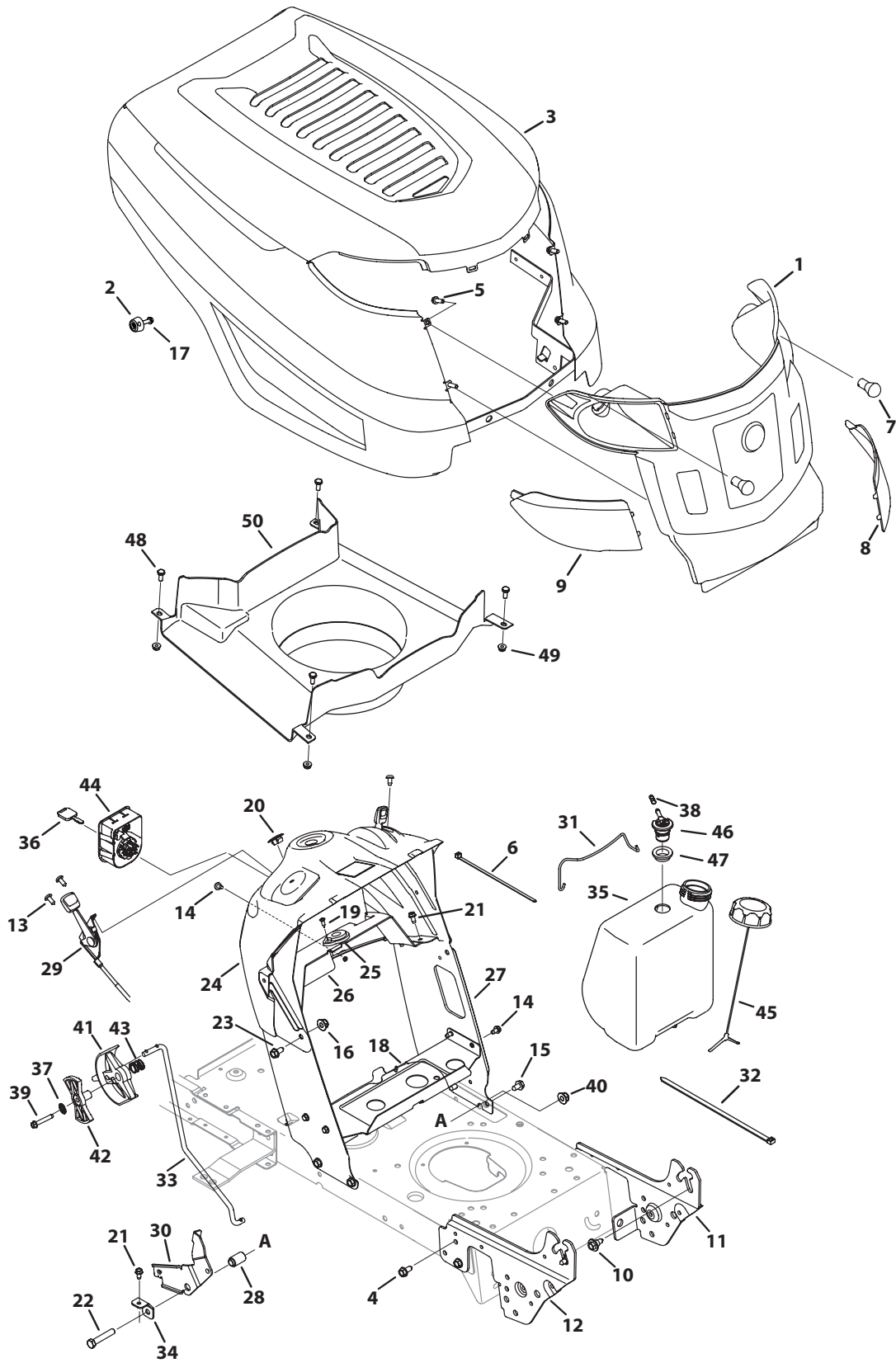
SERIAL NUMBER

--	--	--	--	--	--	--	--	--	--	--	--

0637	Black
0709	Dark Green (Bolens, Yard-Man)
0662	Oyster Gray (MTD Gold)
0638	Red (Yard Machines, Huskee, Troy-Bilt, MTD)
0691	Black Jack (MTD Gold, MasterCut)

0674	Yellow (Yard-Man)
0650	Metallic Red (White Outdoor)
0629	Silver Flake (MTD Platinum)
04038	Day Orange (Daedong)
04033	Flint Mica (Troy-Bilt XP)

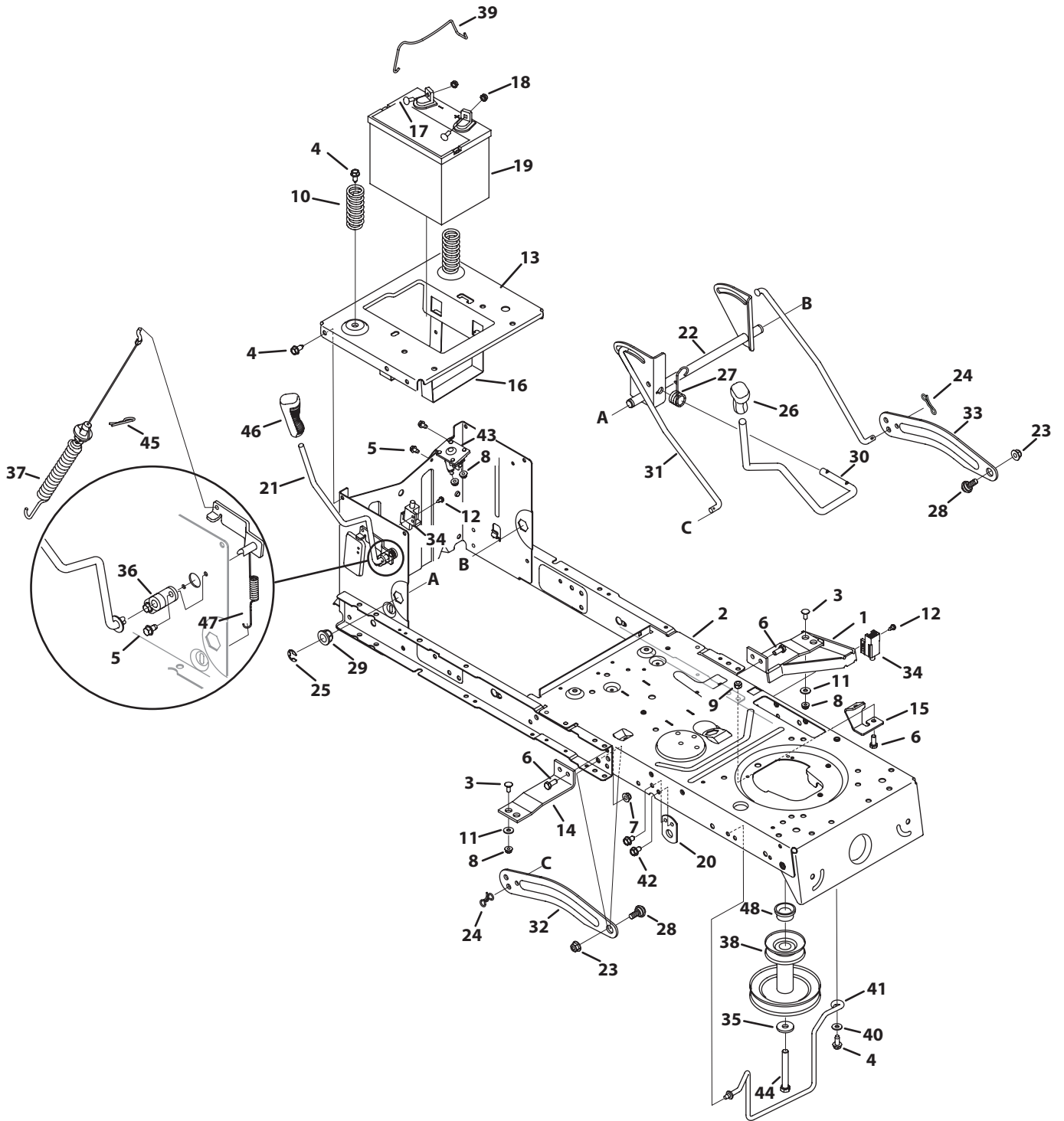
K Style Hood



K Style Hood

Ref. No.	Part No.	Description	Ref. No.	Part No.	Description
1	631-04272	Grill Assembly, Troy-Bilt	27	783-06811	Dash, Lower
2	731-06404	K-Style Bumper	28	750-04465B	Flange Spacer, .390 x .671 x 1.095
3	683-04441A	Hood Assembly	29	746-04367	Throttle/Choke Cable
4	710-04484	Screw, 5/16-18 x .750	30	783-06991	Speed Latch - No RMC
5	710-0895	Screw, 1/4-15 x .750	31	683-04448	Battery Assembly Rod
6	725-0157	Cable Tie	32	726-0230	Cable Tie
7	925-0963	Lamp	33	747-05398	Speed Control Rod
8	731-06095	Left Lens	34	783-06823	Speed Latch Tab
9	731-06096	Right Lens	35	951-04304	1.36 Gallon Fuel Tank
10	738-04091A	Shoulder Screw, 5/16-18 x .43 x .29	36	625-05002	Key, Assembly
11	783-05327B	Left Support Pivot Bracket	37	736-3006	Lock Washer, 1/4
12	783-05328A	Right Support Pivot Bracket	38	751-12089-28	Hose Vent, 3/16 EPA
13	710-04483	Screw, 1/4-20 x .500	39	710-0778	Hex Washer Screw, 1/4-20 x 1.50
14	710-05070	Screw, 1/4-20 x .500	40	712-04065	Flangelock Nut, 3/8-16
15	710-0604A	Screw, 5/16-18 x .625	41	731-07885B	Shift Lever
16	712-04063	Flangelock Nut, 5/16-18	42	731-07966A	Index Control
17	710-05281	Screw, #12-16 x 1.25	43	732-04877	Compr. Spring, .72 OD x .78
18	783-07083	Gas Tank Support Bracket	44	925-04659	3 Position Key Switch
19	910-0224	Screw, #10-16 x .500	45	951-12179A	Fuel Cap, 2.25"
20	731-05265	Choke Plug		951-12426	Fuel Cap, 2.25" EPA
21	710-1652	Tap Screw, 1/4-20, 0.625	46	751-12118	Rollover Valve
22	710-3144	Hex Screw, 3/8-16 x 2.0	47	735-04081	Rubber Grommet, 23 x 3.55
23	710-3025	Hex Screw, 5/16-18 x .625	48	710-0751	Hex Cap Screw, 1/4-20 x .62 GR5
24	931-08054	Dash, Upper	49	712-04064	Flangelock Nut, 1/4-20
25	741-0587	Bearing, .628 ID x 1.36	50	931-09328	Plenum
26	783-06785A	Bracket, Steering Support	—	925-04567G	Harness, LT-5, NRMC, Dual

Frame and PTO Lift

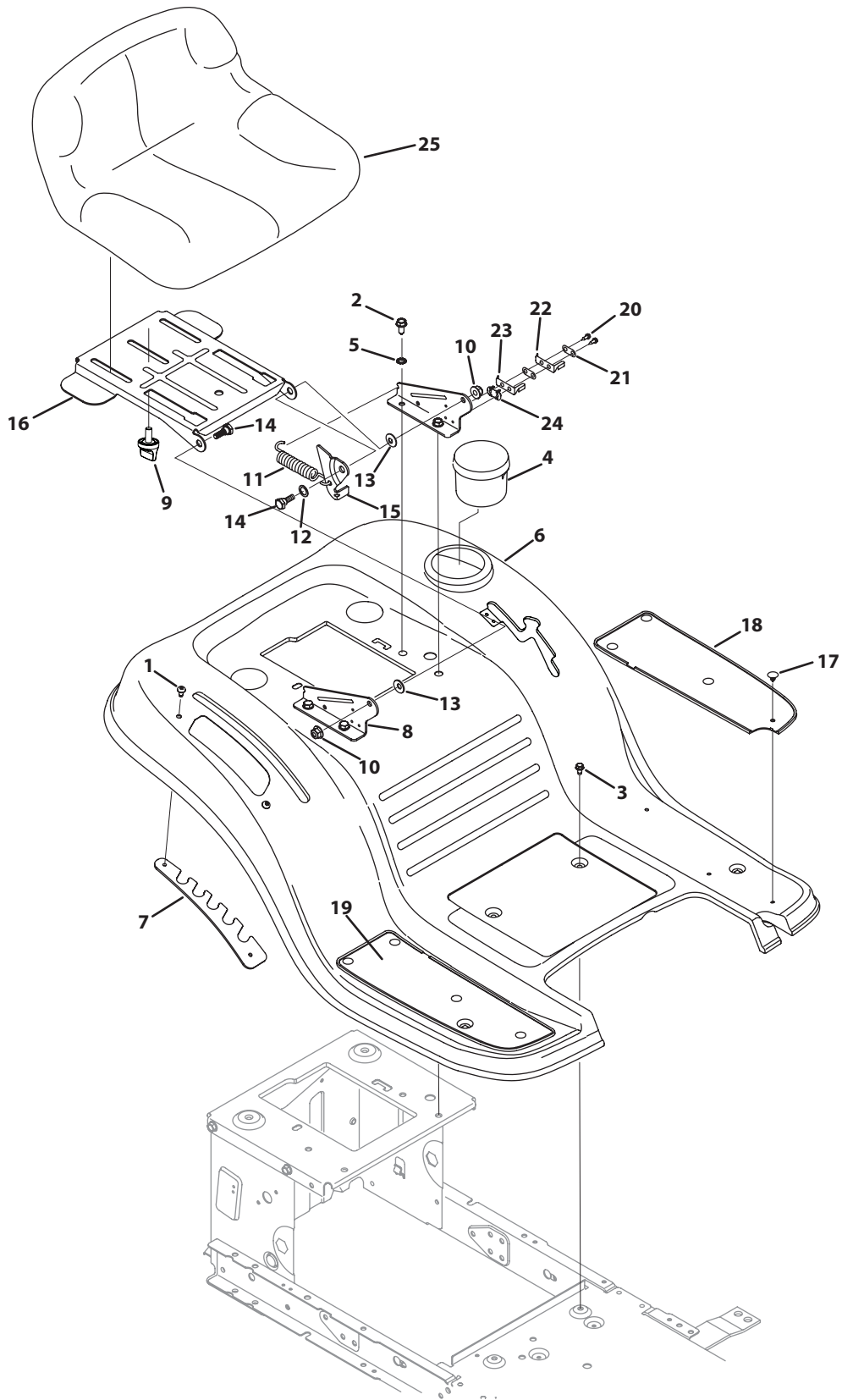


Frame and PTO Lift

Ref. No.	Part No.	Description	Ref. No.	Part No.	Description
1	683-04195	Support Bracket	25	716-0106A	E Ring
2	683-04649A	Frame Assembly	26	720-0311	Handle Grip, 1/2
3	710-0134	Screw Carriage, 1/4-20 x .62	27	732-04225	Torsion Spring
4	710-04484	Screw 5/16-18 x .750	28	738-04130	Shoulder Bolt, 3/8-16 x .625 x .175
5	710-0599	Screw, 1/4-20 x .500	29	941-0225	Hex Flange Bearing
6	710-3008	Hex Screw, 5/16-18 x .75	30	747-04282	Deck Lift Handle
7	712-04063	Flangelock Nut, 5/16-18	31	747-04393	Lift Rod
8	712-04064	Flangelock Nut, 1/4-20	32	783-04494C	42" Lift Arm, RH
9	912-0429	Hexlock Nut, 5/16-18	33	783-04711C	42" Lift Arm, LH
10	732-04035	Compression Spacer, 1.28 x 3.125	34	725-04363	Switch Interlock
11	736-0173	Flat Washer, .28 x .74 x .063	35	736-0322	Flat Washer, .450 x 1.250 x .164
12	738-04237A	Shoulder Spacer, 10-32 x .500	36	741-04119A	PTO Bearing
13	783-04548D	Seat Frame Bracket	37	946-04173E	Deck Engage Cable
14	783-04637	Running Board Bracket	38	956-04067A	Engine Pulley
15	783-04753	Support Frame Bracket	39	683-04448	Battery Hold Down Rod
16	783-04869A	Battery Bracket	40	936-0300	Flat Washer, .406 x .875 x .059
17	710-04666	Hex Head Flange, 1/4-20 x .75	41	747-04857	42" Belt Keeper
18	712-0271	Sems Nut, 1/4-20	42	710-0604A	Screw, 5/16-18.0 x .625
19	925-1707D	230 CCA Battery	43	725-04439	12V Solenoid
20	783-04536B	Support Bracket	44	710-3157A	Hex Screw, 7/16-20 x 3.25
21	647-04096A	PTO Handle Assembly	45	914-0145	Click Pin, .092 x 1.64
22	683-04155A	Lift Assembly, 42"	46	720-04049A	Handle Grip, 3/8
23	712-04065	Flangelock Nut, 3/8-16	47	732-04276A	PTO Spring Extension
24	714-04040	Bow-tie Cotter Pin	48	750-0956	Spacer, 1.010 x 1.400 x .825

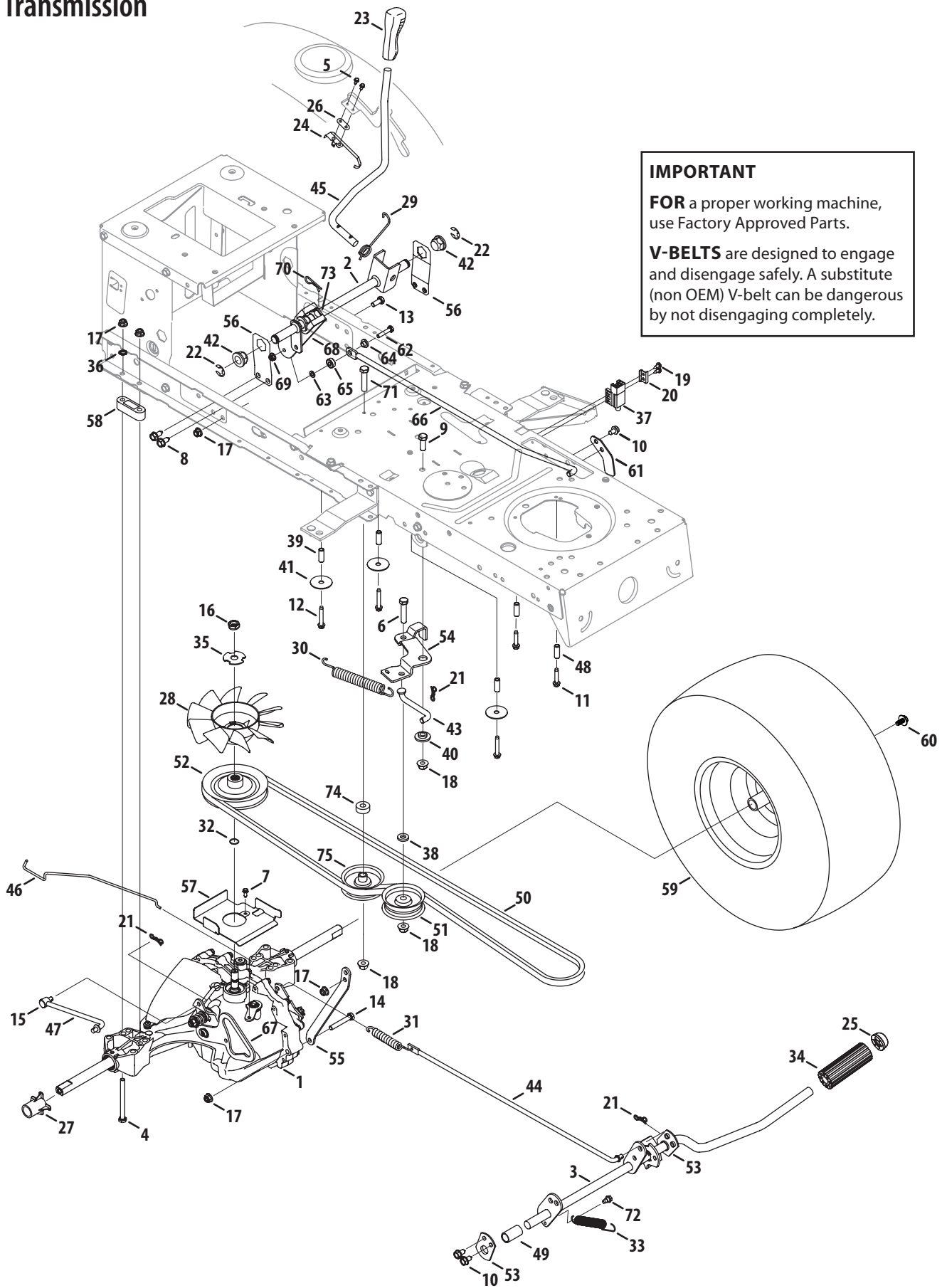
Ref. No.	Part No.	Description
1	617-04094	Front Steering Gear Assembly
2	710-0514	Hex Screw, 3/8-16 x 1.00
3	710-0643	Hex Screw, 5/16-18 x 1.00, Lock
4	710-1309	Machine Screw, 5/16-18 x .750
5	710-3180	Hex Screw, 5/16-18 x 1.75
6	912-0240	Jam Nut, 7/16-20
7	912-0214	Jamlock Nut, 3/8-24
8	712-04063	Flangelock Nut, 5/16-18
9	938-04013	42" & 46" Front RH Axle
10	923-0448A	Ball Joint, 7/16-20
11	736-0242	Bell Washer, .340 x .872 x .060
12	938-04014A	42" & 46" Front LH Axle
13	738-04141	Shoulder Bolt, 5/16-18 x .435 x .350
14	738-0919A	Steering Shaft, 5/8 x 22.08
15	941-04124	Flange Bearing, 5/8
16	934-0255	Valve, tubeless Air
17	747-05385	Steering Link
18	948-0389	Cap, 1.25 x .16
19	748-04065	Steering Block
20	748-04068	Spacer, .71 x .125 x .56
21	734-1731	Tire, 15 X 6 X 6 Sq Shoulder
22	738-04162C	Shoulder Spacer, .884 x .190
23	736-04228A	Flat Washer, .781 x 1.590
24	714-0162	Cotter Pin, 5/32 x 1.25
25	683-0128B	Pivot Axle
26	710-04484	Screw, 5/16-18 x .750
27	712-04065	Flangelock Nut, 3/8-16
28	914-0474	Cotter Pin, .125 x .75
29	934-04081-0662	Rim Asm, 6.0x4.5
30	634-04086-0911	Wheel Assembly
31	631-04028	Steering Wheel
32	931-0484A	Hub Cap
33	731-04681	Cap, Troy-Bilt
34	738-04128	Shoulder Bolt, 3/8-16 x .500 x 2.38
35	747-04299A	Fixed Rod
36	783-05326B	Pivot Bar Bracket
37	726-0341	Push Cap, 3/4
38	731-04057A	Standard Axle Cap
39	741-0660A	Flange Bearing, .760 x .941 x 1.0

Seat and Fender



Ref. No.	Part No.	Description
1	710-05070	Screw, 1/4-20 x .500
2	710-04484	Screw, 5/16-18 x .750
3	710-0599	Screw Pan Torx Head, 1/4-20 x .500
4	731-04591A	Cup Holder
5	736-0607	Loack Washer, 5/16
6	783-04593E	Fender
7	783-04843	Lift Adjuster Bracket
8	783-1489D	Seat Mount Bracket
9	720-04061	Knob
10	712-04063	Flangelock Nut, 5/16-18
11	732-1184	Extension Spring
12	936-0108	Flat Washer, .510x .750 x .033
13	736-0242	Bell Washer, .340 x .872 x .060
14	938-0296	Shoulder Screw, 5/16-18 x .437 x .268
15	783-0209D	Lift Seat Bracket
16	783-04081D	Pivot Seat Manual Adjust Bracket
17	726-3046	Ratchet Clip, .250 x .500
18	735-04047	Foot Pad, LH
19	735-04048	Foot Pad, RH
20	710-0227	Screw, 8-18 x .500
21	726-0279	Insulator Plate
22	925-1303	Outer Seat SPring
23	725-1439	Inner Seat Spring
24	726-0278	Insulator Boss Plate
25	757-04083A	Med. Back Seat, Black

Transmission

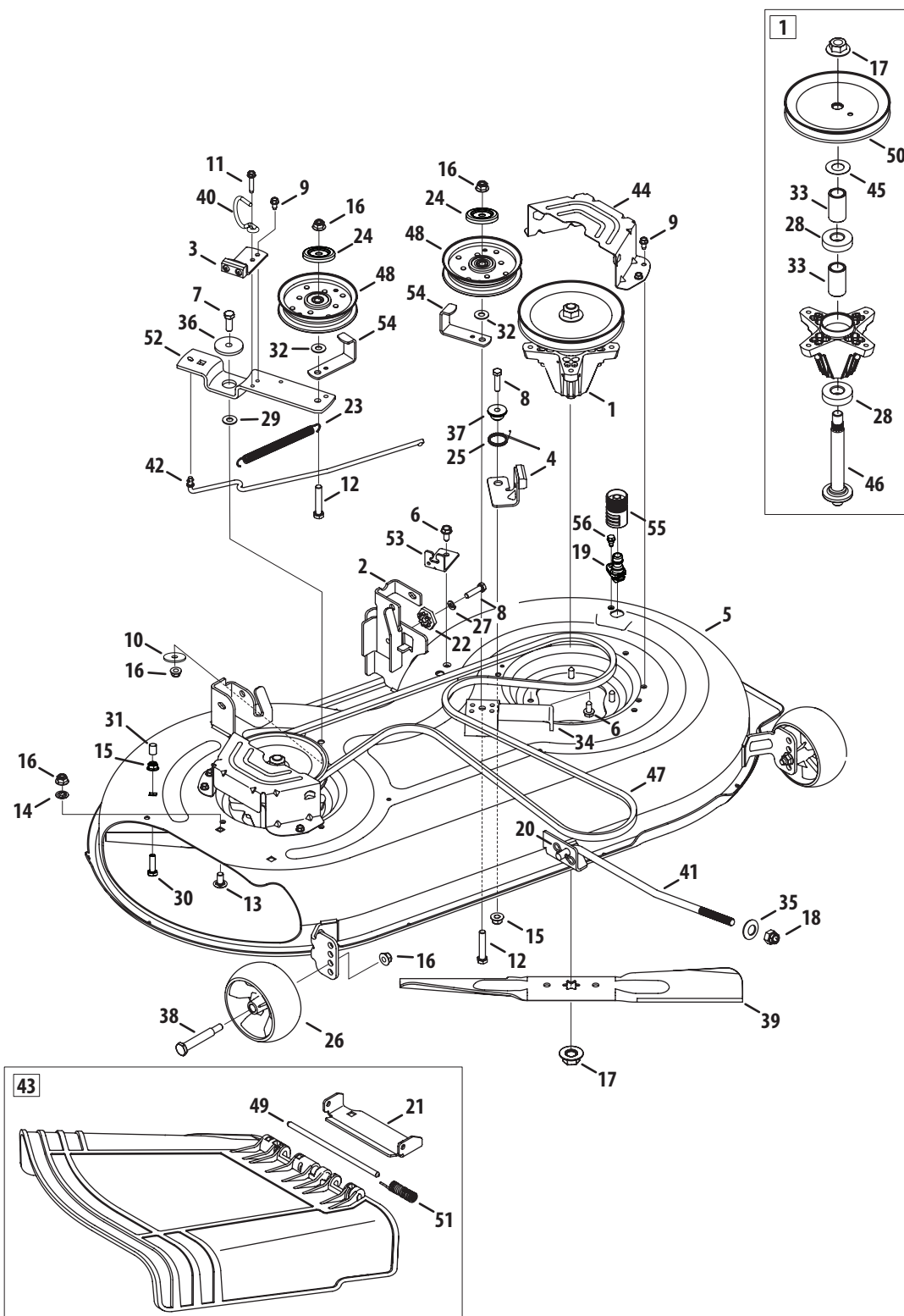


IMPORTANT
FOR a proper working machine,
use Factory Approved Parts.
V-BELTS are designed to engage
and disengage safely. A substitute
(non OEM) V-belt can be dangerous
by not disengaging completely.

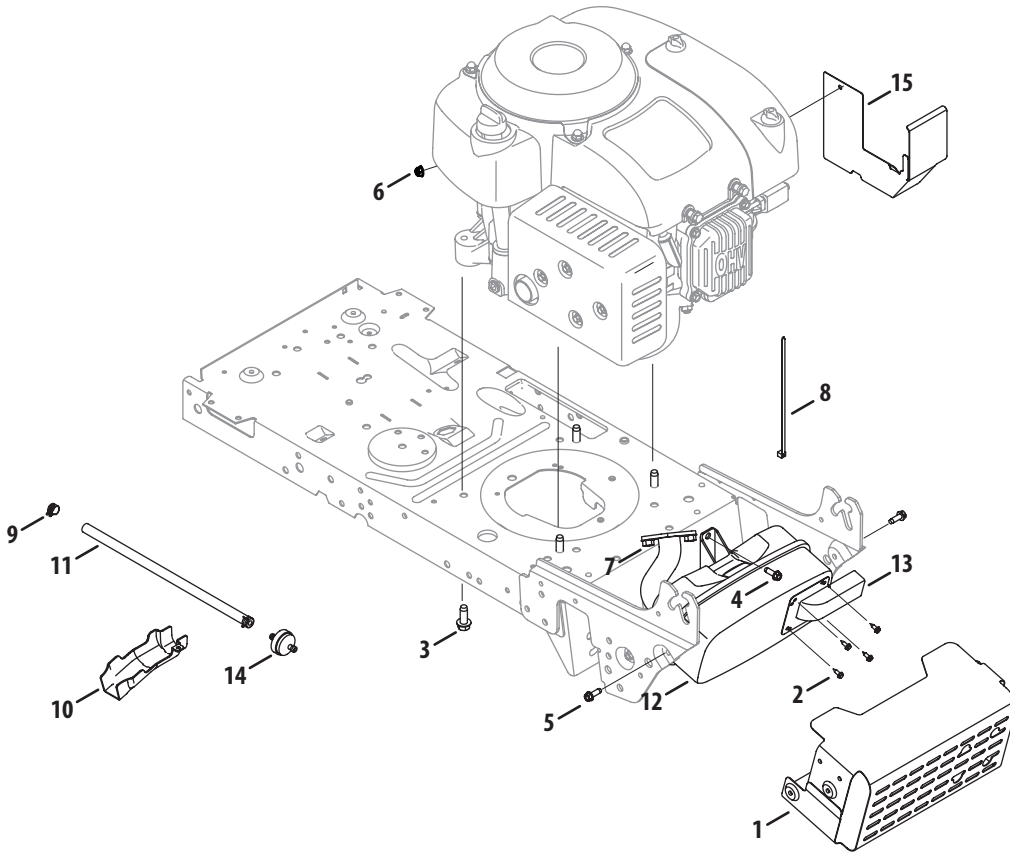
Transmission

Ref. No.	Part No.	Description	Ref. No.	Part No.	Description
1	918-04892B	Hydro Transmission	39	750-04456	Spacer, .260 x .372 x 1.420
2	647-04200A	Hydro Handle Control Assembly	40	738-04430	Shldr Spacer, 1.375 ID X .380 x 1.54
3	647-04261A	Hydro Pedal Assembly	41	736-0430	Flat Washer, .350 x 1.59 x .062
4	710-1266	Hex Screw, 5/16-18 x 3.5	42	941-0225	Hex Flange Bearing
5	710-0227	Screw, #8-18:0.500	43	747-05603	Declutching Rod
6	710-0347	Hex Screw, 3/8-16:1.75	44	747-05242	Brake Rod
7	910-0224	Screw, #10-16:0.500	45	747-04296A	Hydro Control Handle
8	710-04484	Screw, 5/16-18:.750	46	747-05245	Hydro Bypass Rod
9	710-0514	Hex Screw, 3/8-16:1.00	47	747-04407A	Hydro Control Rod
10	710-0604A	Screw, 5/16-18:0.625	48	750-0566A	Spacer, .260 x .375 x 1.030 LG
11	710-0809	Screw, 1/4-20:1.250	49	750-05593	Spacer, .640 ID X .76 OD X 1.60
12	710-1026	Screw, 1/4-20 x 1.75	50	954-04252	V Belt, 4L SEC X 84.17
13	710-3008	Hex Screw, 5/16-18:.75	51	756-04224	Flat Idler Pulley 2.75 OD
14	710-3103	Screw, 5/16-18 x 2.00	52	756-04308	Input Pulley
15	711-04448	Ferrule, 5/16-24 X .312 DIA.	53	783-04536B	Support Pedal Bracket
16	912-0346	Jamlock Nut, 1/2-20	54	783-04570B	Idler Arm
17	712-04063	Flangelock Nut, 5/16-18	55	783-06551	Torque Bracket
18	712-04065	Flangelock Nut, 3/8-16	56	783-04585A	Handle Bracket
19	728-04021	Rivet	57	783-06558	Belt Support Bracket
20	17962	Plate Switch	58	948-0334	Spacer, T-Axle
21	714-04040	Cotter Pin, Bow Tie	59	634-0104-0911	Wheel, 20 x 8 x 8 - Grey
22	716-0106A	E Rign, .625 DIA	60	710-05339	Screw, 5/16-24 x .750
23	720-0311	Handle Grip	61	783-06807A	Stop Pedal Plate
24	725-04249	Hydro Spring Switch	62	710-0106	Hex Screw, 1/4-20 x 1.25
25	726-0214	Push Cap, 5/8	63	936-0142	Flat Washer, .281 x .500 x .063
26	926-0320	Insulator Plate Nut	64	738-04483	Shoulder Spacer, .375 x .625 x .20
27	731-08237	Sleeve, .765 ID X 2.11 LG	65	741-04280	Ball Bearing, .25 x .6875 x .25
28	731-06098	Hydro Fan	66	747-05598	Hydro Rod, RTN
29	732-04225	Torsion Spring	67	783-06750A	Cam Bracket, RTN
30	732-04229	Extension Spring, .75 DIA. X 6.02	68	783-06756	Pivot Bracket, RTN
31	732-0716D	Extension Spring, .59 OD X 4.00 LG	69	712-04064	Nut, Flange Lock, 1/4-20, GrF
32	732-0729	Wire Ring	70	914-0145	Click Pin, .092 x 1.64 LG
33	732-04587	Extension Spring, .63 DIA X 4.95 LG	71	710-3144	Hex Screw, 3/8-16 x 2.00
34	735-0239	Foot Pad, 4.0	72	738-04278	Shoulder Screw, 1/4-20 x 0.50
35	736-04263	Lock Washer, TRANS HYDRO	73	741-3065B	Hex Flange Bearing, .628 ID
36	736-0607	Lock Washer, 5/16 EXT TOOTH	74	750-3119	Spacer, .406 ID x 1.00 OD x .38
37	925-04039	Switch Interlock	75	756-04325	V Pulley 3.06 OD
38	736-3010	Flat Washer, .407X.812X.135:HT	—	725-04990	Harness, Jmpr, Hydro

42" Deck

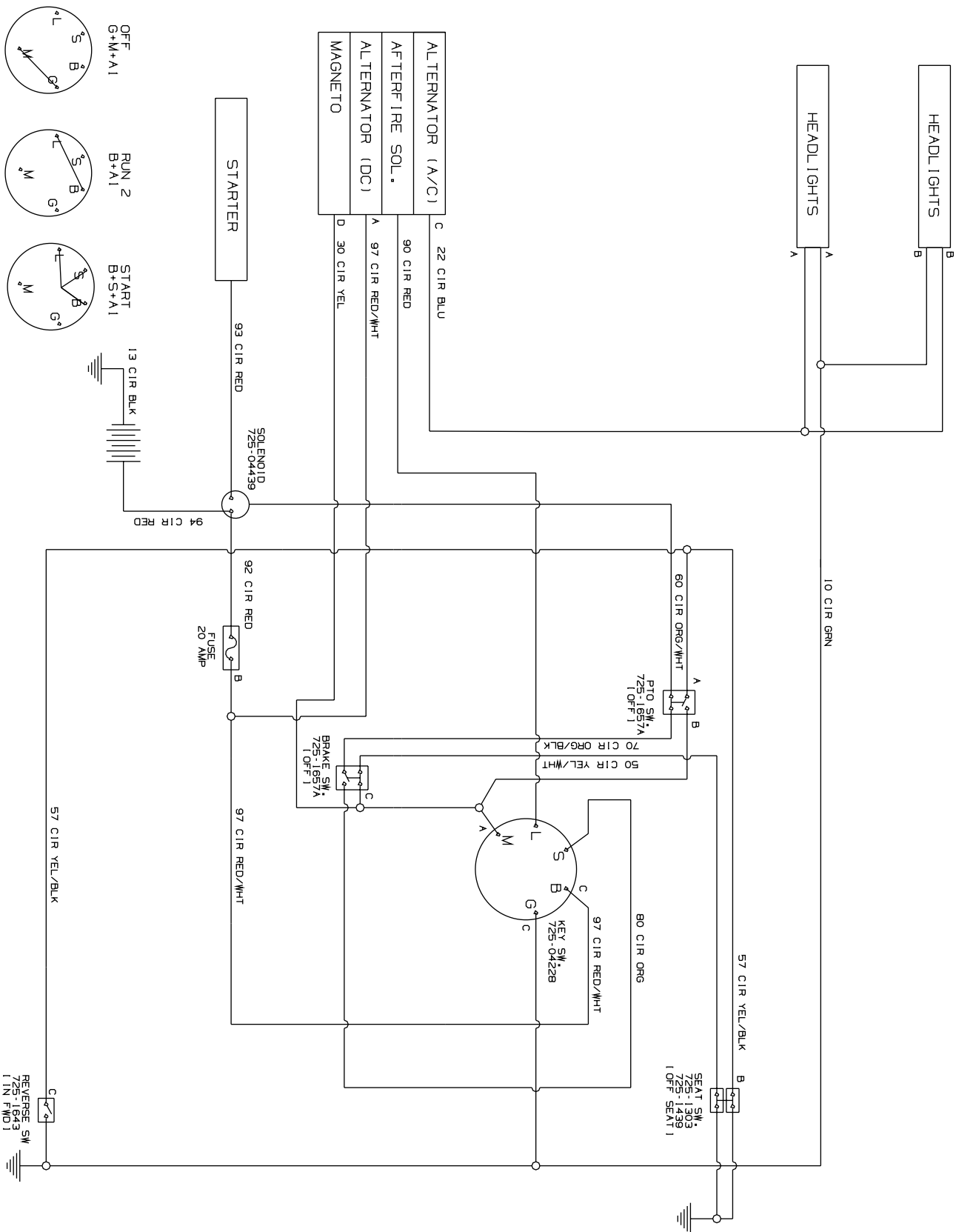


Ref.	Part Number	Description	Ref.	Part Number	Description
1.	918-04822A	Spindle Ass'y, Pulley, 6.3 Dia	29.	936-0344	Washer, Flat, .385 X 1.0 X .030
2.	683-0254B	Bracket Ass'y, Deck, Hanger LH	30.	710-0376	Hex Cap Screw, 5/16-18 x 1.00
3.	983-04511	Brake Ass'y, Deck, 42/46	31.	720-05010	Cap, .290 x .500
4.	983-04525	Brake Ass'y, Deck, 46"	32.	736-0262	Washer, Flat, .385 x .870 x .092
5.	983-04572A	Deck Ass'y, Offset, 42" W/O wheel	33.	750-04936	Spacer, .792 x 1.060 x 1.860
6.	710-04484	Screw, Self-tapping, 5/16-18, .750	34.	783-06643	Bracket, Support, Stationary Idler
7.	710-3005	Hex Screw, 3/8-16, 1.25, Gr5, Std	35.	748-04069	Deck Lift Pivot Cup
8.	710-0528	Hex Screw, 5/16-18, 1.25, Gr5, Std	36.	738-04162C	Spacer, Shoulder, .8840 x .190
9.	710-0599	Screw, Self-tapping, 1/4-20, 0.500	37.	748-04272	Shoulder Spacer
10.	936-3039	Flat Washer, .406 x 1.500 x .105	38.	938-3056	Bolt, Shoulder, .496 x 2.50, 3/8-16
11.	710-0642	Screw, Self-tapping, 1/4-20, .750	39.	942-04308	Blade, Cut, 21.23" 2-In-1, Econ
12.	710-3144	Hex Screw, 3/8-16, 2.00, Gr5, Std	40.	747-05323	Rod, Keepr, Belt 42 Idler
13.	710-3178	Bolt, Carriage, 3/8-16, 0.75, Gr1	41.	747-05141A	Rod, Lift, Deck, Frt, 12.7
14.	712-0229	Nut, Push, 3/8	42.	747-05105B	Rod, Control, Brake 42"
15.	712-04063	Nut, Flange Lock, 5/16-18, Grf	43.	631-04288	Chut Assembly, 42" Deck
16.	712-04065	Nut, Flange Lock, 3/8-16, Grf	44.	783-06424A	Deck Belt Cover, 42
17.	712-0417A	Nut, Flange, 5/8-18	45.	936-0351	Washer, Flat, .760 Idx1.50 OD
18.	712-04243	Nut, Lock, 1/2-13	46.	738-1186A	Shift, Spindle, 6.11.
19.	731-07487	Deck Wash Nozzle	47.	954-04060B	Belt, V Type, A Sec X 96.5
20.	714-04043	Bow-Tie Cotter Pin	48.	756-04129B	Pulley, Idler, 4.25" Dia
21.	783-06074A	Chute Bracket	49.	711-04847B	Pin, Hinge, Dia .3125 x 7.96
22.	917-04074	Gear, Deck, Adjustment	50.	956-1227	Pulley, Deck, 6.3 Dia
23.	932-0384	Spring, Extension, .62 Dia x 6.12	51.	732-04372	Spring, Torsion, .44 I.D. X 2.0
24.	783-07236	Pulley Cap	52.	783-05946	Pivot idler Bracket, 46
25.	732-04840	Spring, Torsion, .992 ID X 1.17 OD	53.	783-06243	Bracket, Cable, Deck Engage
26.	734-04155	Wheel, Deck, 5.0 Dia Ball	54.	783-06368	Bracket, Guard, Belt, 4.25 Pulley
27.	936-0119	Washer, Lock, 5/16, Regular Duty	55.	921-04041	Water Nozzle Adapter
28.	941-0919A	Bearing, Ball, .787id x 1.85 Odx.551	56.	738-04278	Shoulder Screw, 1/4-20 x 0.50

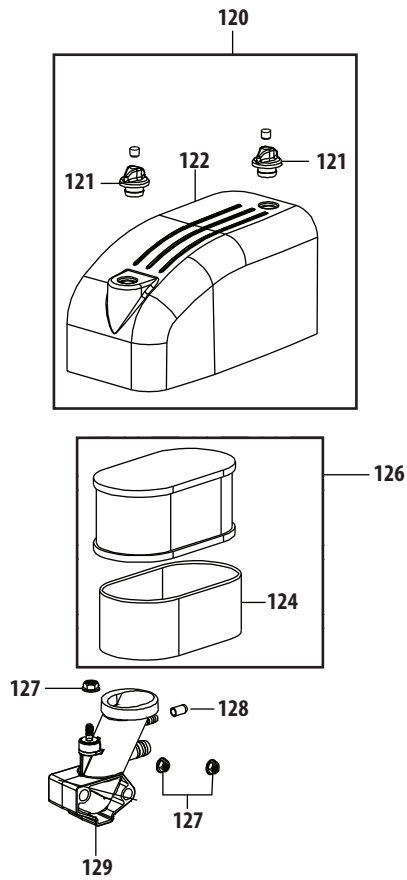


Ref. No.	Part No.	Description
1	683-04549	Muffler Shield Assembly with Weld
2	710-0227	Screw, 8-18 x .500
3	710-04683A	Screw, 3/8-16 x 1.0
4	710-0599	Screw, 1/4-20 x .500
5	710-0642	Screw, 1/4-20 x .750
6	712-04064	Flangelock Nut, 1/4-20
7	712-3086	Flange Nut, M8-1.25
8	725-0157	Cable Tie
9	726-0205	Clamp Hose, .490 diameter
10	731-05628	Oil Drain Sleeve
11	751-10349-28	Fuel Hose, Low Permeation
12	751-12836	Muffler
13	751-14284	Muffler Deflector
14	BS-298090S	Fuel Filter
15	783-08122	Deflector Bracket

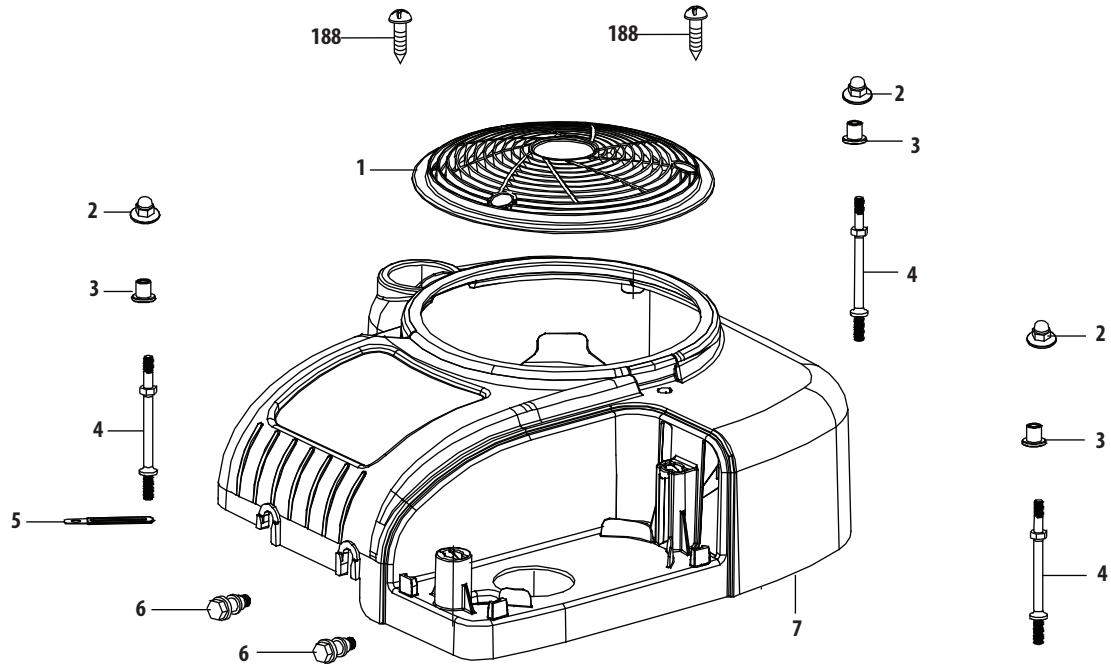
Wiring Harness Schematic - 725-04567G



4P90HU Air Intake



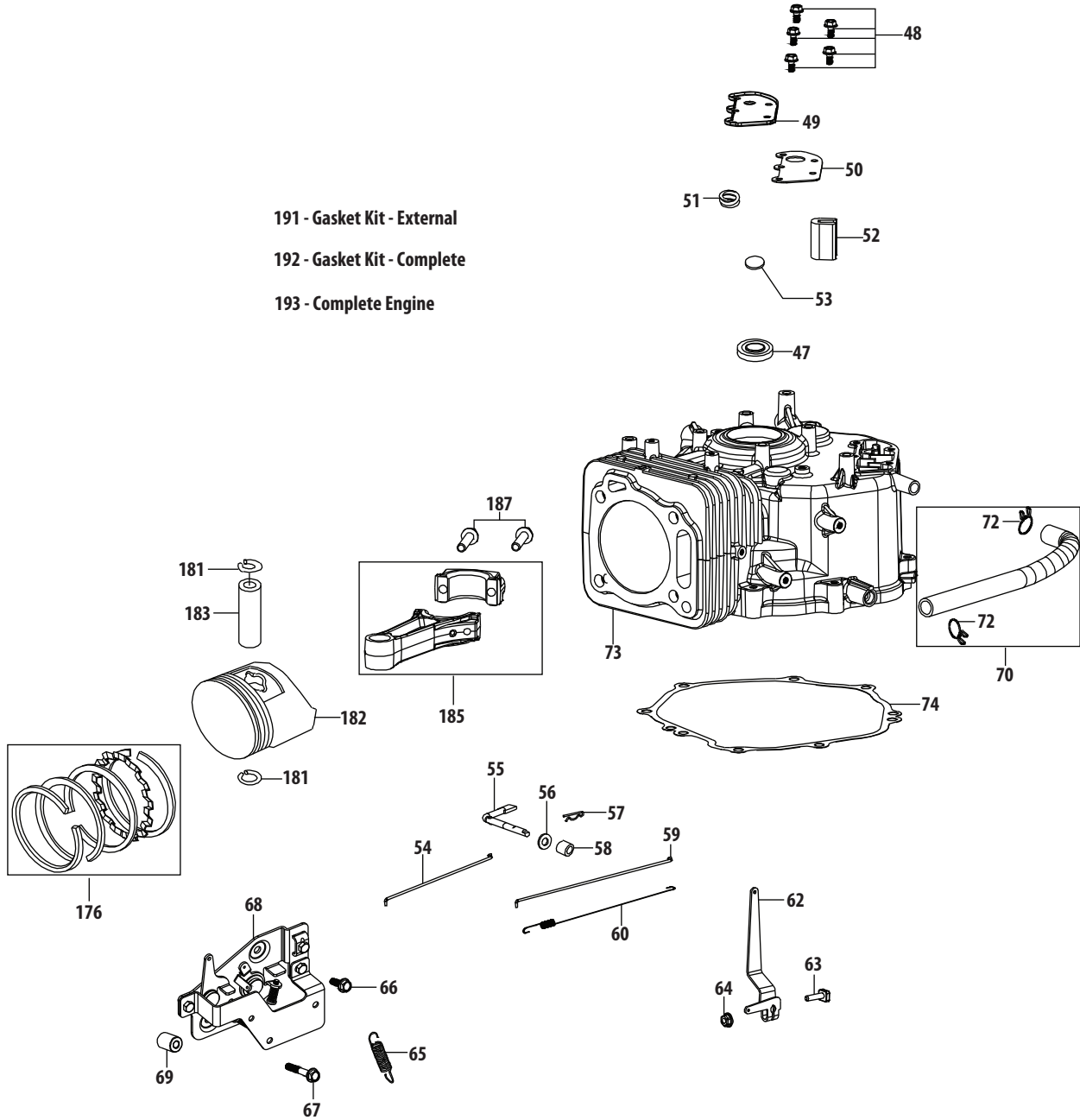
Ref.	Part Number	Description
120	951-14458	Air Filter Cover Assembly
121	951-14466	Air Filter Lock Nut
122	951-12255	Air Filter Cover
124	951-12256	Sponge Filter
126	951-12260	Air Filter Assembly
127	712-04212	Nut M6
128	951-12328	Rubber Cap
129	951-12257	Manifold
130	951-12258	Manifold Gasket



Ref.	Part Number	Description
1	951-12205	Debris Shield
2	712-04290	Nut
3	750-05320	Engine Shroud Spacer
4	951-14454	Starter / Shroud Stud M6×99
5	951-11622	Flexible Clamp
6	710-05305	Hook Bolt
7	951-14455	Air Shield
188	710-05303	Self-Tapping Bolt 5.5×25

4P90HU Crankcase

- 191 - Gasket Kit - External
- 192 - Gasket Kit - Complete
- 193 - Complete Engine



4P90HU Crankcase

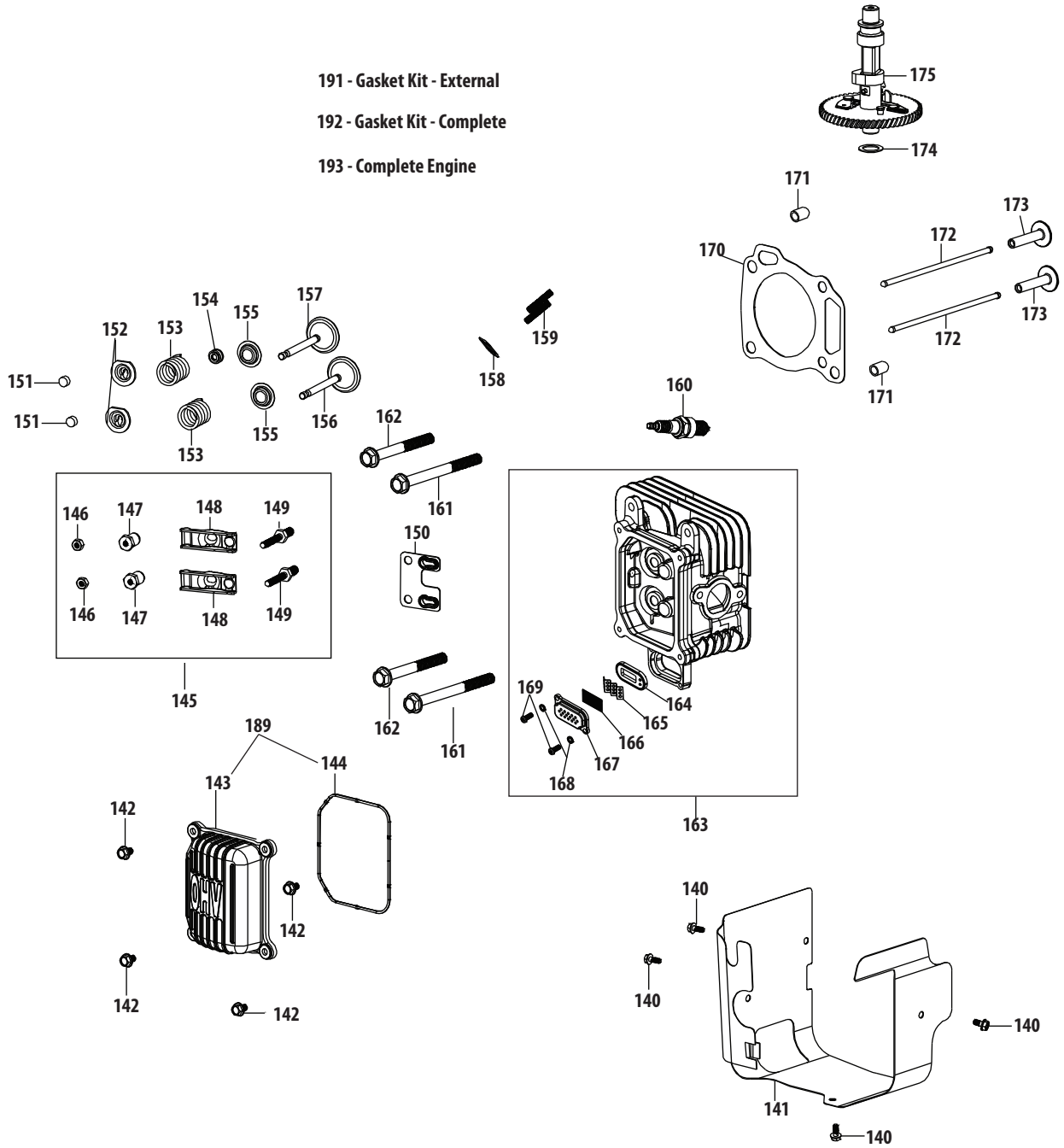
Ref.	Part Number	Description	Ref.	Part Number	Description
47	951-11499	Upper Crankshaft Seal	69	750-05530	Component Bracket Spacer
48	710-04916	Bolt M6×14	70	951-12235	Breather Hose Assembly
49	951-14456	Breather Cover Plate	72	951-12236	Breather Hose Clamp
50	951-12226	Breather Gasket	73	951-14462	Short Block Assembly (Incl. 37,47-53,55-58,73-77,84, 86-89,91-93,98-104,112,113, 115-119,137,138,144,158,170, 171,173-176,181-184)
51	951-12685	Umbrella Valve	74	951-12237	Crankcase Cover Gasket
52	951-12227	Mesh Screen	176	951-12275	Piston Ring Set
53	951-12686	Umbrella Valve Seat	181	951-11953	Piston Pin Snap Ring
54	951-12228	Choke Linkage	182	951-12276	Piston
55	951-12229	Governor Arm Shaft	183	951-11954	Piston Pin
56	736-04558	Governor Washer	184	951-12277	Connecting Rod Assembly
57	714-04074	Governor Cotter Pin	187	710-05319	Connecting Rod Bolt
58	951-11574	Governor Seal	191	951-12201	Gasket Kit - External (Incl.113,130,136-138,144,158)
59	951-12230	Throttle Linkage	192	951-12204	Gasket Kit - Complete (Incl.47,50,58,74,113,118,130, 136-138,144,158,170)
60	951-12231	Throttle Linkage Spring	193	952Z4P90HU	Complete Engine
62	951-12232	Governor Arm			
63	710-04908	Governor Arm Bolt			
64	712-04212	Governor Arm Nut M6			
65	951-12233	Governor Spring			
66	710-04979	Bolt M6×18			
67	710-05310	Bolt M6×38			
68	951-14457	Component Bracket/Separate			

4P90HU Cylinder Head

191 - Gasket Kit - External

192 - Gasket Kit - Complete

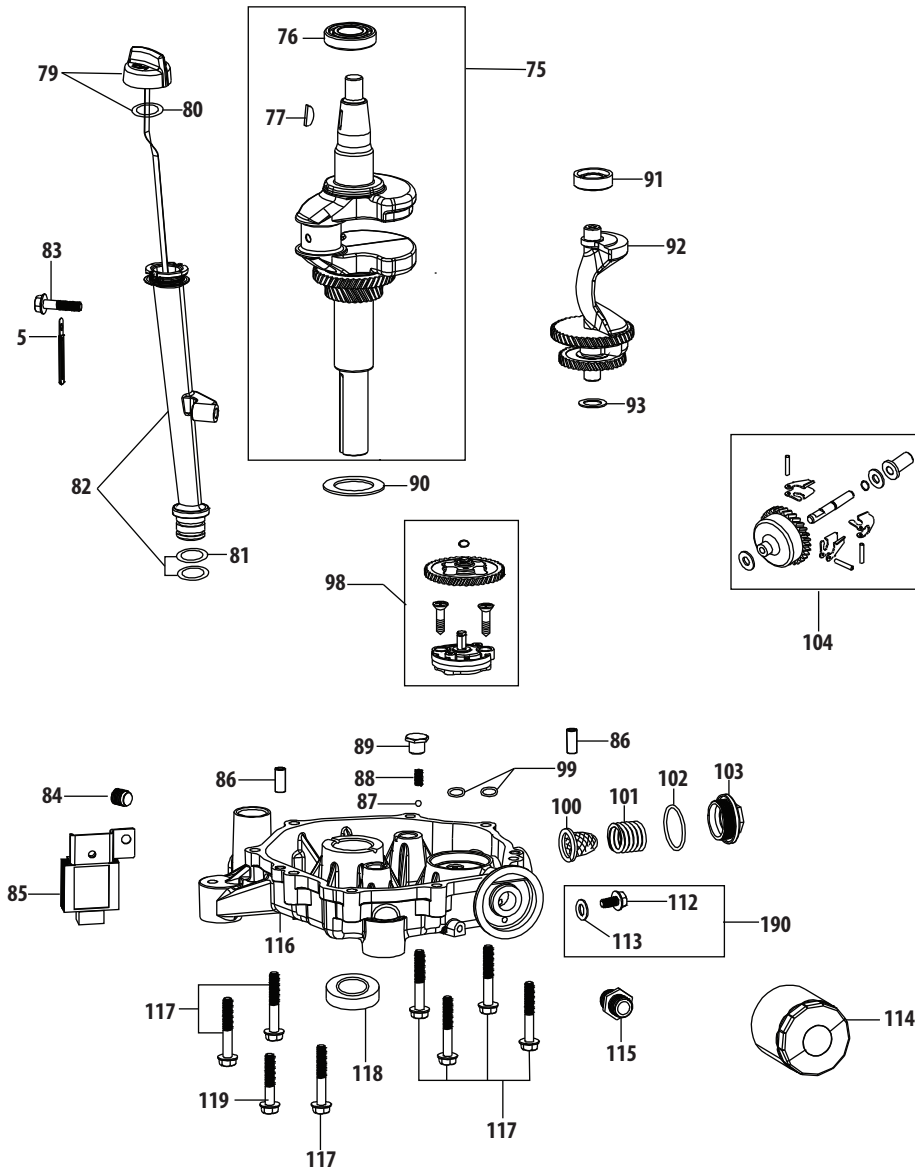
193 - Complete Engine



4P90HU Cylinder Head

Ref.	Part Number	Description	Ref.	Part Number	Description
140	710-05315	Bolt M5×10	163	951-12202	Cylinder Head Kit (Incl. 114,154,161,162,170)
141	951-12265	Cowl		951-14463	Cylinder Head Assembly (Incl. 137-139,144,146-159,
142	710-05316	Valve Cover Bolt	164	951-14460	Air Valve Core
143	951-12266	Valve Cover	165	951-12775	Strainer Clip
144	951-12267	Valve Cover Ring	166	951-12776	Second Air Valve Filter Element
145	951-11981	Rocker Arm Assembly	167	951-12777	The Air Valve Bonnet
146	751-11124	Jam Nut	168	736-04629	Washer
147	751-11123	Fulcrum Nut	169	710-05337	Screw M5×12
148	951-11966	Rocker Arm	170	951-12273	Cylinder Head Gasket
149	710-04962	Rocker Arm Stud	171	715-04122	Cylinder Head Dowel 12×16
150	951-12268	Push Rod Guide	172	951-11335	Push Rod Kit
151	951-12269	Exhaust Valve Adjuster	173	951-11962	Tappet
152	951-12080	Exhaust Valve Spring Retainer	174	736-04561	Camshaft Thrust Washer
153	951-12078	Valve Spring	175	951-12274	Camshaft Assembly
154	951-11964	Intake Valve Seal	189	951-12197	Valve Cover Kit
155	951-12077	Valve Spring Retainer	191	951-12201	Gasket Kit - External (Incl.113,130,136-138,144,158)
156	951-11337	Valve Kit	192	951-12204	Gasket Kit - Complete (Incl.47,50,58,74,113,118,130, 136-138,144,158,170)
157	951-11337	Valve Kit	193	952Z4P90HU	Complete Engine
158	951-12271	Exhaust Pipe Gasket			
159	951-14459	Muff Stud M8×47			
159	951-14464	Muffler Stud Assembly			
160	951-10292	Spark Plug/F6Rtc			
161	710-05317	Bolt M10×1.25×85			
162	710-05318	Bolt /M10×1.25×65			

4P90HU Crankshaft & Crankcase Cover

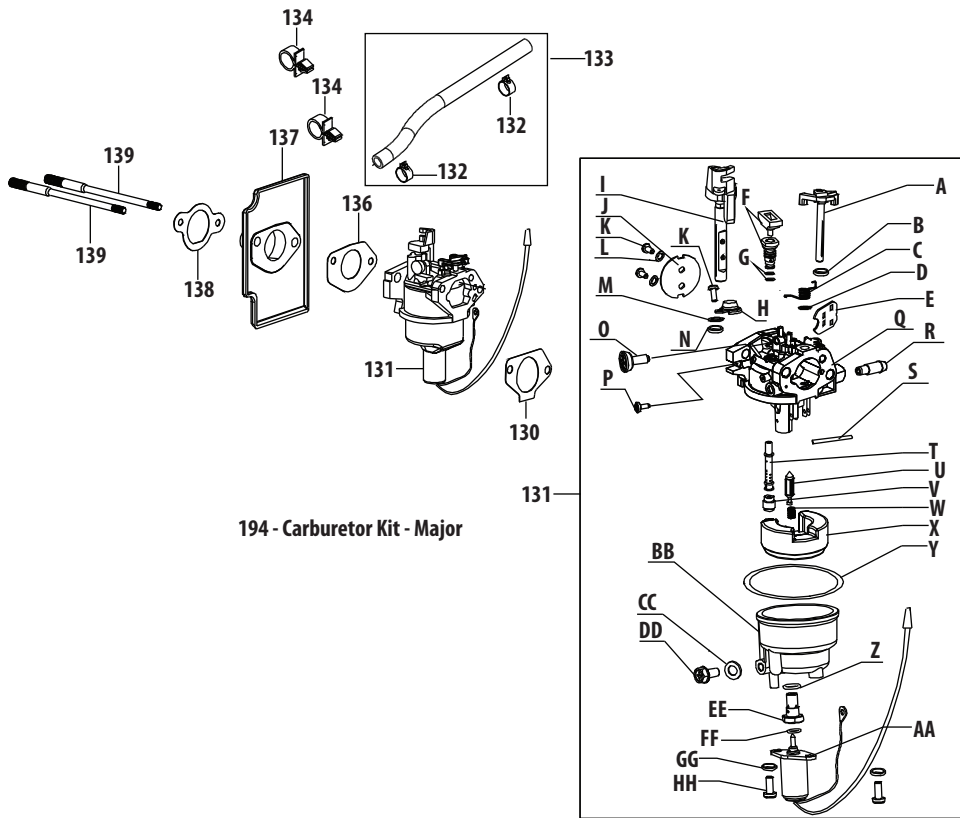


4P90HU Crankshaft & Crankcase Cover

Ref.	Part Number	Description
5	951-11622	Flexible Clamp
75	951-12238	Crankshaft Assembly
76	951-11969	Main Bearing
77	951-10307	Woodruff Key
79	951-12239	Dipstick Assembly
80	951-12241	Upper O-Ring
81	951-12363	Lower O-Ring
82	951-12240	Oil Fill Tube Assembly
83	710-04980	Bolt M6×35
84	710-05311	Oil Drain Plug
85	951-12242	Regulator
86	715-04121	Dowel Pin 8×14
87	951-12243	Ball 6.35
88	951-12244	Spring
89	710-05312	Bolt
90	736-04557	Crankshaft Thrust Washer
91	951-12245	Balanceable Shaft Bearing
92	751-12246	Balanceable Shaft Assembly
93	736-04559	Balanceable Thrust Washer

Ref.	Part Number	Description
98	951-12248	Oil Pump Assembly
99	951-12247	O-Ring 10×2.65
100	951-12249	Filter
101	951-12250	Filter Spring
102	951-12251	O-Ring 35.5×2.65
103	951-12252	Filter Cover
104	951-11956	Governor Gear/Shaft Assembly
112	710-05313	Bolt M8×15
113	736-04560	Oil Drain Plug Washer
114	951-12690	Oil Filter
115	951-12253	Screw Joint
116	951-12254	Crankcase Cover
	951-12318	Crankcase Cover Assembly (Incl.87-89,100-104,112,113,115,116)
117	710-04982	Bolt M8×54
118	951-11375	Lower Crankshaft Seal
119	710-05314	Bolt M8×43
190	951-12194	Oil Drain Plug Assembly

4P90HU Carburetor Assembly

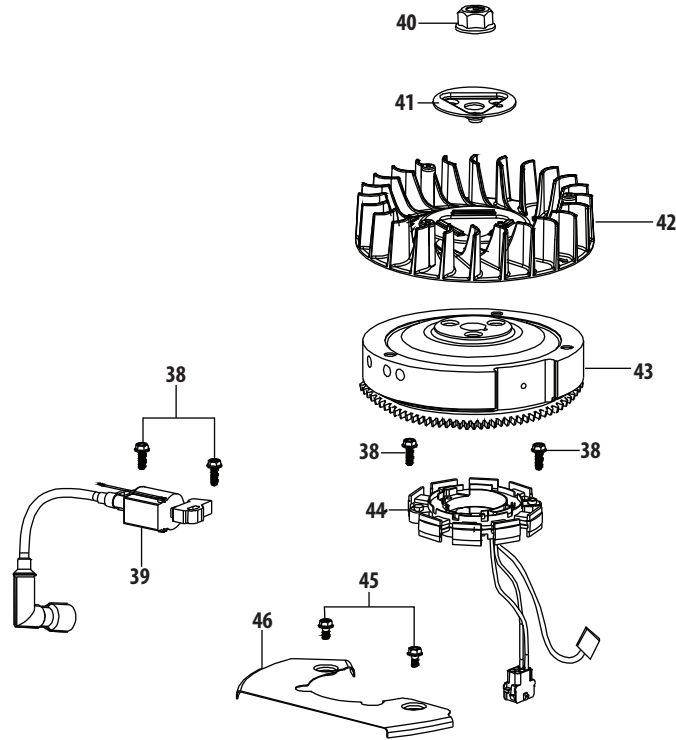


4P90HU Carburetor Assembly

Ref.	Part Number	Description
130	951-12258	Manifold Gasket
131	951-12771A	Carburetor Assembly
132	951-11731	Fuel Hose Clamp
133	951-11336	Fuel Line Kit
134	723-04071	Plastic Support Clamp
136	951-12261	Carburetor Gasket
137	951-12262	Carburetor Insulator
138	951-12263	Carburetor Insulator Gasket
139	951-12264	Carb Stud
194	951-14179	Carburetor Kit - Major (Incl.130,136,138,F,G,S ,T,U,V,W,X,Y,Z)
A	n/a	Choke Shaft
B	n/a	Choke Shaft Fiber O-Ring
C	n/a	Choke Return Spring
D	n/a	Flat Steel Washer
E	n/a	Choke Plate
F	n/a	Idle Jet Assembly
G	n/a	Idle Jet O-Ring
H	n/a	Sheetmetal Housing
I	n/a	Throttle Shaft
J	n/a	Throttle Plate
K	n/a	Screw M3x5
L	n/a	Lock Washer

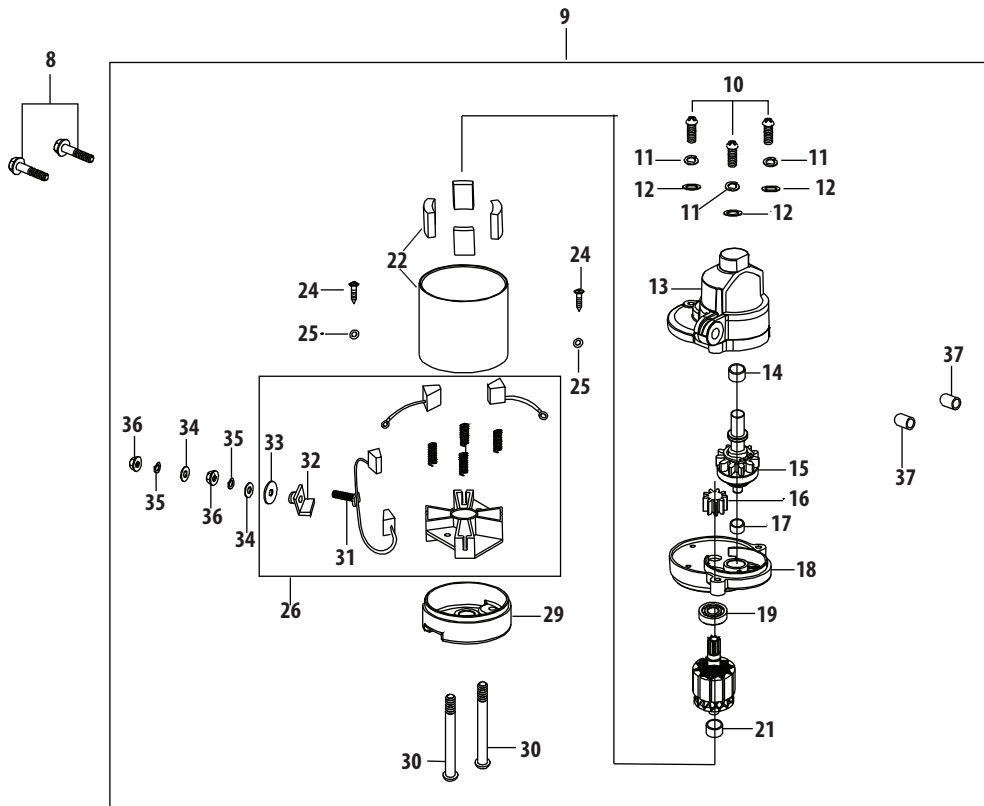
Ref.	Part Number	Description
M	n/a	Nylon/Plastic O-Ring
N	n/a	Fiber O-Ring
O	n/a	Idle Speed Adjusting Screw
P	n/a	Idle Mixture Screw
Q	n/a	Carburetor Body
R	n/a	Fuel Inlet
S	n/a	Float Pin
T	n/a	Emulsion Tube
U	n/a	Needle Valve
V	n/a	Main Jet
W	n/a	Needle Valve Spring
X	n/a	Float
Y	n/a	Fuel Bowl O-Ring
Z	n/a	O-Ring
AA	951-14175	Solenoid Valve Assembly (Incl.130,136,138,AA,G,H,Z)
BB	951-14176	Fuel Bowl Kit (Incl.130,136,138,BB,CC,DD,EE,Y,Z)
CC	n/a	Fuel Drain Plug Gasket
DD	n/a	Fuel Drain Plug
EE	n/a	Seat/Fuel Bowl Bolt
GG	n/a	Washer
HH	n/a	Screw M5x12

4P90HU Ignition & Electrical



Ref.	Part Number	Description
38	710-04931	Bolt M6×28
39	951-12220	Ignition Coil Assembly
40	712-04220	Flywheel Nut M16×1.5
41	951-12221	Plate
42	951-12222A	Cooling Fan
43	951-12223	Flywheel
44	951-12224	Coil Assy. Charge
45	710-04940	Bolt M6×10
46	951-12279	Cowl

4P90HU Starter Assembly



Ref.	Part Number	Description
8	710-05306	Bolt M8×40
9	951-12207	Starter Assembly
10	710-05307	Screw M5×25
11	736-04554	Lock Washer 5
12	736-04556	Plain Washer 6
13	951-12208	Electrical Starter Front Cover
14	951-12211	Bearing
15	951-12210	Pinion/Clutch Assembly
16	951-12312	Gear
17	951-12209	Bearing
18	951-12212	Pinion Cover
19	951-12214	Bearing 6001Zz
20	951-12215	Starter Armature
21	951-12216	Bearing

Ref.	Part Number	Description
22	951-12528	Starter Housing Assembly
24	951-12217	Screw
25	736-04554	Lock Washer
26	951-12529	Brush Assembly
29	951-12219	Electrical Starter Back Cover
30	710-05308	Bolt M6×100
31	710-05309	Bolt M6×30 Assembly
32	951-12324	Waterproof Washer
33	736-04555	Insulation Washer
34	736-04556	Plain Washer 6
35	736-04477	Lock Washer 6
36	712-04212	Nut M6
37	715-04120	Dowel Pin 10×14



To order replacement parts or locate your nearest service dealer call a Customer Support at (800) 800-7310.
or visit www.mtdproducts.com to find the nearest authorized dealer in your area.

MTD LLC, P.O. BOX 361131 CLEVELAND, OHIO 44136-0019
