



Buy it for looks. Buy it for life.®

Specifications

DESCRIPTION

- Metal construction with various finishes identified by suffix
- Includes showerhead, arm, flange and diverter spout

OPERATION

- Handle operates counterclockwise through a 270° arc with off at 6 o'clock and maximum hot at the 9 o'clock position. Shut off in clockwise direction
- Adjustable temperature limit stop to control maximum hot water temperature
- Pressure balancing mechanism maintains selected discharge temperature to ± 3°

FLOW

- Showerhead is limited to 2.5 gpm (9.5 L/min) at 80 psi
- EP suffix models are limited to 1.75 gpm (6.6 L/min) at 80 psi
- NH suffix models contain no showerhead

CARTRIDGE

- 1222 cartridge design
- Nonmetallic/nonferrous and stainless steel materials
- Accommodates back to back installations

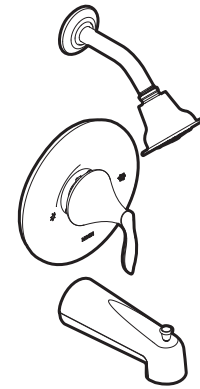
STANDARDS

- Third party certified to meet ASME A112.18.1/CSA B125.1 and all applicable requirements referenced therein
- EP suffix models are third party certified to WaterSense®

- **ADA**  for lever handle

WARRANTY

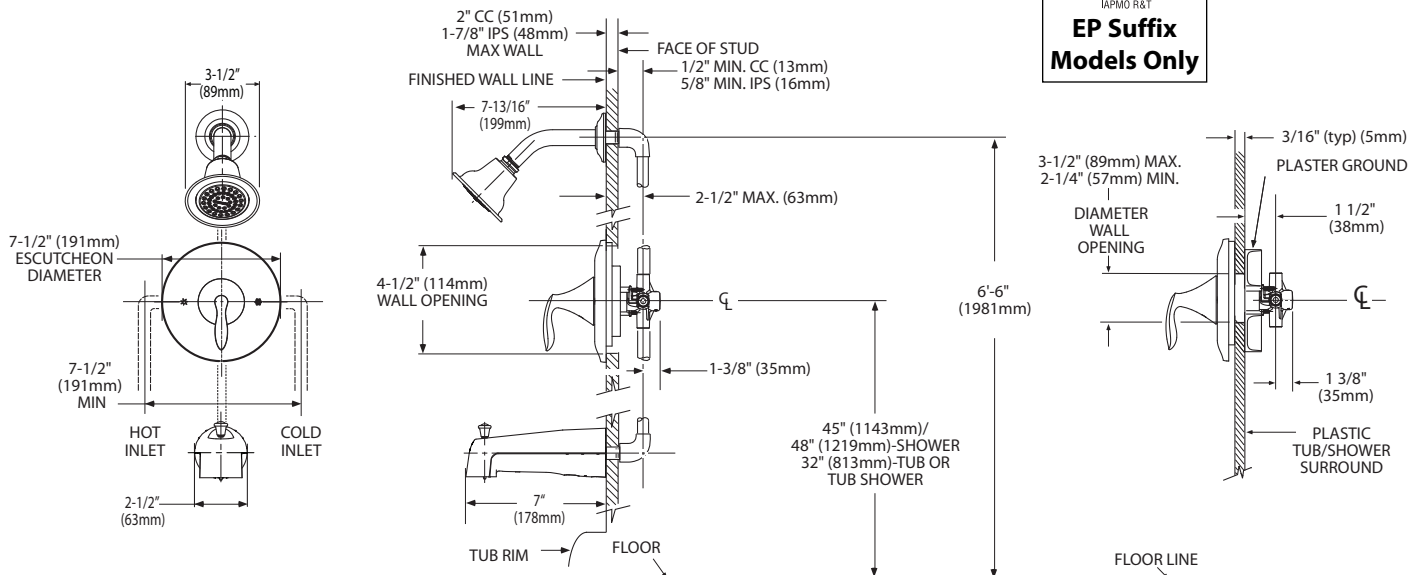
- Lifetime limited warranty against leaks, drips and finish defects to the original consumer purchaser
- 5 year warranty if used in commercial installations



EVA™ POSI-TEMP® Single-Handle Tub/Shower Trim Kit

- Models:** T2131 series - valve trim only
T62131 (Bulk Packed 12 per carton)
T2132 series - shower trim only
T62132 (Bulk Packed 12 per carton)
T2133 series - tub/shower trim
T62133 (Bulk Packed 12 per carton)

- Valves:** 62300 series
2500 series



THICK WALL APPLICATION

THIN WALL APPLICATION

CRITICAL DIMENSIONS

(DO NOT SCALE)