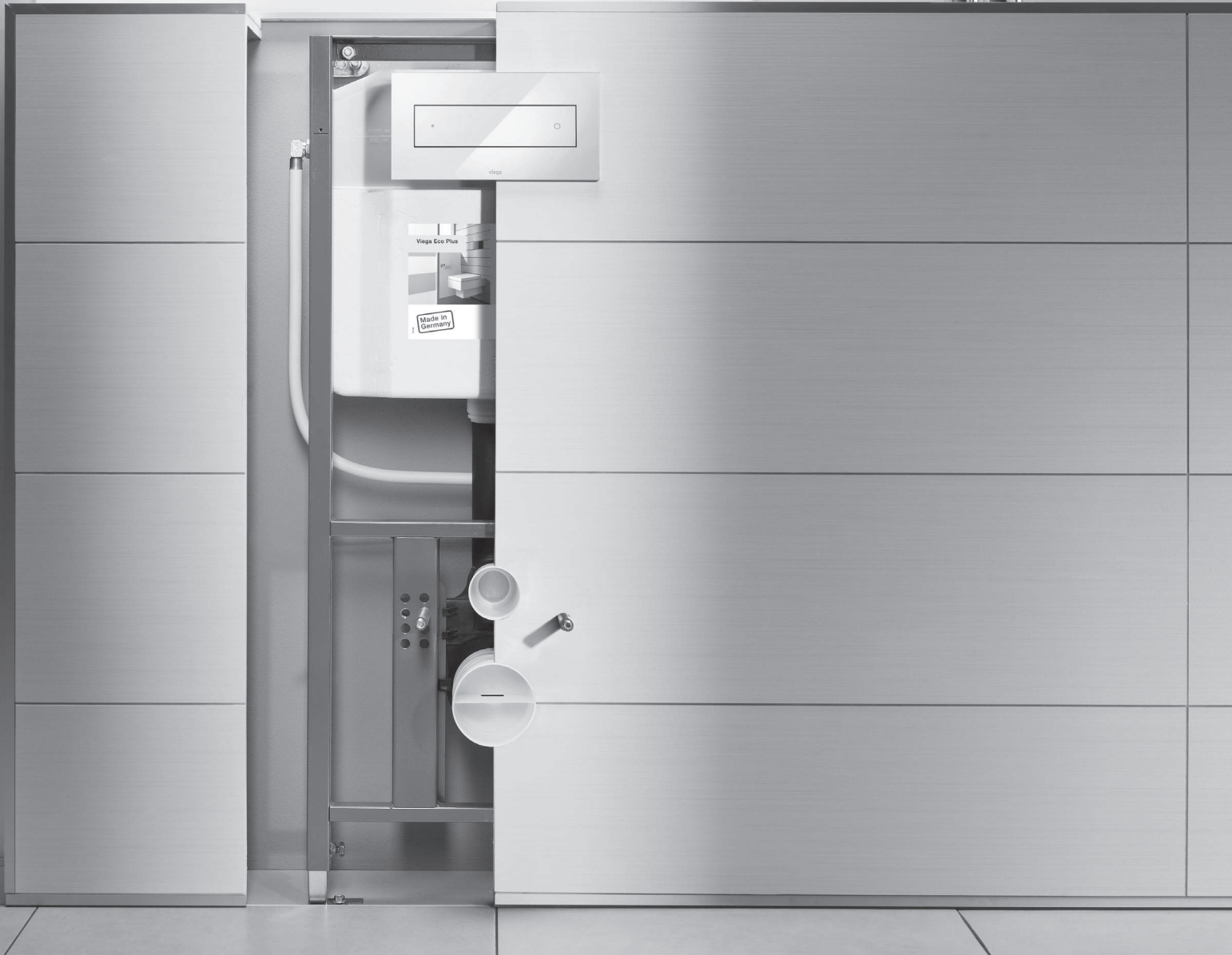


Viega Flushing Systems

Installation Manual



The global leader
in plumbing, heating
and pipe joining systems





Viega products are designed to be installed by licensed and trained plumbing and mechanical professionals who are familiar with Viega products and their installation. ***Installation by non-professionals may void Viega LLC's warranty.***

1 Instructions for Use

1.1 Intended use 4
 1.2 Construction height 4
 1.3 WC ceramic bowls. 4

2 Overview

2.1 Model 8180US. 5
 2.1.1 Dimensions. 6
 2.1.2 Flush volume 6
 2.2 Model 8108.1US 7
 2.2.1 Dimensions. 8
 2.2.2 Flush volume 8

3 Mounting

3.1 Framing and mounting WC carrier 9
 3.1.1 Required tools 9
 3.2 Mounting WC carrier Model 8180US 9
 3.2.1 Suitable walls 9
 3.2.2 Steel stud mounting 9
 3.2.3 Wood stud mounting 11
 3.3 Mounting WC carrier Model 8108.1US 12
 3.3.1 Suitable walls 12
 3.3.2 Steel stud mounting 12
 3.3.3 Wood stud mounting 14

4 Bowl Installation 15

5 WaterSense Compatible Toilet Bowl Models

5.1 WaterSense EPA high efficiency
 Compatible wall-hung toilet bowl models. 16
 5.2 Other compatible wall-hung toilet bowl models 17

6 Warranty 19

1 Instructions for Use

1.1 Intended use

- The Viega Eco Plus WC carrier is suitable for mounting in wood or steel stud walls
- The WC carrier may only be mounted on even wall surfaces

1.2 Construction height

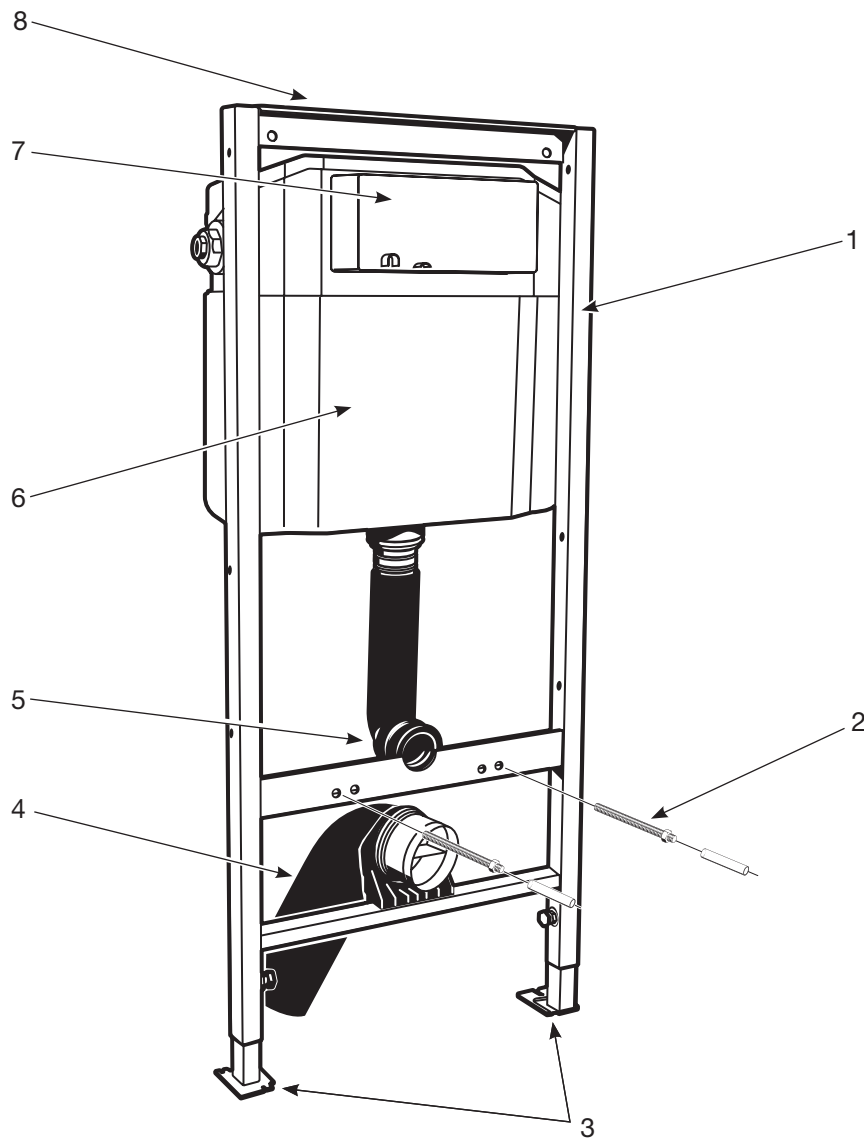
- All references to construction height should be measured from the finished floor. If measuring from unfinished floor, the thickness of the floor covering should be added.

1.3 WC ceramic bowls

- The Viega WC carrier can only be used in combination with compatible wall-hung bowls (for threaded rods spacing of 7½" or 9" (180 or 230 mm))

Model	Part No	Product description
8180US	52700	<p>Viega Eco Plus WC carrier 2x6 For Visign flush plates, manual or touchless actuation Flush actuation from the front, dual flush technology, adjustable ceramic height, barrier-free</p> <p>Components Powder-coated steel frame, concealed cistern, 3½" PP drain elbow, fernco coupling, mounting hardware for 2x6 wood or metal studs, bowl mounting kit, trim guards</p> <p>Cistern components Pre-mounted angle stop with ½" NPT supply connection, fill valve, flush valve</p> <p>Technical Data sm. flush vol. factory setting approx. 0.8 gallon sm. flush vol. setting approx. 0.8 - 1 gallon full flush vol. factory setting approx. 1.6 gallon</p>
8108.1US	52710	<p>Viega Eco Plus WC carrier 2x4 For Visign flush plates, manual or touchless actuation Flush actuation from the front, dual flush technology, adjustable ceramic height, barrier-free</p> <p>Components Powder-coated steel frame, concealed cistern, 3½" PP drain elbow, fernco coupling, mounting hardware for 2x4 wood or metal studs, bowl mounting kit, trim guards</p> <p>Cistern components Pre-mounted angle stop with ½" NPT supply connection, fill valve, flush valve</p> <p>Technical Data sm. flush vol. factory setting approx. 0.8 gallon sm. flush vol. setting approx. 0.8 - 1 gallon full flush vol. factory setting approx. 1.6 gallon</p>

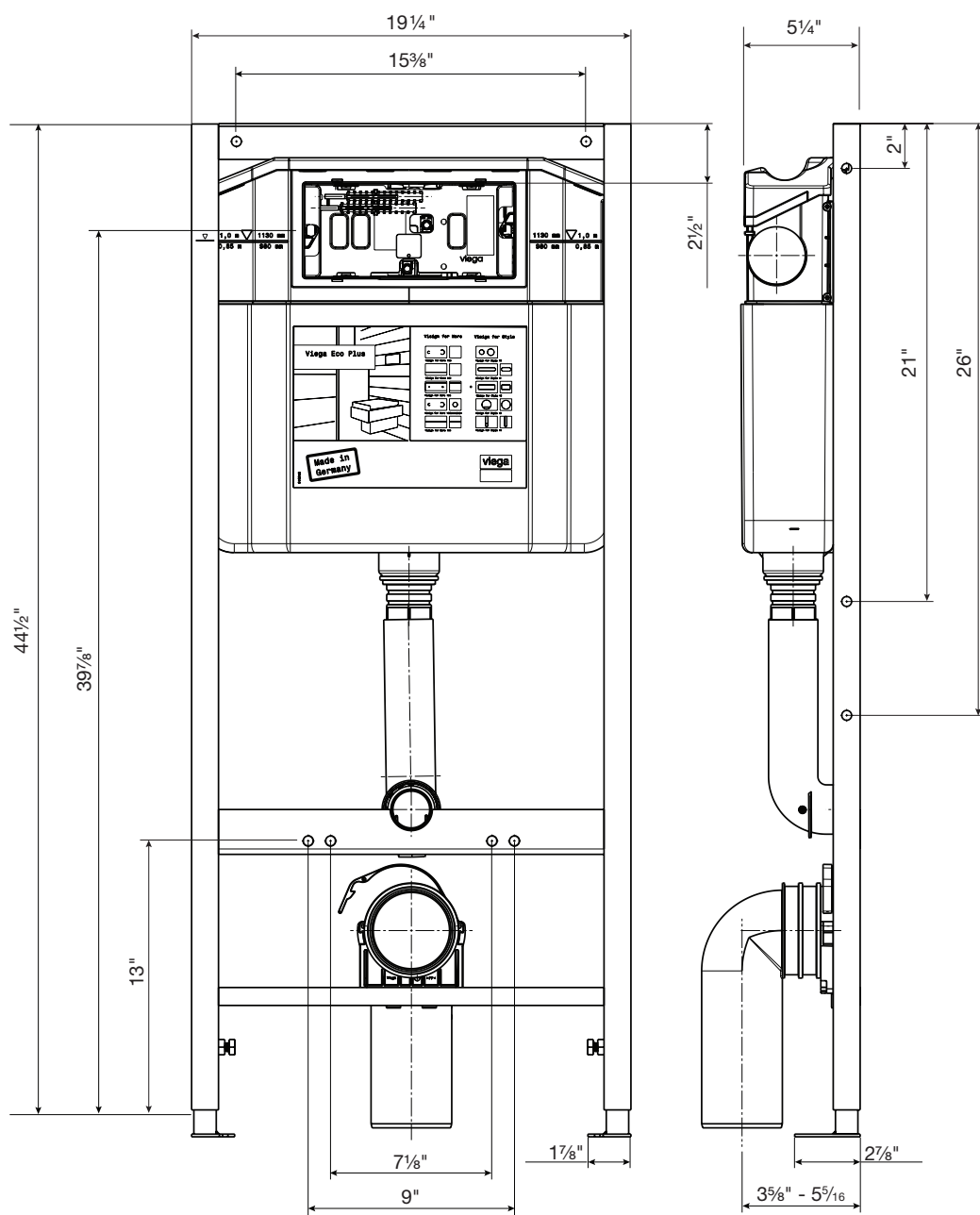
2.1 Model 8180US



1. Viega Flushing System WC carrier
2. Threaded rods for mounting ceramic bowls
Gauges for bore hole 7½" or 9"
(180 or 230mm)
3. Adjustable feet
4. Drain elbow

5. Water outlet to bowl
6. Concealed tank
7. Trim guard
8. Water supply ½" NPT

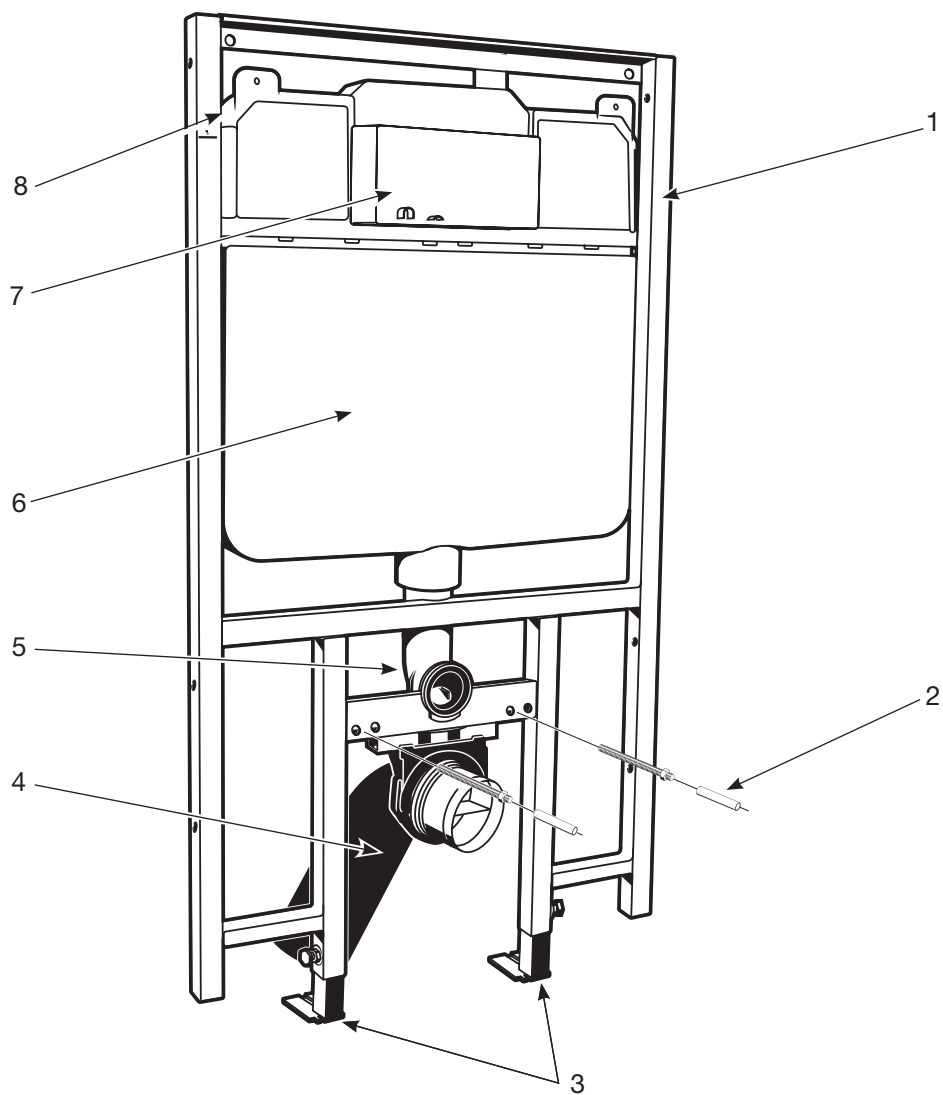
2.1.1 Dimensions



2.1.2 Flush volume

Small flush volume	Factory setting	approx. 0.8 gpf (3 lpf)
	Setting range	approx. 0.8 - 1 gpf (3-4 lpf)
Large flush volume	Factory setting	approx. 1.6 gpf (6 lpf)

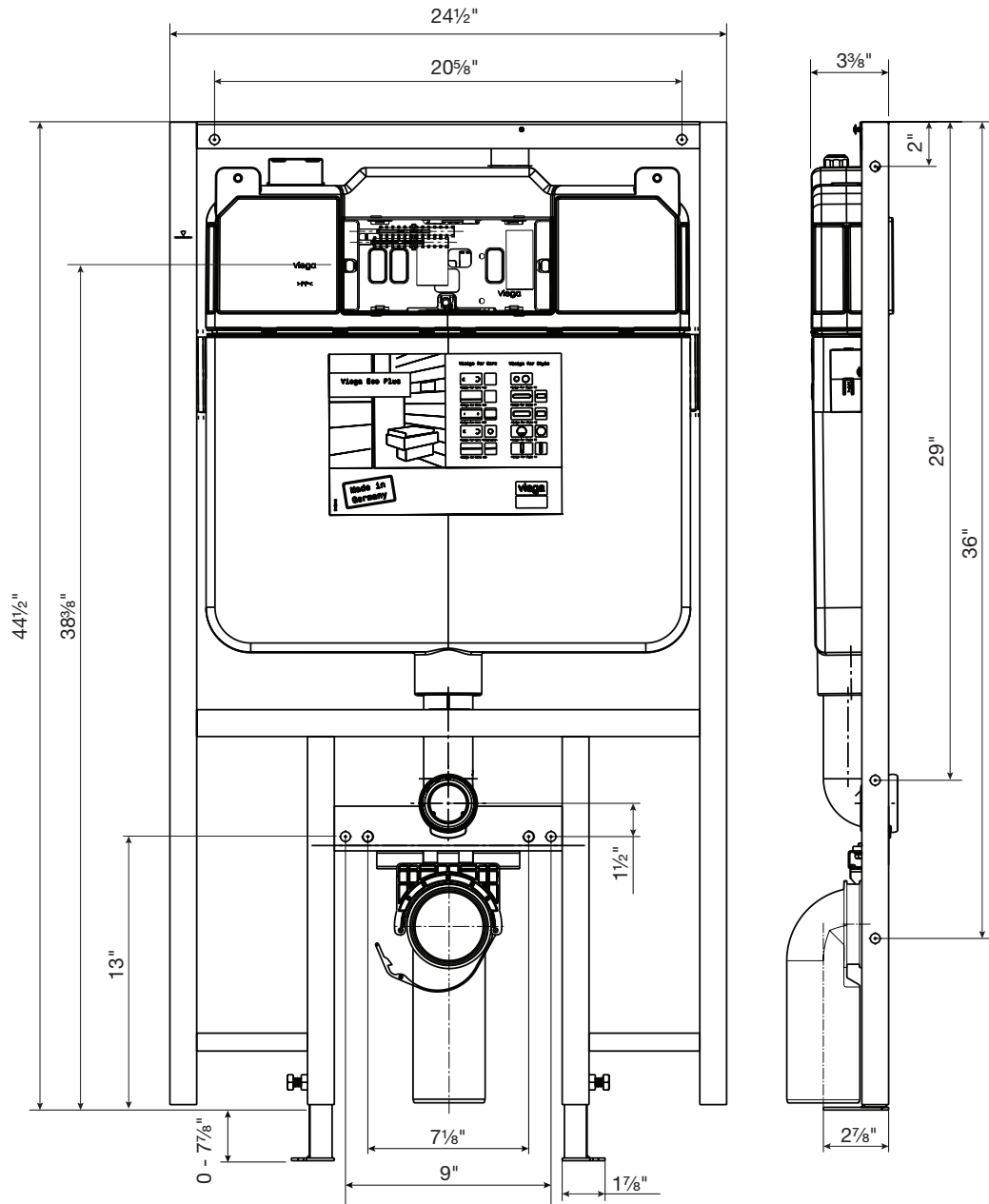
2.2 Model 8108.1US



- 1. Viega Flushing System WC carrier
- 2. Threaded rods for mounting ceramic bowls
Gauges for bore hole 7½" or 9"
(180 or 230mm)
- 3. Adjustable feet
- 4. Drain elbow

- 5. Water outlet to bowl
- 6. Concealed tank
- 7. Trim guard
- 8. Water supply ½" NPT

2.2.1 Dimensions



2.2.2 Flush volume

Small flush volume	Factory setting	approx. 0.8 gpf (3 lpf)
	Setting range	approx. 0.8 - 1 gpf (3-4 lpf)
Large flush volume	Factory setting	approx. 1.6 gpf (6 lpf)

3.1 Framing and mounting WC carrier

3.1.1 Required tools

The following tools are required for the mounting:

- Drill with $\frac{3}{8}$ ", $\frac{1}{4}$ " drill bit
- Ratchet with sockets $\frac{1}{2}$ ", $\frac{5}{8}$ ", $\frac{3}{4}$ "

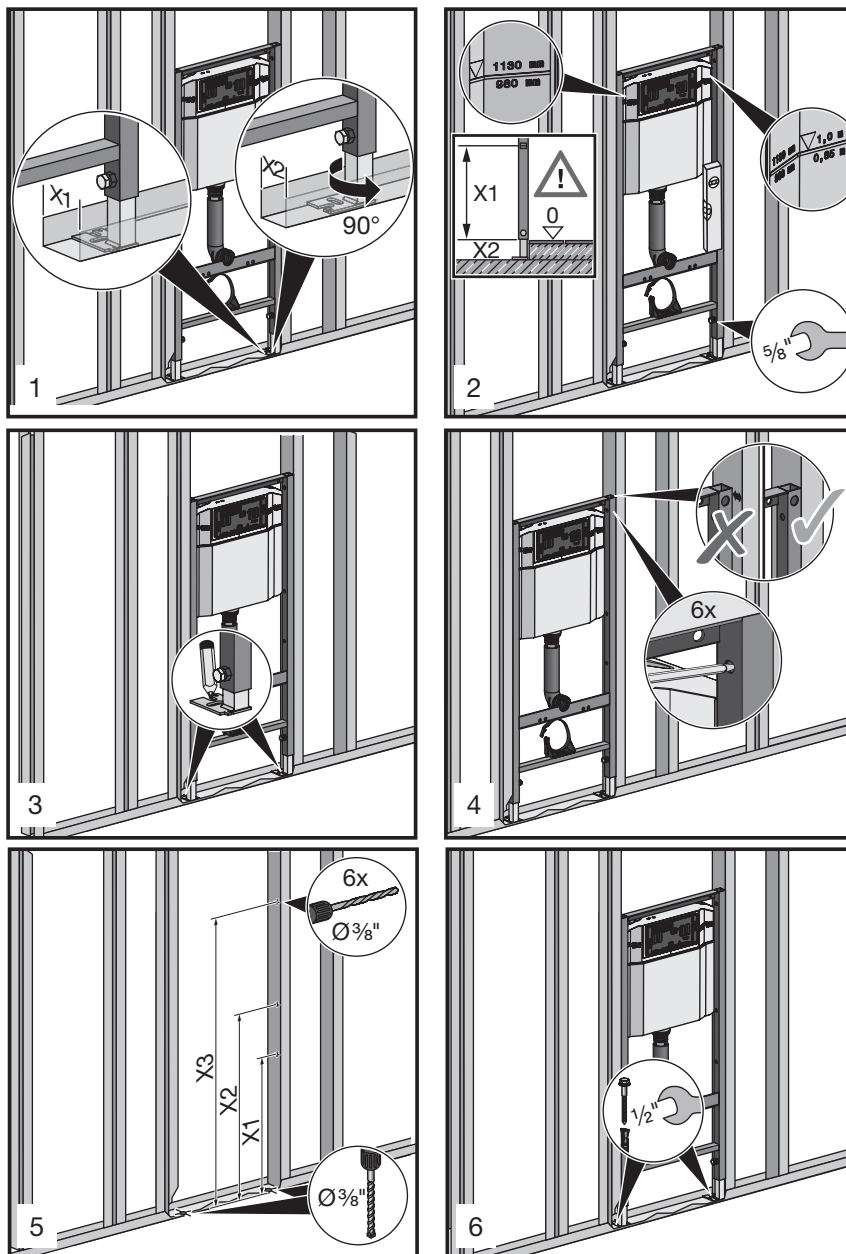
3.2 Mounting WC carrier Model 8180US

3.2.1 Suitable walls

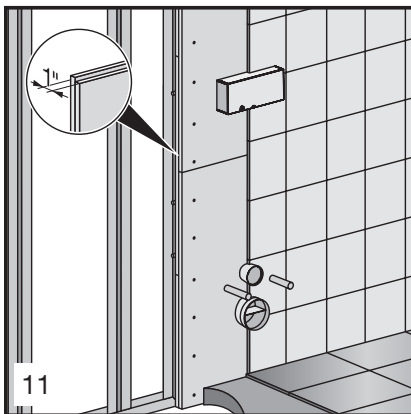
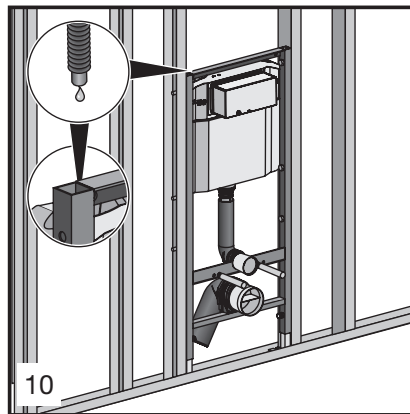
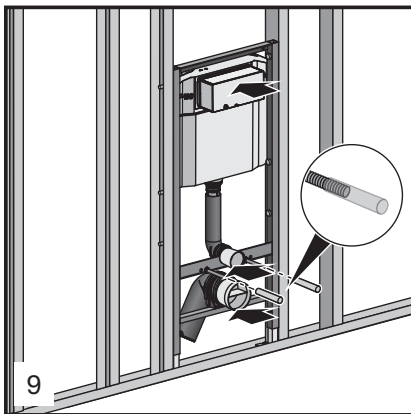
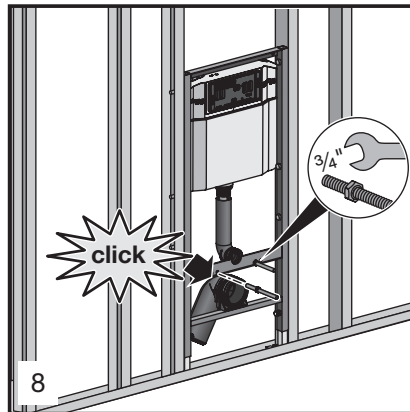
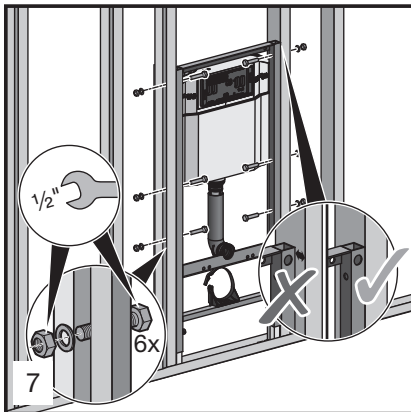
The WC carrier can be mounted on the following walls:

- Standard or structural 2 x 6 steel studs, minimum 25 gauge
- Standard 2 x 6 wooden studs (actual $1\frac{1}{2}$ " x $5\frac{1}{2}$ "), 19" apart.

3.2.2 Steel stud mounting

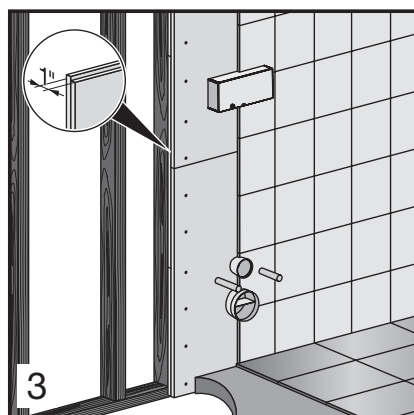
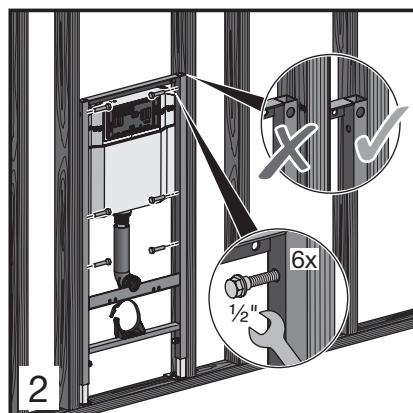
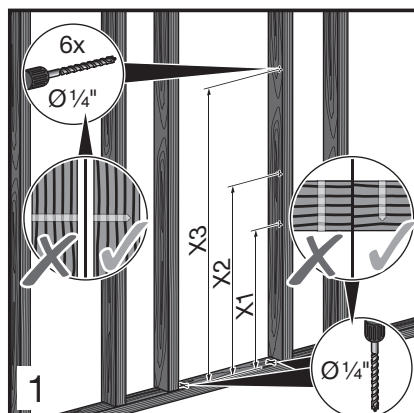


1. If necessary, adjust (pre-mounted) foot depth from 3" (75 mm) to 2" (50 mm). Pull the foot out and turn 90° if necessary.
2. Determine construction height based on desired bowl height, and mark wall 39" above surface of the finished floor. Tighten bolts on feet with $\frac{5}{8}$ " wrench.
 $x1 = 39"$ (1000 mm)
 $x2 = 0"$ (0 - 200 mm)
Note: Bowl height is dependent on the bowl. Review the bowl's bolt height requirements to ensure bowl is positioned at the required height.
3. Mark holes for floor supports.
4. Mark holes for side support at studs. Align carrier to vertically level with front of stud wall.
5. Drill $\frac{3}{8}$ " holes. Measurements above finished floor height.
 $x1 = 8\frac{1}{2}"$ (216 mm)
 $x2 = 15\frac{1}{2}"$ (393 mm)
 $x3 = 42\frac{1}{2}"$ (1080 mm)
6. Secure WC carrier to floor with supplied lag screws ($\frac{1}{2}$ " wrench).



7. Attach WC carrier to the studs using the supplied lag screws or bolts for steel and 1/2" wrench. Align carrier to vertically level with front of stud wall.
8. Clip in drain elbow. Insert and rotate threaded rods inner holes for 7 1/8" mounting (180 mm), outer holes for 9" mounting (230 mm). Attach drain elbow to drain pipe with supplied coupler.
9. Install mud guards on activation, WC supply, WC drain and threaded rods.
10. Connect to water supply.
11. 1" of mortar board (2 - 1/2" boards are acceptable) or green board suitable for tile.

3.2.3 Wood stud mounting



1. Mark holes for floor supports. Mark holes for side support at studs. Align carrier to vertically level with front of stud wall. Drill $\frac{3}{8}$ " holes. Measurements above finished floor height. **Don't drill through the complete wood stud.**
 x1 = $8\frac{1}{2}$ " (216 mm)
 x2 = $15\frac{1}{2}$ " (393 mm)
 x3 = $42\frac{1}{2}$ " (1080 mm)
2. Attach WC carrier to the studs using the supplied lag screws or bolts for steel and $\frac{1}{2}$ " wrench. Align carrier to vertically level with front of stud wall.
3. 1" of mortar board (2 - $\frac{1}{2}$ " boards are acceptable) or green board suitable for tile.

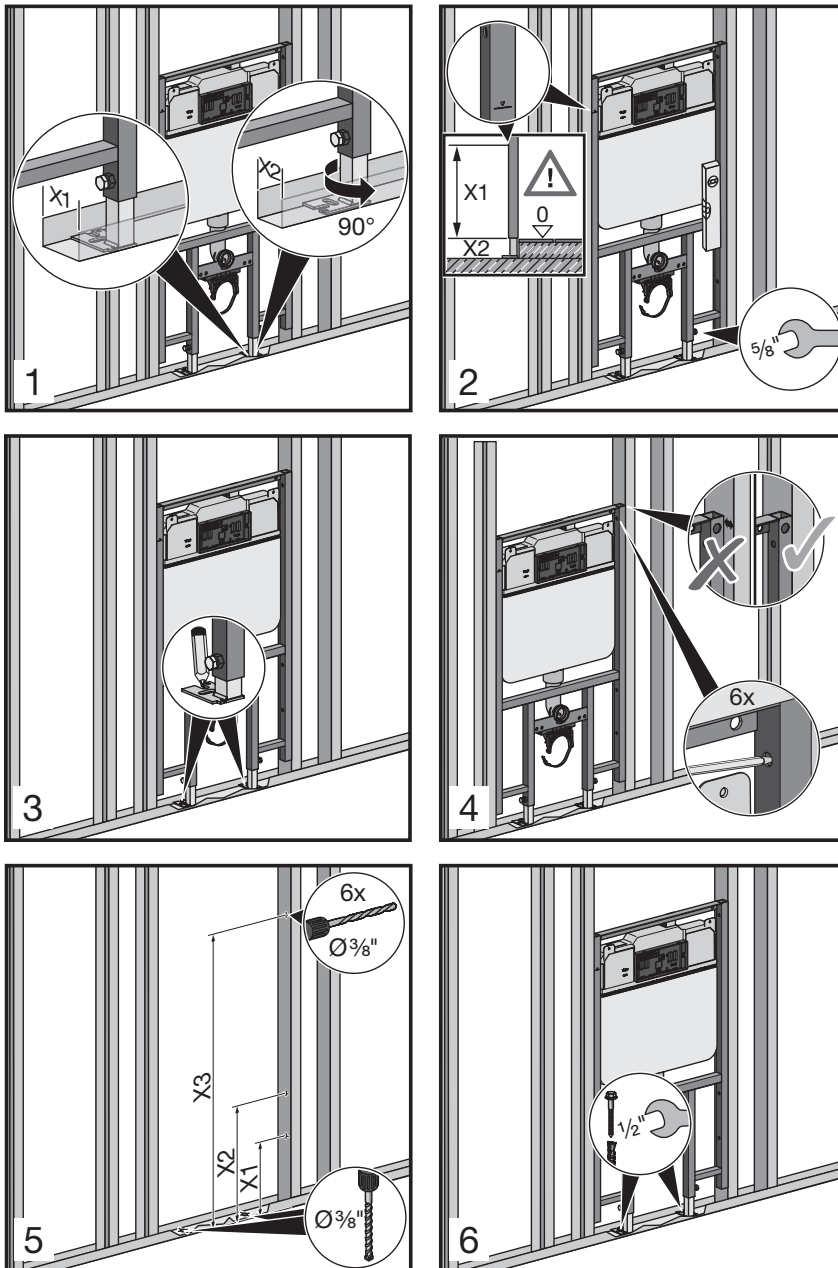
3.3 Mounting WC carrier Model 8108.1US

3.3.1 Suitable walls

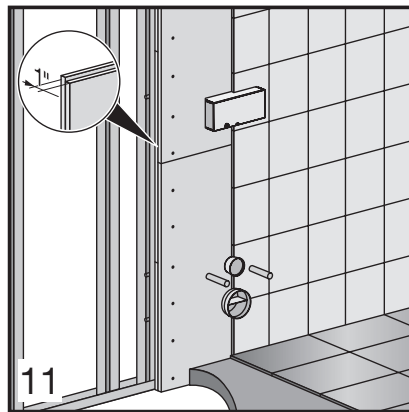
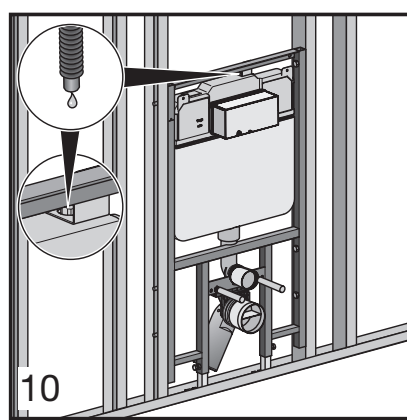
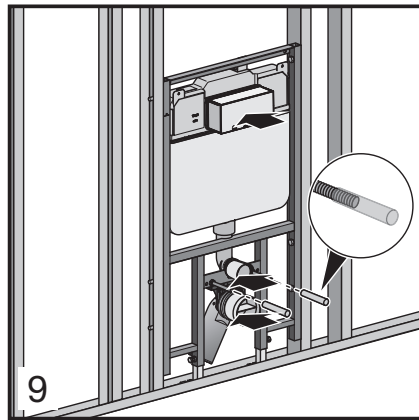
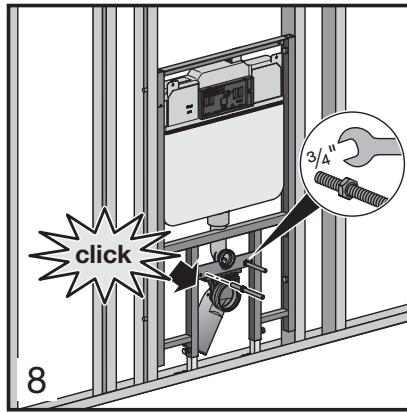
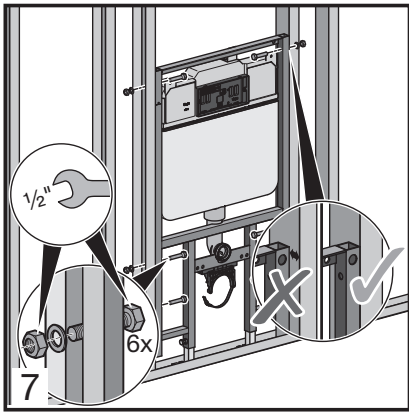
The WC carrier can be mounted on the following walls:

- Standard or structural 2 x 4 steel studs, minimum 25 gauge
- Standard 2 x 4 wooden studs (actual 1½" x 3½"), 19" apart.

3.3.2 Steel stud mounting

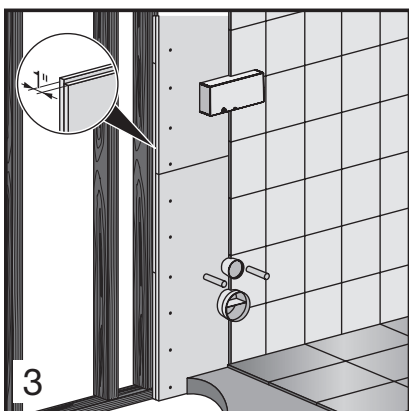
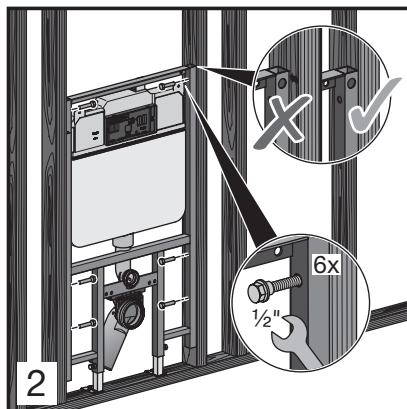
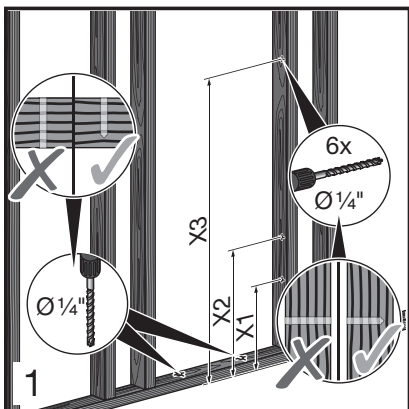


1. If necessary, adjust (pre-mounted) foot depth from 3" (75 mm) to 2" (50 mm). Pull the foot out and turn 90° if necessary.
2. Determine construction height, based on desired bowl height, and mark wall 39" above surface of the finished floor. Tighten bolts on feet with 5/8" wrench.
x1 = 39" (1000 mm)
x2 = 0" (0 - 200 mm)
3. Mark holes for floor supports.
4. Mark holes for side support at studs. Align carrier to vertically level with front of stud wall.
5. Drill 3/8" holes. Measurements above finished floor height.
x1 = 8½" (216 mm)
x2 = 15½" (393 mm)
x3 = 42½" (1080 mm)

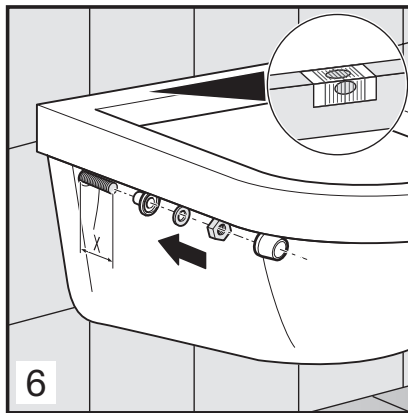
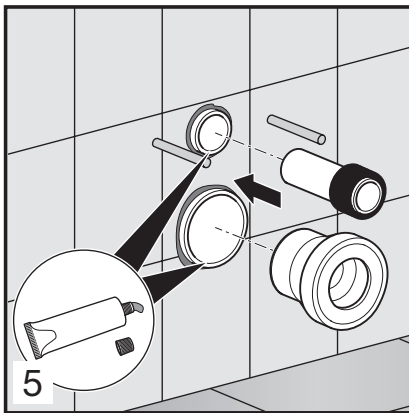
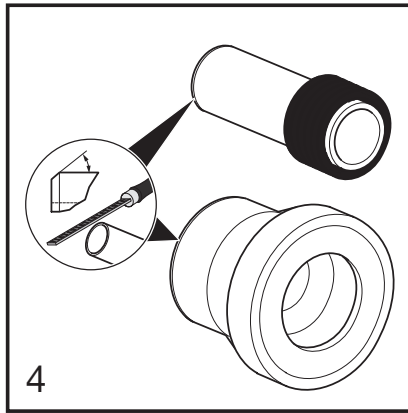
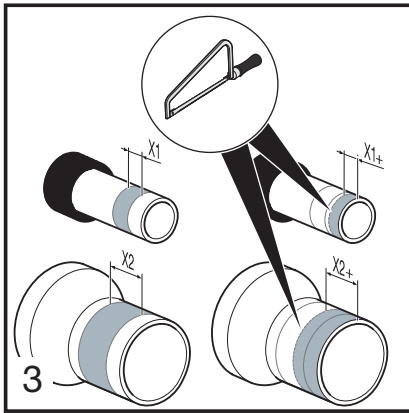
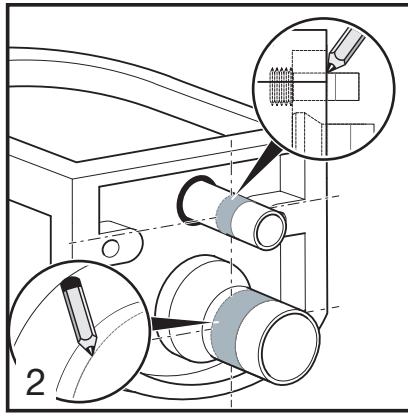
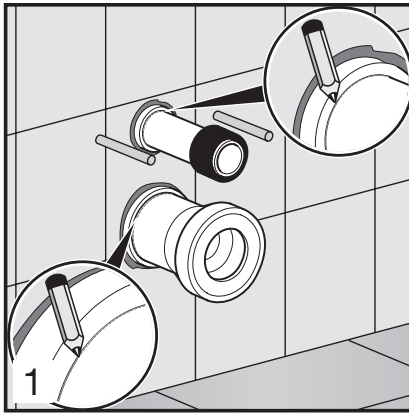


6. Secure WC carrier to floor with supplied lag screws ($\frac{1}{2}$ " wrench).
7. Attach WC carrier to the studs using the supplied lag screws or bolts for steel and $\frac{1}{2}$ " wrench. Align carrier to vertically level with front of stud wall.
8. Clip in drain elbow. Insert and rotate threaded rods inner holes for $7\frac{1}{8}$ " mounting (180 mm), outer holes for 9" mounting (230 mm). Attach drain elbow to drain pipe with supplied coupler.
9. Install mud guards on activation, WC supply, WC drain and threaded rods.
10. Connect to water supply.
11. 1" of mortar board (2 - $\frac{1}{2}$ " boards are acceptable) or green board suitable for tile.

3.3.3 Wood stud mounting



1. Mark holes for floor supports. Mark holes for side support at studs. Align carrier to vertically level with front of stud wall.
Drill $\frac{3}{8}$ " holes. Measurements above finished floor height.
Don't drill through the complete wood stud.
x1 = $8\frac{1}{2}$ " (216 mm)
x2 = $15\frac{1}{2}$ " (393 mm)
x3 = $42\frac{1}{2}$ " (1080 mm)
2. Attach WC carrier to the studs using the supplied lag screws using the supplied lag screws or bolts for steel and $\frac{1}{2}$ " wrench. Align carrier to vertically level with front of stud wall.
3. 1" of mortar board (2 - $\frac{1}{2}$ " boards are acceptable) or green board suitable for tile.



1. Insert pipes fully into water outlet and drain connection. Mark a line at the connection or finished wall, whichever is furthest out from the carrier.
2. Now fully insert the pipes, with their gaskets, into the bowl. Use a straight edge to mark the pipe on the same plane as the back edge of the china bowl.
3. Measure the distance between the two lines. This is the distance that needs to be cut from the end of the pipe. Mark this distance from the end of the pipe and cut to correct length.
4. Deburr the cut end inside and out. File around the outside edge of the pipe to create an angle to help easily insert the pipe.
5. Apply plumbers grease to the gaskets on the pipe and to the gaskets on the carrier. Insert the pipes into the bowl and slide bowl into place with pipes and threaded rods.
6. Secure bowl tightly to wall. **Note:** some connections may be different depending on the bowl manufacturer. Refer to the manufacturer's installation instructions for alternate bowl mounting techniques. Caulk around bowl if desired or if recommended by the bowl manufacturer.

5.1 WaterSense EPA high efficiency Compatible wall-hung toilet bowl models

Manufacturer	Model Number	Model Name
Duravit	22170900921	Duravit wall mounted toilet
	2226090092	Duravit wall mounted toilet
	22260900921	Duravit wall mounted toilet
	2533090092	Duravit wall mounted toilet
	2537090092	Duravit wall mounted toilet
	2542090092	Duravit wall mounted toilet
	2544090092	Duravit wall mounted toilet
	2550090092	Duravit wall mounted toilet
	22200900921	Duravit wall mounted toilet
Kohler	K-6299	Veil
Toto	CT418FG	Aquia
	CT486FG	Maris

Note: Tank model numbers may have suffix.

xx.x, where *xx.x* denotes shipping information.

*Consult toilet manufacturers for up-to-date model numbers and availability.

**Floor standing bowl

5.2 Other compatible wall-hung toilet bowl models

Manufacturer	Model Number	Model Name
Blu Bathworks	LW6008	Coco
	LW6020A	Metrix
	LW6030A	Coco
Duravit	18209	1930 Series
	222009	2 nd Floor
	017509	Bathroom_Foster
	015609	Caro
	221109	D-Code
	222809	D-Code
	253509	D-Code
	254409	Darling New
	254509	Darling New
	255709	Darling New
	018509	Duraplus
	254709	Duraplus
	253609	DuraStyle
	253709	DuraStyle
	253809	Durastyle
	253909	DuraStyle
	254009	DuraStyle
	254109	DuraStyle
	254209	DuraStyle
	255109	DuraStyle
	255209	DuraStyle
	255909	DuraStyle
	256209	DuraStyle
	222109	Happy D.2
	222209	Happy D.2
	255009	Happy D.2
	252809	ME by Stark
252909	ME by Stark	
253009	ME by Stark	
256109	P3 Comforts	
221909	Puravida	

Manufacturer	Model Number	Model Name	
Duravit (cont.)	021009	Starck 1	
	253309	Starck 2	
	253409	Starck 2	
	220309	Starck 3 extra long	
	222509	Starck 3	
	222529	Starck 3	
	222609	Starck 3	
	222709	Starck 3 compact	
	222659	Starck 3	
	252709	Starck 3	
	221709	Vero	
	D2557090092	Duravit wall mounted toilet	
	DXV	D29001000.415	Seagram
	Icera	C-6610	Clarity
C-2340		Metro	
C-2370		Piano	
Kallista	P70361-00	Pléo	
Lacava	5051WC	Giulia	
	4278	Piazza	
	6058	Suave	
Laufen	820978	Alessi One	
	820908	Alessi One	
	820808	Palomba	
	820338	Kartell	
	820439	Living	
	820688	LB3	
	820708	Palace	
	820963	Laufen Pro S	
	820950	Laufen Pro	
	820969	Laufen Pro	
	820661	HiJet	
	Mirabelle	MIREDD220WH	Edenton
MIRWH220WH		Winter Haven	
MIRBD220WH		Bradenton	
Neo-Metro	8951	Euro-Urban Contour	
	8957	Metaal	
	8952	miniLoo	

Manufacturer	Model Number	Model Name
Porcher	47010-11	Solutions
ROCA	346768	Armani
	346518	Dama Senso
	346468	Giralda
	346628	Hall
	346568	Happening
Villeroy & Boch	5684-U1-01	Architectura
	4688-UR-01	Architectura- Elongated
	5627-U1-R1	La Belle
	5628-U1-XX	Memento
	6661-U0-R1	Strada
	5600-U0-XX	Subway
	5614-UR-XX	Subway-Rimless
	4609-UR-XX	Subway- Elongated-Rimless
	6600-U1-XX	Subway-D-shape

Note: Tank model numbers may have suffix.

xx.x, where *xx.x* denotes shipping information.

**Consult toilet manufacturers for up-to-date model numbers and availability.*

***Floor standing bowl*

Viega provides the following limited warranties on its flushing system products to the original purchaser, installed in a residential application. Flushing system products must be installed in accordance with local plumbing and building codes. Viega does not extend this warranty to (nor imply) local code compliance.

A limited lifetime warranty is provided to the original purchaser on the carrier and tank shell to be free from manufacturing defects in materials and workmanship under normal use.

A ten-year limited warranty is provided to the original purchaser on the flushing mechanism (fill and discharge valves) to be free from manufacturing defects in materials and workmanship under normal use.

A one year limited warranty is provided to the original purchaser on the actuator plate.

At Viega's discretion, any part that proves to be defective in material and/or workmanship under normal installation, use, and service will be repaired or replaced.

To obtain warranty repair or replacement, the faulty part or product is to be sent along with proof of purchase (original Sales Receipt) from the original consumer purchaser to:

Viega LLC
 Attention: Quality Assurance
 2211 Viega Ave., McPherson KS 67460
 1-800-976-9819

This limited warranty is extended to the original consumer owner, but does not cover installation or other labor changes and shall not apply to any products or parts of products which have been:

- A) Repaired by unqualified persons or not using original Viega spare parts or altered in any manner unless previously authorized in writing by Viega; or
- B) Damaged as a result of misuse, negligence, accident, or faulty installation or maintenance; or
- C) Installed or used in a manner contrary to Viega's printed instructions; or

D) Damaged by the effects of dirt, lime scale, or aggressive cleaners.

E) Use of in-tank toilet cleaners will void the warranty.

THIS IS THE EXCLUSIVE WARRANTY BY VIEGA, WHICH DOES NOT MAKE ANY OTHER WARRANTY OF ANY KIND. VIEGA SPECIFICALLY EXCLUDES THE IMPLIED WARRANTY OF MERCHANTABILITY AND FITNESS FOR A PARTICULAR PURPOSE.

This warranty excludes all industrial, commercial, and business usage whose purchasers are extended a one (1) year limited warranty from the date of purchase, with all other terms of this warranty. (See following for commercial products.)

Commercial Products: Viega warrants its products installed in a commercial application to be free from manufacturing defects for a period of one (1) year from the date of acquisition by original owner. Replaced products or parts are warranted only for the period remaining under the initial warranty.

THIS WARRANTY IS LIMITED SOLELY TO THE ABOVE AND THIS WARRANTY AND ANY WARRANTIES IMPLIED BY STATE LAW WILL APPLY ONLY FOR THE APPLICABLE PERIOD SPECIFIED HEREIN. ALSO, VIEGA WILL NOT BE LIABLE FOR ANY LOSS, DAMAGE, EXPENSE, OR INCIDENTAL OR CONSEQUENTIAL DAMAGES OF ANY KIND, WHETHER BASED ON WARRANTY, CONTRACT, OR NEGLIGENCE AND ARISING IN CONNECTION WITH SALE, USE, OR REPAIR OF THE PRODUCT. SOME STATES DO NOT ALLOW THE EXCLUSION OR LIMITATION OF CONSEQUENTIAL DAMAGE OR LIMITATIONS ON HOW LONG AN IMPLIED WARRANTY LASTS, SO THE ABOVE LIMITATIONS OR EXCLUSIONS MAY NOT APPLY. THIS WARRANTY GIVES YOU SPECIFIC LEGAL RIGHTS AND YOU MAY ALSO HAVE OTHER RIGHTS WHICH VARY FROM STATE TO STATE. UNLESS OTHERWISE CONTRARY TO STATE LAW GOVERNING THE PURCHASE, VIEGA'S LIABILITY WILL NOT EXCEED THE CONTRACT PRICE FOR THE PRODUCT CLAIMED TO BE DEFECTIVE OR UNSUITABLE.

Viega LLC

12303 Airport Way, Ste. 395
Broomfield, CO 80021
Phone: 1-800-976-9819
Fax: 1-800-976-9817
www.viega.us

This document subject to updates. For the most current Viega technical literature please visit www.viega.us.

©2018, Viega®, ProPress®, MegaPress®, SeaPress®, Smart Connect®, ManaBloc®, GeoFusion®, FostaPEX®, Radiant Wizard®, Climate Panel®, Climate Mat®, and Climate Track® are registered trademarks of Viega GmbH & Co. KG. SmartLoop® and Viega Eco Plus® are registered trademarks of Viega Holding GmbH & Co. ViegaPEX™ is a trademark of Viega GmbH & Co. KG. Zero Lead™ and PolyAlloy™ are trademarks of Viega LLC. Eco Brass® is a registered trademark of Mitsubishi Shindoh Co., LTD. RIDGID® is a registered trademark of RIDGID, Inc. LoopCAD® is a registered trademark of Avenir Software Inc. Radel® is a registered trademark of Solvay Advanced Polymers, LLC.



IM-FT 591480 0318