



# SYMMONS® Showeroff®

## Automatic Shower limiting Valve Installation and Service

For California Residents

**WARNING:** This product contains chemicals known to the State of California to cause cancer, birth defects, or other reproductive harm.

### Timing Instructions:

- 1) Loosen Allen set screw (NS-28) on side of knob (NS-3).
- 2) Pop-out plug-button (NS-29) with sharp pointed tool.
- 3) Insert thin blade screw driver in center hole of knob (NS-3) and into the slot of the push-rod (NS-4).
- 4) Turn knob (NS-3) clockwise while holding screw driver firmly. Turn until push-rod (NS-4) is 3/16" from top of knob (NS-3). This will give minimum time cycle. Replace plug-button (NS-29)
- 5) Tighten Allen set screw (NS-28). To increase time cycle, turn knob (NS-3) counter-clockwise in step 4.

### Service:

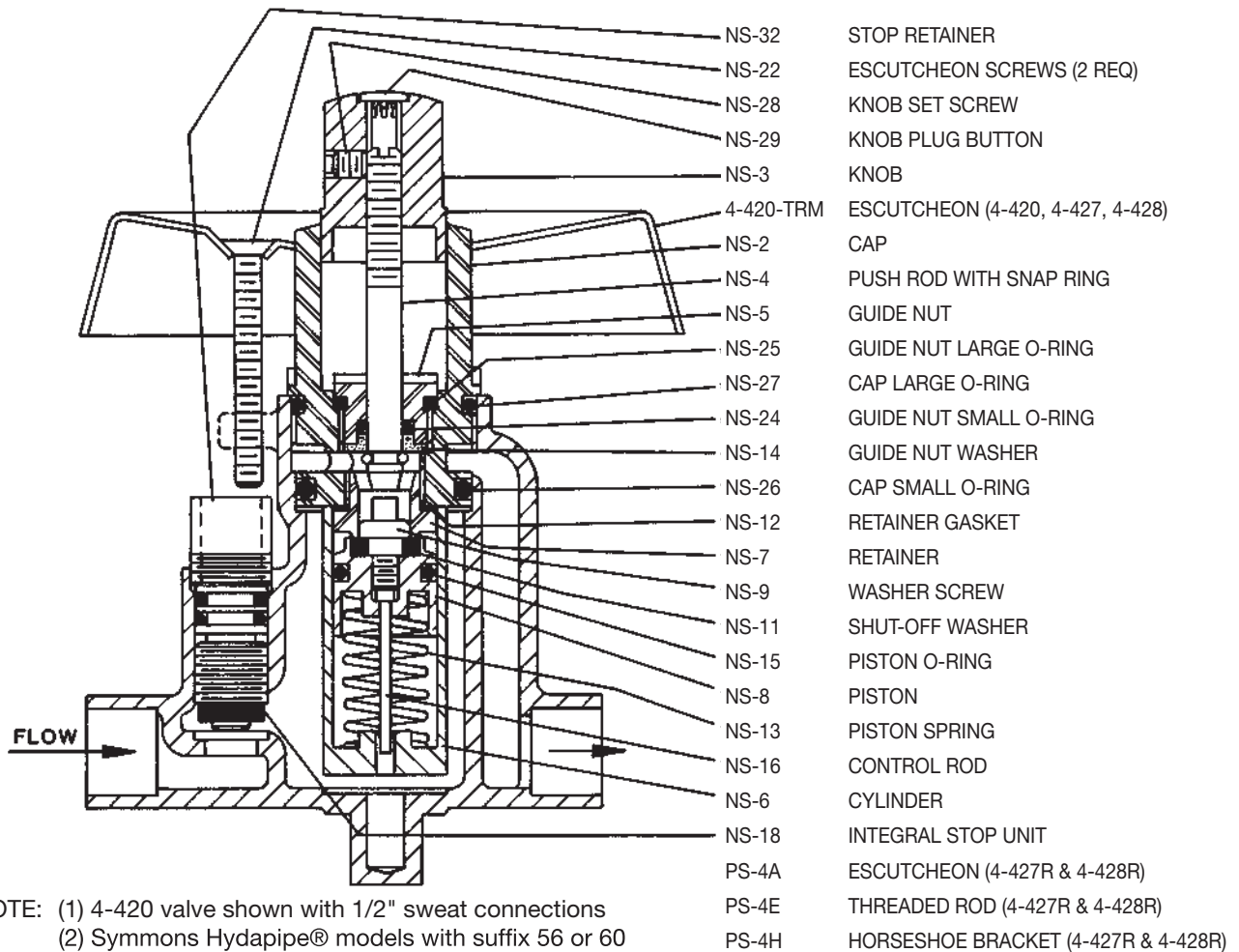
**NS-13R - Washer & Gasket Repair Kit**, includes piston unit, control rod sleeve, sleeve, retainer and all necessary washers and gaskets.

**NS-1 - Complete Replacement Unit**, includes the complete working unit of the valve assembled and tested)

**New installations**, before turning on the water supply, remove cartridge, open stop and thoroughly flush supply line. Replace cartridge and turn on supply. If supply is not thoroughly flushed of dirt and foreign matter, the valve will not shut off.

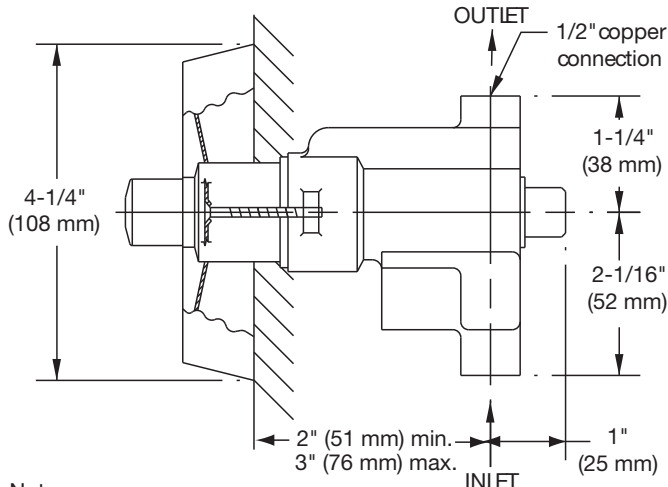
**Long idle periods** - If the valve has a long idle period between installation and use, or is used seasonally, disassemble the cartridge unit and lightly lubricate all moving parts.

### Parts Assembly Showeroff Shower Limiting Valve, 4-420



NOTE: (1) 4-420 valve shown with 1/2" sweat connections  
 (2) Symmons Hydapipe® models with suffix 56 or 60 include the Symmons Showeroff valve shown above

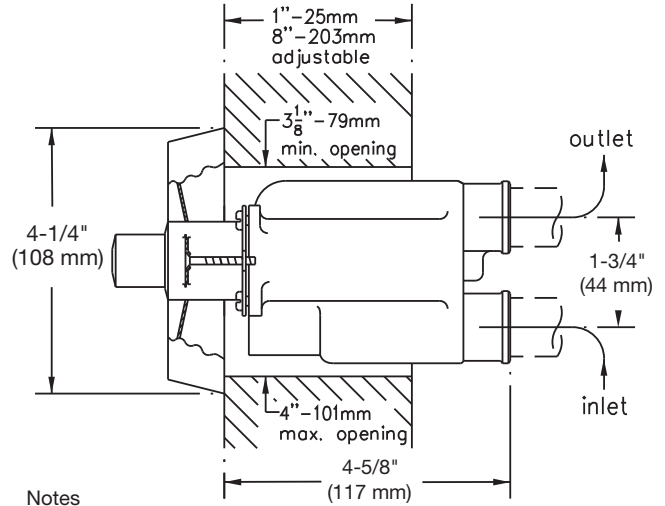
**Dimensions Showeroff Shower Valve, 4-420**



**Notes**

- (1) Illustrated 3" (76 mm) from tubing centerline to face of wall
- (2) Dimensions subject to change without notice

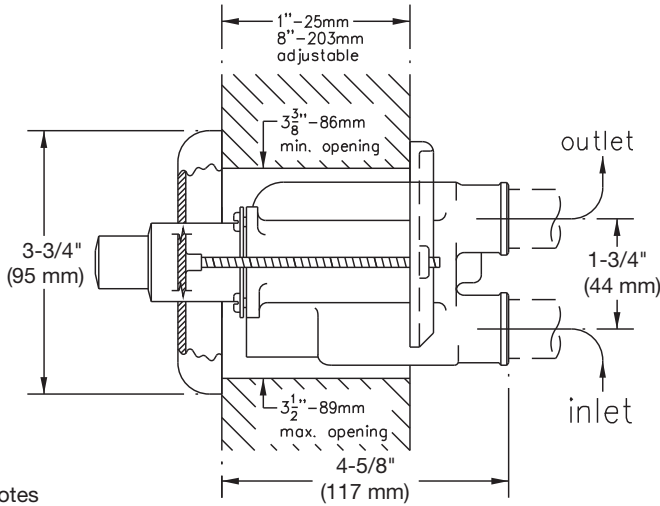
**Dimensions Showeroff Shower Limiter Valve, 4-427**



**Notes**

- (1) Illustrated with 3" (76 mm) wall
- (2) Dimensions subject to change without notice

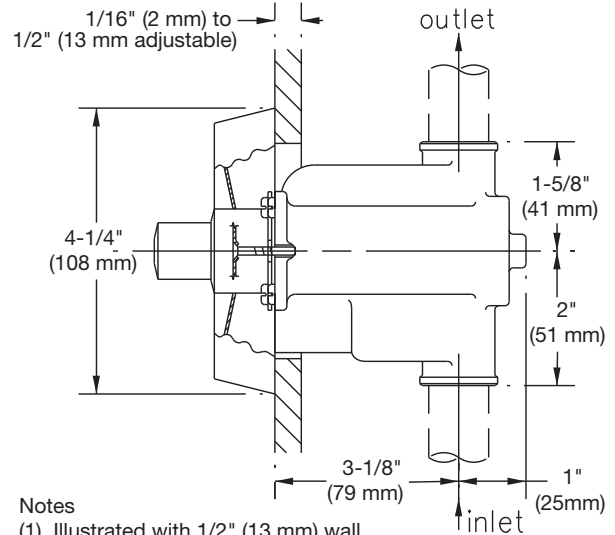
**Dimensions Showeroff Shower Valve, 4-427-R**



**Notes**

- (1) Illustrated 3" with (76 mm) wall
- (2) Dimensions subject to change without notice

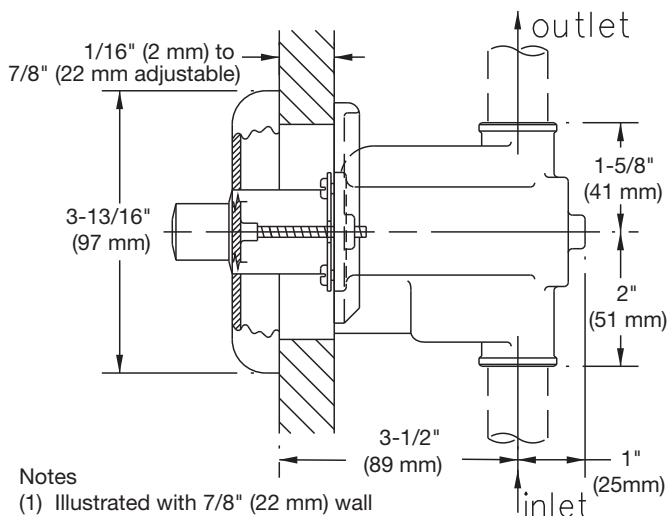
**Dimensions Showeroff Shower Valve, 4-428**



**Notes**

- (1) Illustrated with 1/2" (13 mm) wall
- (2) Dimensions subject to change without notice

**Dimensions Showeroff Shower Valve, 4-428-R**



**Notes**

- (1) Illustrated with 7/8" (22 mm) wall
- (2) Dimensions subject to change without notice