

# Waterhill® Technical Specification

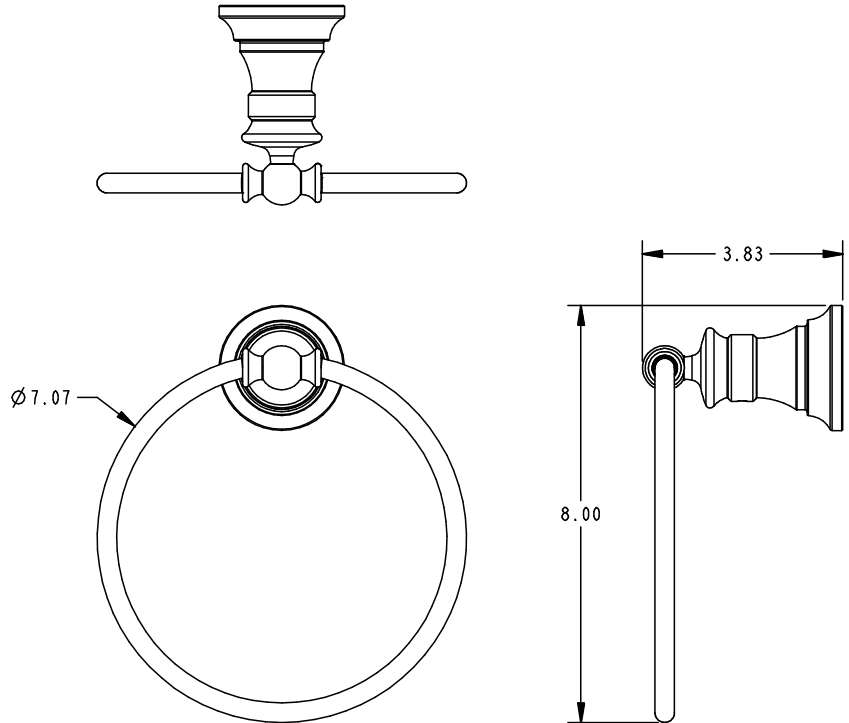
## Towel Ring

# YB9886

### Stock Numbers:

- ❑ YB9886CH – Towel Ring  
Chrome Finish
- ❑ YB9886BN – Towel Ring  
Brushed Nickel Finish
- ❑ YB9886WR – Towel Ring  
Wrought Iron Finish
- ❑ YB9886NL – Towel Ring  
Nickel Finish
- ❑ YB9886ORB – Towel Ring  
Oil Rubbed Bronze Finish

### Dimensions:



### Materials:

Towel Ring is constructed of zinc.

### Installation Instructions:

1. Remove the mounting bracket from the body by loosening the setscrew.
2. Position the assembled unit on the wall where desired.
3. Lightly mark the outline of each base.
4. Center a mounting bracket within the base outline **with "UP" facing you.**
5. One at a time, place each anchor screw through the mounting plate, centered in each large hole. Using a Phillips screwdriver, turn the anchor screw while applying pressure. Screw will self drill and tap into dry wall. Do not over tighten.
6. Place the post with the setscrew down, over mounting bracket. Tighten the setscrew at the bottom of the base.

### Cleaning Instructions:

To preserve the fine finish of this product, clean only with a soft damp cloth. Dry well. Do not use commercial or abrasive cleaners.

**Stock Number:** \_\_\_\_\_ Towel Ring  
By Creative Specialties



25300 AL MOEN DRIVE • NORTH OLMSTED, OH 44070  
CORPORATE HEADQUARTERS: (800) 321-8809 • FAX: (800) 848-6636  
INTERNATIONAL: (440) 962-2000 • FAX: (440) 962-2726  
CUSTOMER SERVICE (USA): 800-882-0116 • FAX: (888) 379-2720  
WWW.MOEN.COM

©Copyright Creative Specialties International

Literature #BA1189