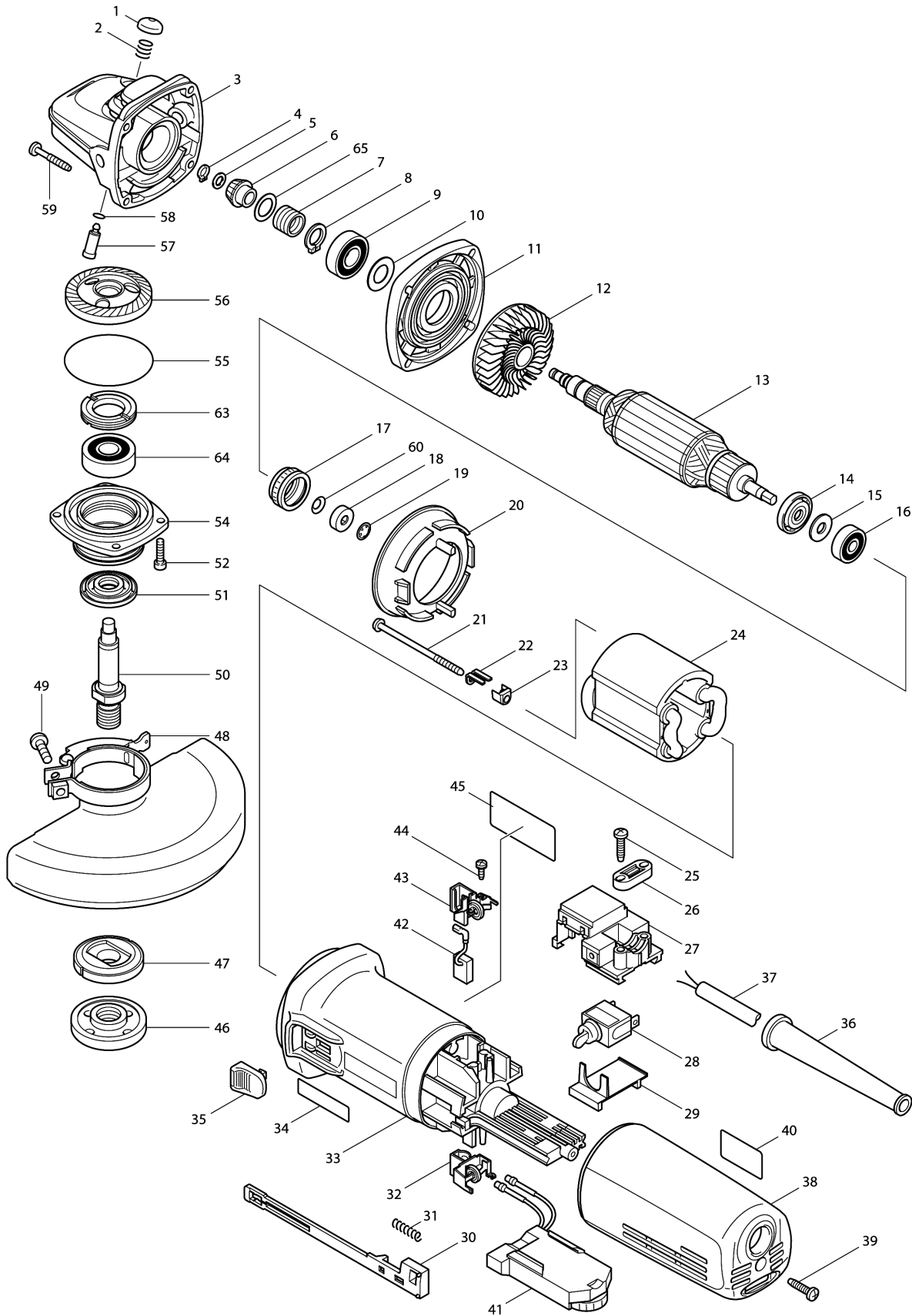


# Model No.9566CV 150MM ANGLE GRINDER



Model No.9566CV 150MM ANGLE GRINDER

Item	Parts No.	Description	I/C	Qty	New/Old	Opt. 1	Opt. 2	Note
001A	417236-8	PIN CAP		1	*			
001-1A	418067-8	PIN CAP	S	1				
001-1C	418067-8	PIN CAP		1				
002	233072-2	COMPRESSION SPRING 8		1				
003A	153381-2	GEAR HOUSING COMPLETE		1	*			
003-1A	153718-3	GEAR HOUSING COMPLETE	O	1	*			
003-2A	153488-4	GEAR HOUSING COMPLETE	S	1				
003-2C	153488-4	GEAR HOUSING COMPLETE		1				
004	961002-0	RETAINING RING S-6		1				
005	253077-6	FLAT WASHER 6		1				
006	227429-7	SPIRAL BEVEL GEAR 9		1				
007	233901-9	LOCK SPRING 12		1				
008	961052-5	RETAINING RING S-12		1				
009	211142-7	BALL BEARING 6001LLB		1				
010	253084-9	FLAT WASHER 12		1				
011	317359-1	GEAR HOUSING COVER		1				
012	240033-5	FAN 57		1				
013	515208-8	ARMATURE ASS'Y 220-240V		1				
D10		INC. 12,14-16						
014	681656-4	INSULATION WASHER		1				
015	253823-7	FLAT WASHER 7		1				
016	210027-4	BALL BEARING 627DDW		1				
017	421738-8	LABYRINTH RUBBER RING 22		1				
018	688117-5	MAGNET SLEEVE		1				
019	259039-2	SELF LOCK 6		1				
020	413076-2	BAFFLE PLATE		1				
021	266258-3	TAPPING SCREW 4X70		2				
022	344871-8	RETAINER		2				
023	417237-6	INSULATION COVER		2				
024	626503-2	FIELD 220-240V		1				
025	265995-6	TAPPING SCREW 4X18		2				
026	687052-4	STRAIN RELIEF		1	*			
026-1	687124-5	STRAIN RELIEF	O	1				
027	632945-0	SWITCH BLOCK		1	*			
027-1	632945-0	SWITCH BLOCK	O	1				
028	651418-4	SWITCH ST115A-40		1				
029	687113-0	COVER		1				
030	417186-7	SWITCH LEVER		1				
031	233071-4	COMPRESSION SPRING 4		1				
032	643760-7	BRUSH HOLDER		1				
033A	183407-6	MOTOR HOUSING		1	*			
D10		INC. 34			*			

Model No.9566CV 150MM ANGLE GRINDER

Item	Parts No.	Description	I/C	Qty	New/Old	Opt. 1	Opt. 2	Note
033-1A	183740-6	MOTOR HOUSING	O	1	*			
D10		INC. 34			*			
033-2A	418512-3	MOTOR HOUSING	<	1	*			
033-3A	451278-2	MOTOR HOUSING	<	1	*			
033-3C	451278-2	MOTOR HOUSING		1	*			
033-4	453276-2	MOTOR HOUSING	<	1				
034A	819080-3	MAKITA LABEL		1	*			
035	417813-6	SWITCH KNOB		1				
036	682559-5	CORD GUARD 8		1				
037	665394-6	POWER SUPPLY CORD 1.0-2-2.5		1				
038	417185-9	REAR COVER		1				
039	265995-6	TAPPING SCREW 4X18		1				
040	816809-8	INDICATION LABEL		1				
041	631494-4	CONTROLLER		1				
042	191978-9	A.C. CARBON BRUSH CB-318		1				
043	643760-7	BRUSH HOLDER		1				
044	266256-7	TAPPING SCREW PT3X10		4				
045A	853737-6	NAME PLATE 9566CV		1	*			
045-1A	850638-9	NAME PLATE 9566CV	X	1	*			
045-1C	850638-9	NAME PLATE 9566CV		1	*			
045-2	850638-9	NAME PLATE 9566CV	<	1				
046	224554-5	LOCK NUT 14-45		1				
047A	224298-7	INNER FLANGE 42		1	*			
047-1A	224415-9	INNER FLANGE 42	<	1				
047-1C	224415-9	INNER FLANGE 42		1				
048A	163416-1	WHEEL COVER		1	*			
048-1A	135110-5	TOOLLESS WHEEL COVER 150 ASS'Y	<	1	*			
D10		INC. 49			*			
048-2A	122896-0	TOOLLESS WHEELCOVER 150K ASS'Y	S	1	*			
C10	213009-5	O RING 4		1	*			
D10		INC. 49			*			
048-2C	122896-0	TOOLLESS WHEELCOVER 150K ASS'Y		1	*			
C10	213009-5	O RING 4		1	*			
D10		INC. 49			*			
048-3	123146-6	TOOLLESS WHEELCOVER 150AK ASSY	<	1				
C10	213009-5	O RING 4		1				
D10		INC. 49						
049A	251391-4	PAN HEAD SCREW M5X16		1	*			
049-1A	265180-1	PAN HEAD SCREW M5X16	<	1				
049-1C	265180-1	PAN HEAD SCREW M5X16		1				

Model No.9566CV 150MM ANGLE GRINDER

Item	Parts No.	Description	I/C	Qty	New/Old	Opt. 1	Opt. 2	Note
050	324035-0	SPINDLE		1				
051	415300-9	LABYRINTH RING		1				
052	265490-6	HEX. SOCKET HEAD BOLT M4X16		4				
054A	317570-5	BEARING BOX		1	*			
054-1A	318302-3	BEARING BOX	<	1	*			
054-2A	318334-0	BEARING BOX	S	1				
054-2C	318334-0	BEARING BOX		1				
055	213673-2	O RING 52		1				
056	227430-2	SPIRAL BEVEL GEAR 35		1				
057	256459-1	PIN		1				
058	213048-5	O RING 6		1				
059	266257-5	TAPPING SCREW 4X28		4				
060	267756-0	WAVE WASHER 6		1				
063	285841-7	BEARING RETAINER		1				
064	211129-9	BALL BEARING 6201DDW		1				
065	253052-2	FLAT WASHER 12		1				
066	819329-1	CLEAR LABEL		1	*			
066-1	805W65-3	CLEAR LABEL	O	1	*			
A01A	152490-4	GRIP 36 COMPLETE		1	*			
A01-1A	153489-2	GRIP 36 COMPLETE	O	1				
A01-1C	162258-0	VIBRATION PROOF GRIP		1				
A02A	782407-9	LOCK NUT WRENCH 35		1	*			
A02-1A	782423-1	LOCK NUT WRENCH 35	O	1				
A02-1C	782423-1	LOCK NUT WRENCH 35		1				

Please order the parts with part number.

Print Date 26/3/2020