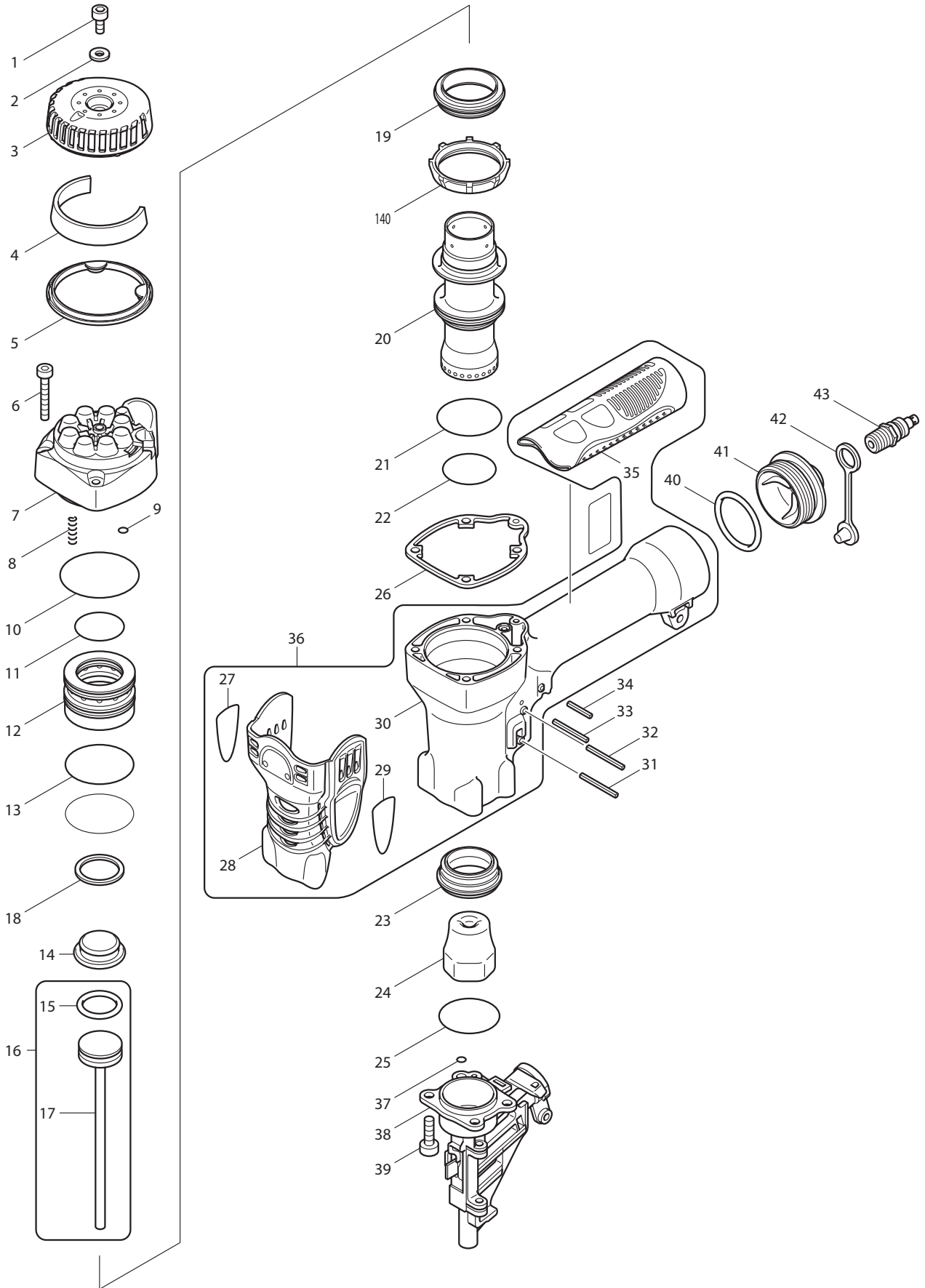


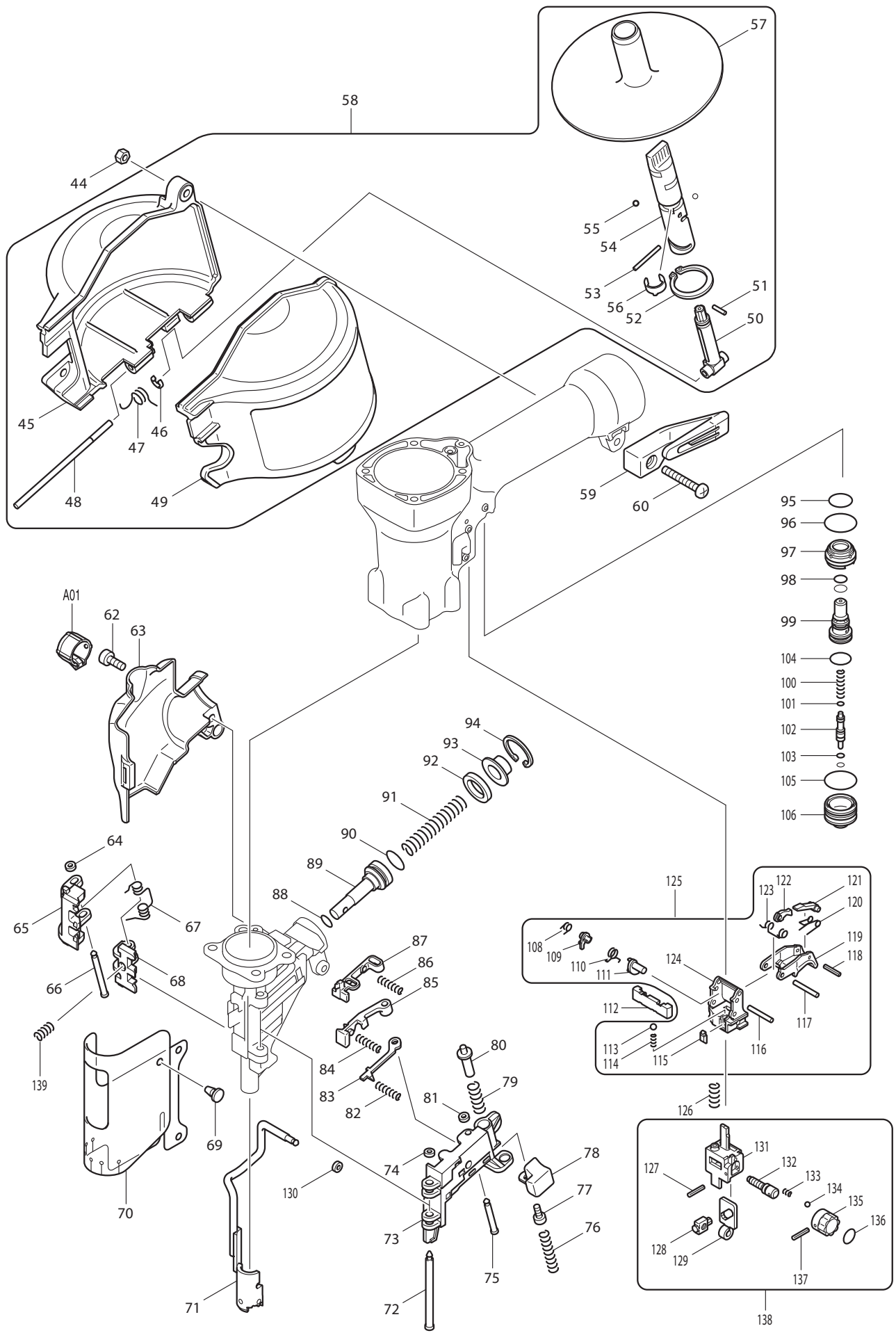


11 - 2010

AN610H

# High Pressure Sanding Coil Nailer





Item No	Type	Ref	Re: Part No	Description	Qty	Unit
2			267343-5	FLAT WASHER 5	1	PC.
3	1		419734-8	EXHAUST COVER	1	PC.
	2		453875-0	EXHAUST COVER	1	PC.
4			413103-5	FILTER	1	PC.
5			419735-6	COVER SEAL	1	PC.
6			922257-2	HEX. SOCKET HEAD BOLT M5X35	4	PC.
7			318109-7	TOP CAP	1	PC.
8			233484-9	COMPRESSION SPRING 4	8	PC.
9			213021-5	O-RING 5	1	PC.
10			213604-1	O-RING 50	1	PC.
11	1		213447-1	O-RING 30	1	PC.
	2		213423-5	O-RING 30	1	PC.
12			419736-4	HEAD VALVE	1	PC.
13			213558-2	O-RING 42	2	PC.
14			421983-5	REAR CUSHION	1	PC.
15			213967-5	O-RING 22.5	1	PC.
16			135235-5	DRIVER ASSY	1	PC.
		INC.		Item No. 15, 17	1	PC.
17			168500-7	DRIVER	1	PC.
18			267342-7	FLAT WASHER 26	1	PC.
19			421981-9	VALVE SEAT	1	PC.
20	1		331740-2	CYLINDER	1	PC.
	2		326758-6	CYLINDER	1	PC.
21			213509-5	O-RING 40	1	PC.
22			213475-6	O-RING 34	1	PC.
23			324742-5	CYLINDER GUIDE	1	PC.
24			421982-7	FRONT CUSHION	1	PC.
25			213528-1	O-RING 38	1	PC.
26			162246-7	TOP CAP GASKET	1	PC.
27			819321-7	MAKITA LOGO LABEL R	1	PC.
29			819322-5	MAKITA LOGO LABEL L	1	PC.
31			951078-5	SPRING PIN	1	PC.
32			951078-5	SPRING PIN	1	PC.
33			258029-2	SPRING PIN 3-30	1	PC.
34			951069-6	SPRING PIN 3-20	1	PC.
36			188649-7	HOUSING SET	1	PC.
		INC.	816919-1	INDICATION LABEL	1	PC.
		INC.	810473-7	CAUTION LABEL	1	PC.
		INC.		Item No. 27, 29	1	PC.
37			213970-6	O-RING 4	1	PC.
38			310250-2	DRIVER GUIDE	1	PC.
39			922332-4	HEX. SOCKET HEAD BOLT M6X20	4	PC.
40	1		213521-5	O-RING 36	1	PC.
	2		213506-1	O-RING 36	1	PC.
41			318108-9	INLET CAP	1	PC.
42			286280-4	CAP 9	1	PC.
43			243105-5	ONE-TOUCH JOINT H22PM	1	PC.
44			264008-0	HEX. ROCK NUT M5-8	1	PC.
45	1		140078-2	* MAGAZINE COMPLETE	1	PC.
		INC.	810469-8	* CAUTION LABEL	1	PC.
	2		141390-3	* MAGAZINE COMPLETE	1	PC.
		INC.	810469-8	* CAUTION LABEL	1	PC.
46			259042-3	STOP RING E-3	1	PC.
47			233504-9	TORSION SPRING 8	1	PC.
48			256773-5	PIN 4	1	PC.

Item No	Type	Ref	Re: Part No	Description	Qty	Unit
49			158937-6	MAGAZINE CAP COMPLETE	1	PC.
		INC.	807989-1	AN610H MAGAZINE LABEL	1	PC.
50	1		419747-9	ADJUST SHAFT	1	PC.
	2		456962-4	ADJUST SHAFT	1	PC.
51			268166-4	PIN 2.5	1	PC.
52			961105-0	RETAINING RING S-25	1	PC.
53			268167-2	PIN 2.5	1	PC.
54			419746-1	ADJUST SLEEVE	1	PC.
55			216001-0	STEEL BALL 3.5	2	PC.
56			232233-1	LEAF SPRING	1	PC.
57			419745-3	CHANGE PLATE	1	PC.
58	1		135234-7	* MAGAZINE ASSY	1	PC.
		INC.		* Item No. 45 - 57	1	PC.
	2		135500-2	* MAGAZINE ASSY	1	PC.
		INC.		* Item No. 45 - 57	1	PC.
59			419739-8	HOOK	1	PC.
60	1		911257-7	* PAN HEAD SCREW M5X35	1	PC.
	2		911258-5	* PAN HEAD SCREW M5X35	1	PC.
62			922212-4	HEX. SOCKET HEAD BOLT M5X12	1	PC.
63			450828-0	CONTACT ARM COVER	1	PC.
64			262054-7	URETHANE RING 3	1	PC.
65			310046-1	FEEDING CLAW F	1	PC.
66			268027-8	PIN 4	1	PC.
67			231632-4	TORSION SPRING 6	1	PC.
68			310186-5	FEEDING CLAW R	1	PC.
69			421418-6	RUBBER PIN 9.5	2	PC.
70			413127-1	COVER	1	PC.
71	1		165542-2	CONTACT ARM (SPIKED)	1	PC.
	2		165631-3	CONTACT ARM (FLAT)	1	PC.
72			268025-2	PIN 5	1	PC.
73			310182-3	DOOR	1	PC.
74			262054-7	URETHANE RING 3	1	PC.
75			268024-4	PIN 4	1	PC.
76			233204-1	COMPRESSION SPRING 5	1	PC.
77			266167-6	HEX. SOCKET HEAD BOLT M4X10	1	PC.
78			310050-0	LOCK LEVER	1	PC.
79			233201-7	COMPRESSION SPRING 6	1	PC.
80			323713-9	LOCK PIN	1	PC.
81			262054-7	URETHANE RING 3	1	PC.
82			233101-1	COMPRESSION SPRING 4	1	PC.
83			345758-7	CHECK CLAW	1	PC.
84			233101-1	COMPRESSION SPRING 4	1	PC.
85			310179-2	NAIL HOLDER	1	PC.
86			233101-1	COMPRESSION SPRING 4	1	PC.
87			310184-9	ARM	1	PC.
88			213054-0	O-RING 9	1	PC.
89			324962-1	PISTON	1	PC.
90			213154-6	O-RING 14	1	PC.
91			233198-0	COMPRESSION SPRING 9	1	PC.
92			262075-9	RUBBER RING 16	1	PC.
93			344452-8	CUP WASHER 5	1	PC.
94			962103-7	RETAINING RING R-24	1	PC.
95			213233-0	O-RING 15	1	PC.
96			213275-4	O-RING 18	1	PC.
97			419732-2	TRIGGER VALVE GUIDE	1	PC.

Item No	Type	Ref	Re: Part No	Description	Qty	Unit
98			213968-3	O-RING 7	2	PC.
99	1		419733-0	* PILOT VALVE	1	PC.
	2		456262-2	* PILOT VALVE	1	PC.
100			233485-7	COMPRESSION SPRING 4	1	PC.
101	1		213034-6	* O-RING 3	1	PC.
	2		213044-3	* O-RING 3	1	PC.
102	1		324743-3	* TRIGGER VALVE STEM	1	PC.
	2		326189-9	* TRIGGER VALVE STEM	1	PC.
103	1		213979-8	* O-RING 3	2	PC.
	2		213640-7	* O-RING 3	2	PC.
104			213185-5	O-RING 12.5	1	PC.
105			213275-4	O-RING 18	1	PC.
106			331741-0	TRIGGER VALVE CASE	1	PC.
108			233501-5	TORSION SPRING 5	1	PC.
109			310199-6	STOPPER PLATE	1	PC.
110	2		233576-4	* TORSION SPRING 6	1	PC.
111			310310-0	LEVER	1	PC.
112			310293-4	CHANGE ROD	1	PC.
113	3		326144-1	* LOCK PIN	1	PC.
114			233490-4	COMPRESSION SPRING 2	1	PC.
115			419743-7	SPRING COVER	1	PC.
116			268168-0	PIN 3	1	PC.
117			268168-0	PIN 3	1	PC.
118			951007-8	SPRING PIN 2-12	1	PC.
119			310294-2	TRIGGER	1	PC.
120			231699-2	TORSION SPRING 4	1	PC.
121			310196-2	TRIP LEVER	1	PC.
122			310198-8	LEVER	1	PC.
123			233503-1	TORSION SPRING 4	1	PC.
124			419844-1	TRIGGER BASE	1	PC.
125	2		135359-7	* TRIGGER ASSY	1	PC.
		INC.		Item No. 108 -111, 113 -124	1	PC.
	3		135494-1	* TRIGGER ASSY	1	PC.
		INC.		Item No. 108 -111, 113 -124	1	PC.
126			233489-9	COMPRESSION SPRING 6	1	PC.
127			951010-9	SPRING PIN 2-14	1	PC.
128			310201-5	ADJUSTER PIECE	1	PC.
129			345775-7	SLIDE PLATE	1	PC.
130			262120-0	URETHANE RING 3	1	PC.
131			310234-0	UPPER YORK	1	PC.
132			324745-9	ADJUSTER SHAFT	1	PC.
133			233491-2	COMPRESSION SPRING 2	1	PC.
134			216031-1	STEEL BALL 2.3	1	PC.
135			158747-1	ADJUSTER COMPLETE	1	PC.
137			951010-9	SPRING PIN 2-14	1	PC.
138			135232-1	ADJUSTER ASS'Y	1	PC.
		INC.		Item No. 127 - 129, 131 - 135, 137	1	PC.
139			233081-1	COMPRESSION SPRING 3	1	PC.
140			331739-7	CYLINDER STAY	1	PC.
143			866116-9	AN610H NAME PLATE	1	PC.
144	1		135598-9	* TRIGGER VALVE ASS'Y (Added)	1	PC.
		INC.		Item No.98-109		
	2		135681-2	* TRIGGER VALVE ASS'Y	1	PC.
		INC.		Item No.98-109		

Item No	Type	Ref	Re: Part No	Description	Qty	Unit
<b><u>ACCESSORIES</u></b>			<b>- See catalogue or visit <a href="http://www.makita.ca">www.makita.ca</a> for more optional accessories-</b>			
A01			421574-2	NOSE ADAPTOR	1	PC.
A02	1		192517-8	SAFETY GOGGLE	1	PC.
	2		195246-2	SAFETY GOGGLE	1	PC.
A03			194381-3	OIL SUPPLY SET (18G)	1	PC.
A04			824490-1	PLASTIC CARRYING CASE	1	PC.
		INC.	186347-7	SLIDE LATCH SET	1	SET
A05			194735-4	AIR LEAK REPAIR SET	1	PC.
		INC.		Item No.11, 13, 95, 96, 98, 101, 103 - 105	1	PC.

## **SERVICE CHANGES**

### **1. Changes on Trigger Assy**

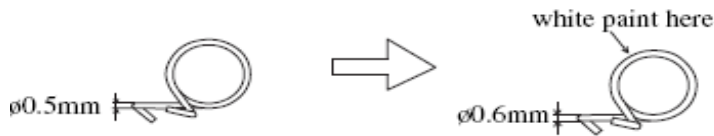
Item No.	Description	Type 1	Type 2	Type 3
110	Torsion Spring 6	233502-3 - N/L/A		233576-4
113	Stell ball / Lock pin		216024-8	326144-1
125	Trigger Assy	135231-3	135359-7	135494-1

Above parts are completely interchangeable as a set.

#### **NOTE:**

Wire diameter of Torsion Spring 6 has been changed as illustrated below.

The spring load of New Torsion spring 6 increases, and it enables the operability improvement of the subject models.



### **2. Changes on Trigger Valve Stem and O Rings**

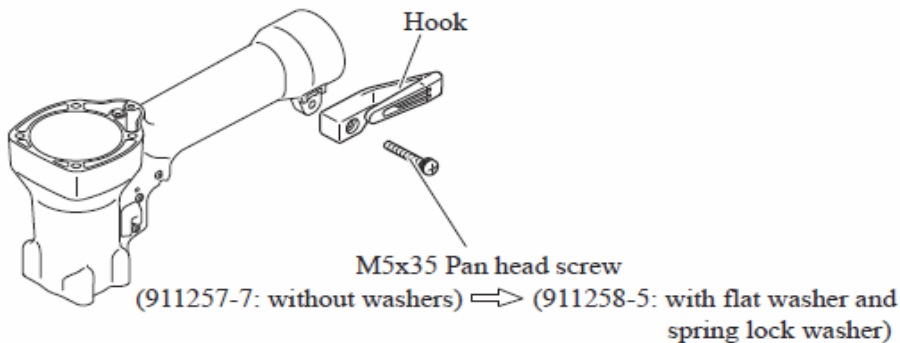
(T/I# 94149)

Item No.	Description	Type 1	Type 2
101	O RING 3	213034-6	213044-3
102	TRIGGER VALVE STEM	324743-3	326189-9
103	O RING 3	213979-8	213640-7

Above parts are completely interchangeable as a set.

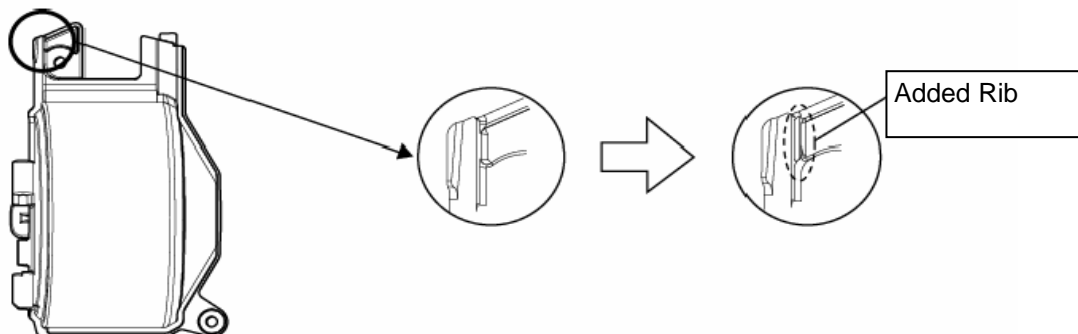
### **3. Changes on M5x35 Pan Head Screw**

Item No.	Description	Type 1	Type 2
60	PAN HEAD SCREW M5 X 35	911257-7	911258-5



#### 4. Changes on Magazine

Item No.	Description	Type 1	Type 2
45	MAGAZINE COMPLETE	140078-2	141390-3
58	MAGAZINE ASSY	135234-7	135500-2



#### 5. Changes on Pilot Valve

(T/I# A8903)

Item No.	Description	Type 1	Type 2
99	PILOT VALVE	419733-0	456262-2

