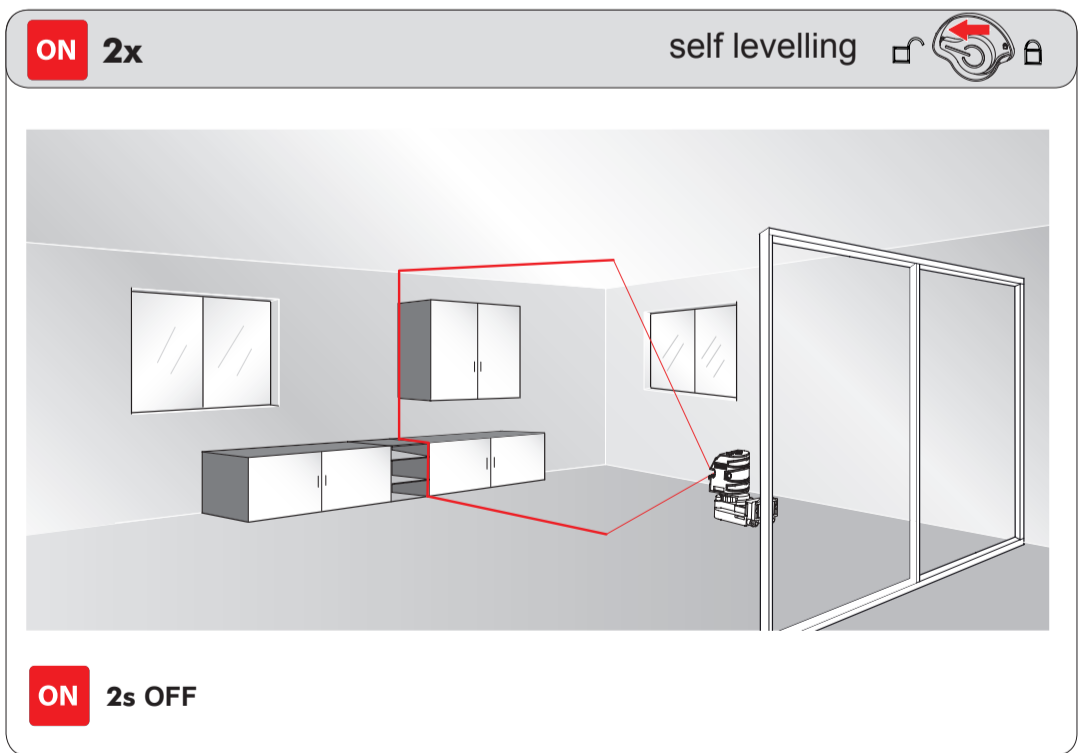
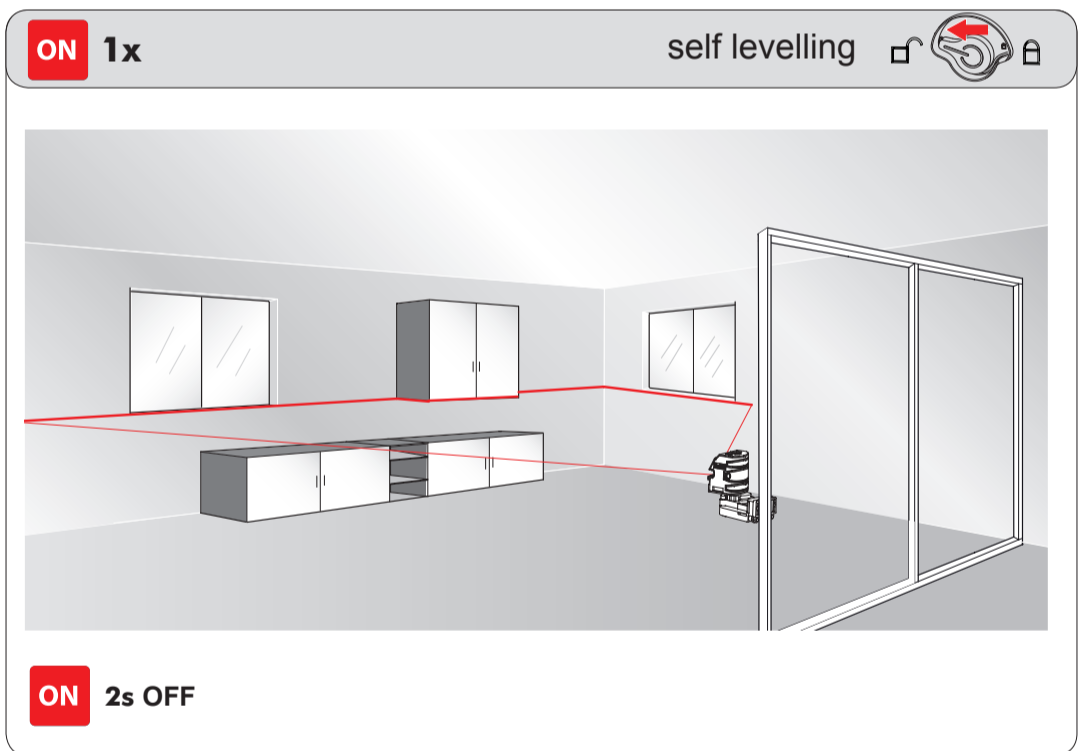
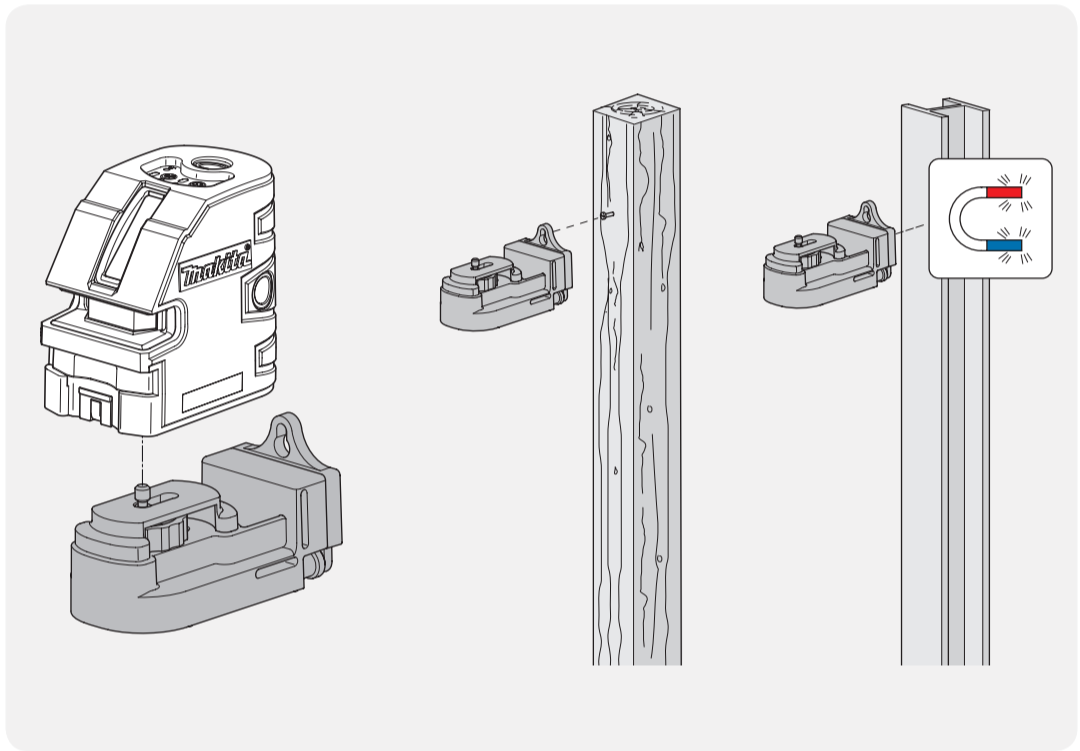
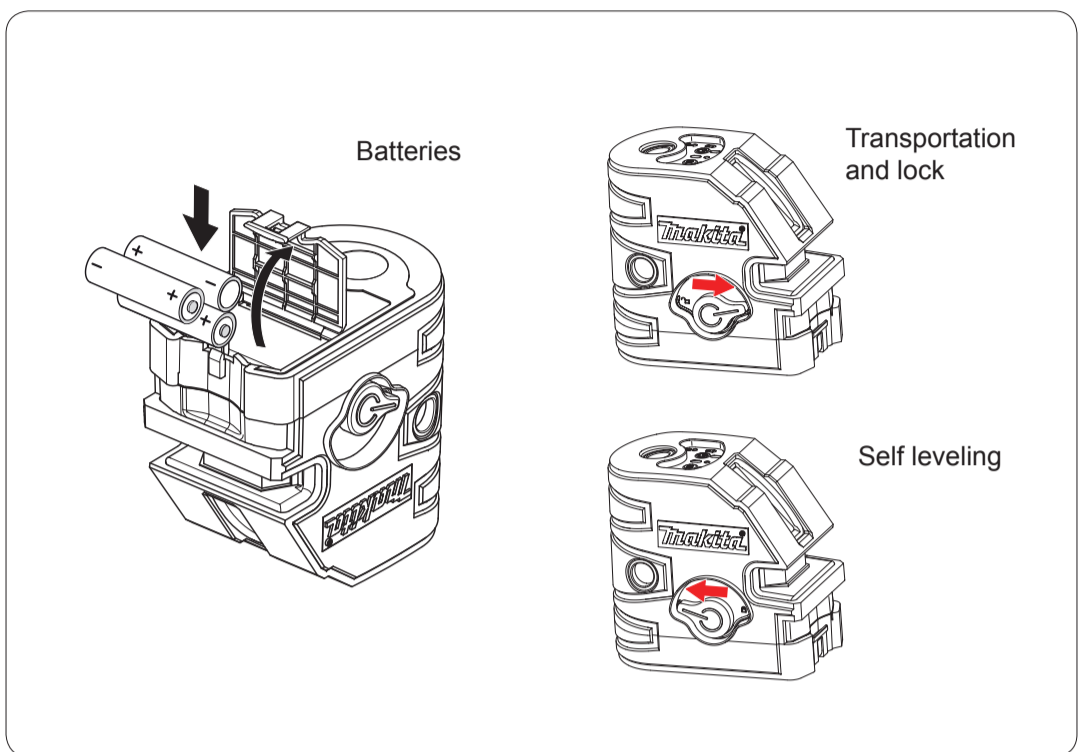
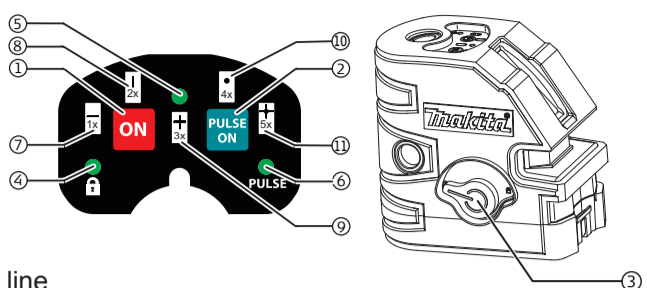


QUICKSTART

SK103P

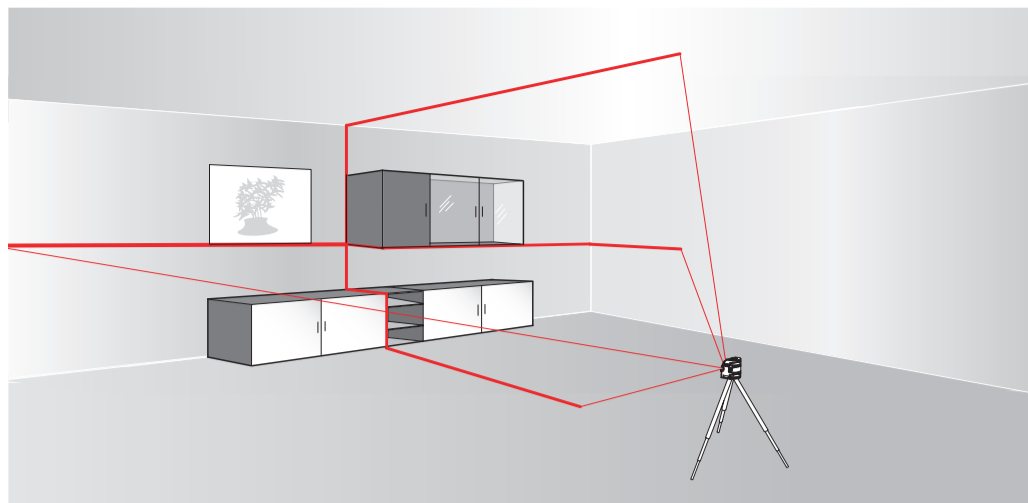
- 1 On/Set key
- 2 Pulse key
- 3 Lock switch
- 4 Locked
- 5 Laser active
- 6 Pulse/Power save mode on
- 7 Laser line horizontal
- 8 Laser line vertical
- 9 Laser horizontal and vertical line
- 10 Laser all points
- 11 Laser all lines and points



	LASER 2	
IEC 60825-1:2014	$\lambda=635\text{nm}$	$P_{\text{av}}=0.95\text{mW}$ $t_p=50\mu\text{s, cw}$

ON 3x

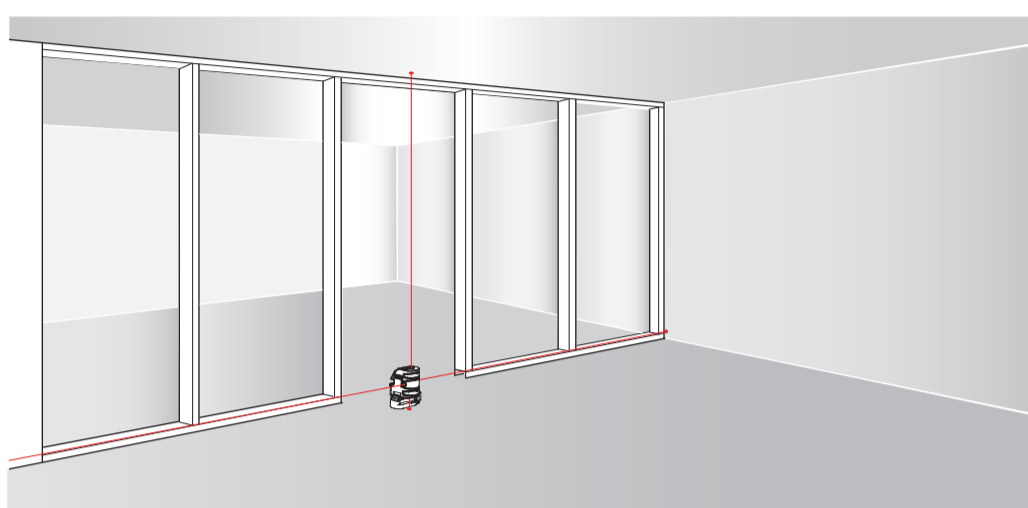
self levelling



ON 2s OFF

ON 4x

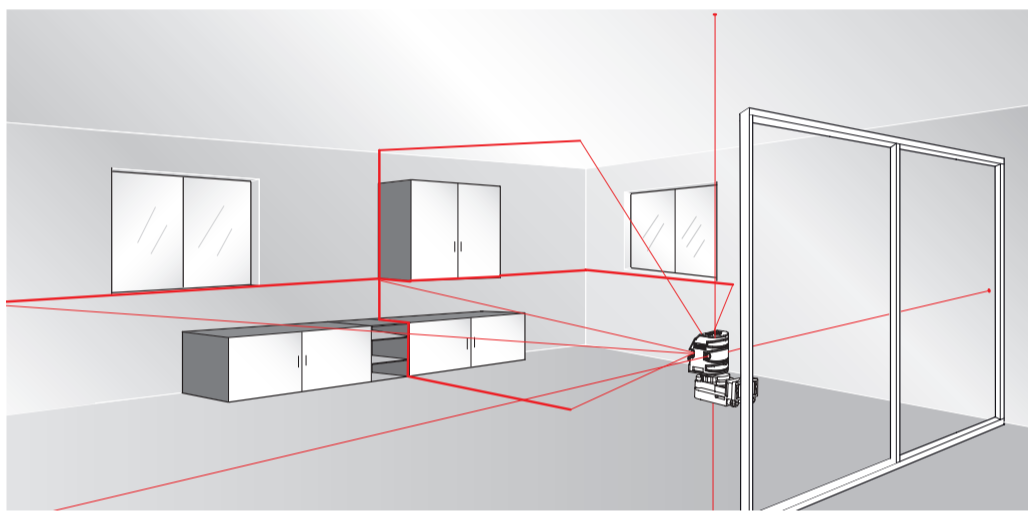
self levelling



ON 2s OFF

ON 5x

self levelling



ON 2s OFF

PULSE ON 1x

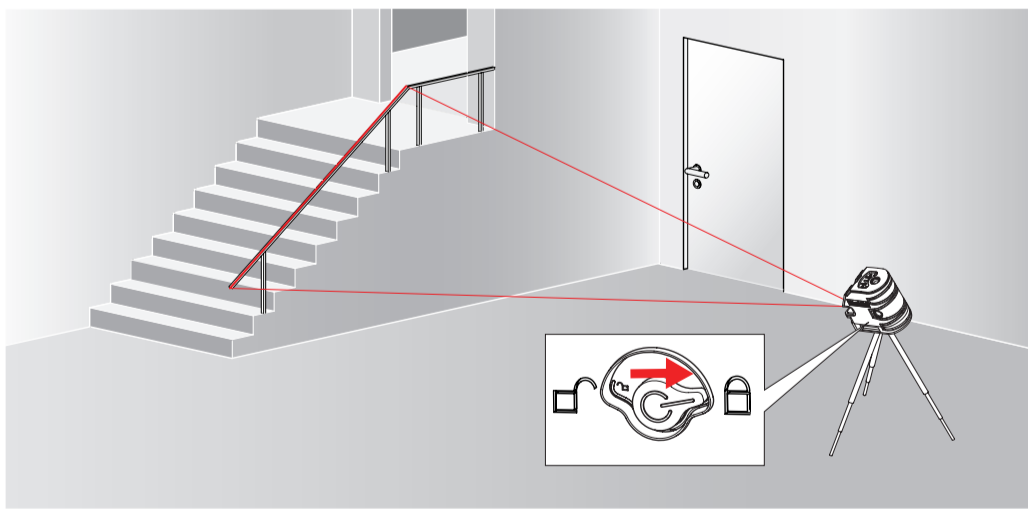
self levelling



ON 1x

ON 2x

lock



ON 2s OFF