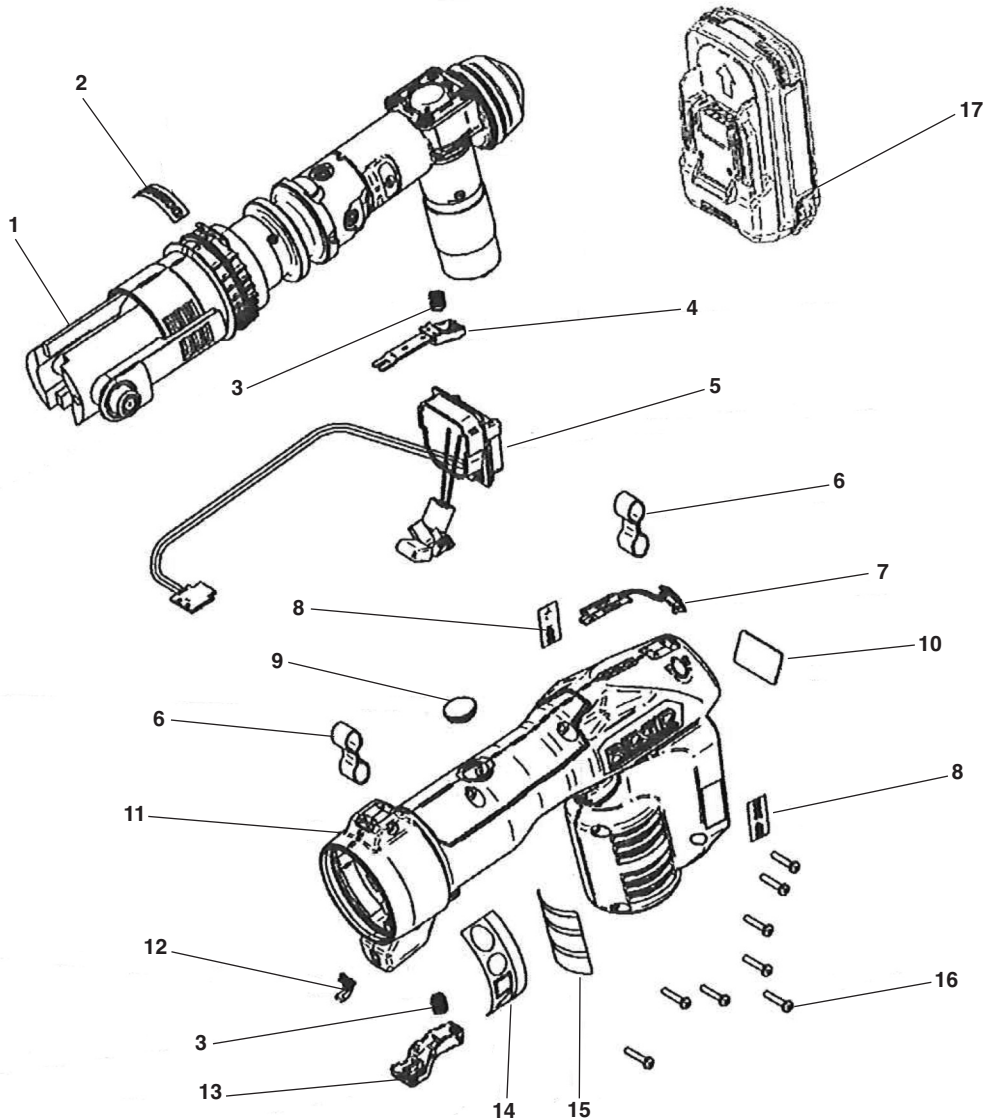


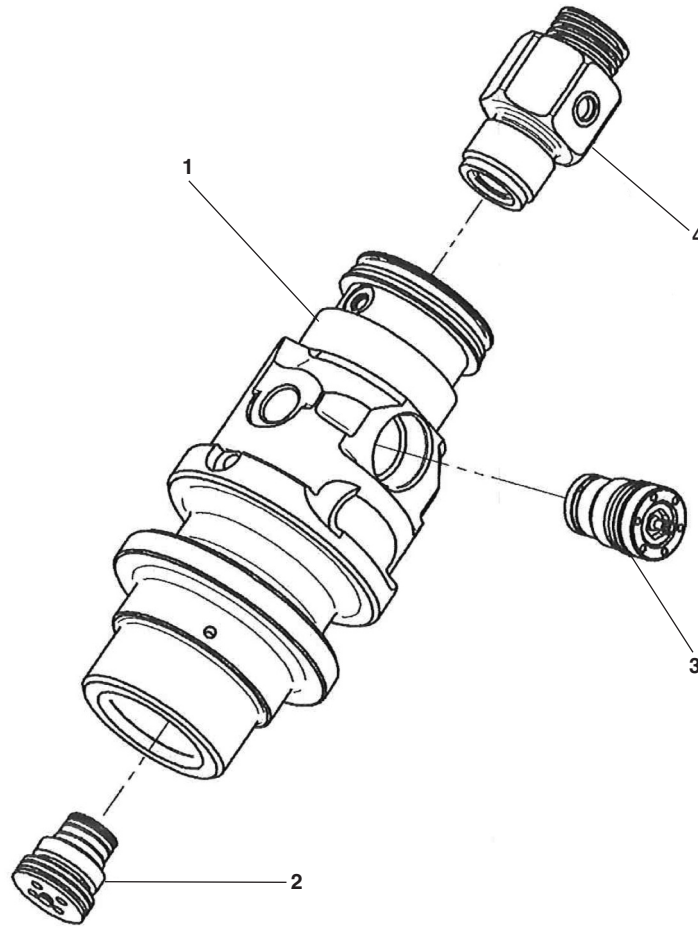
**Tools Built After Serial Number Z1408214**



**NOTE: Order parts by Catalog Number only.  
DO NOT order by Reference Number.**

Ref. No.	Catalog No.	Description
1	49563	RP 200-B - 2VT Sub Assembly
2	43833	Decal "COMPACT"
3	43808	Spring
4	49568	Release Lever
5	43793	Circuit Board "Power + LED"
6	43823	Loop
7	43813	Cover
8	43828	Decal "RP 200"
9	43783	Pressure Relief Cap Black
10	43818	Name Plate
11	43778	Plastic Housing Set Red
12	43788	Light Conductor
13	43798	Trigger
14	43838	Decal "Error Code"
15	43843	Decal "Warning"
16	13503	Pan Head Cap Screw
17	44693	Battery 18V / 2.0Ah

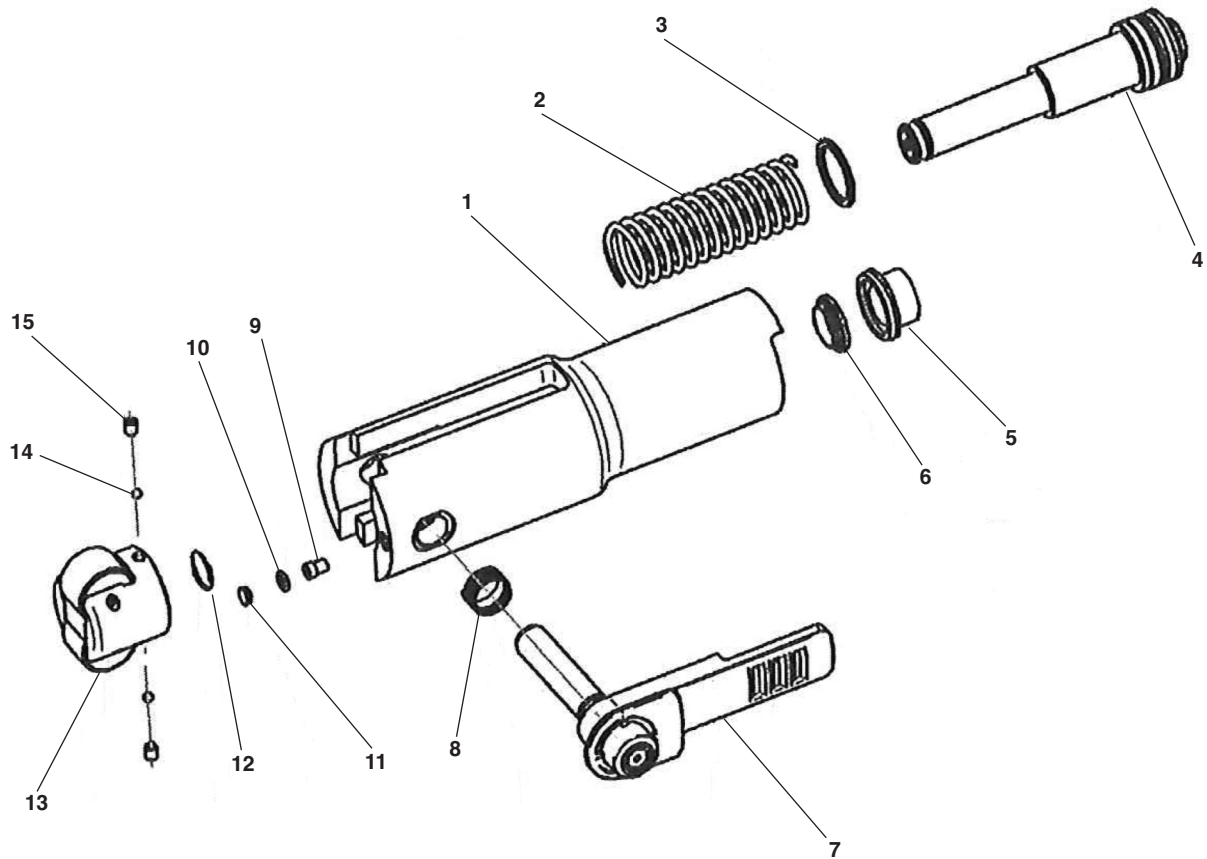
Cylinder Sub Assembly



**NOTE: Order parts by Catalog Number only.  
DO NOT order by Reference Number.**

Ref. No.	Catalog No.	Description
1	49573	Cylinder - 2VT Including Expander
2	47428	Relief Valve
3	49578	Pressure Relief Valve
4	43763	Piston Pump Assembly

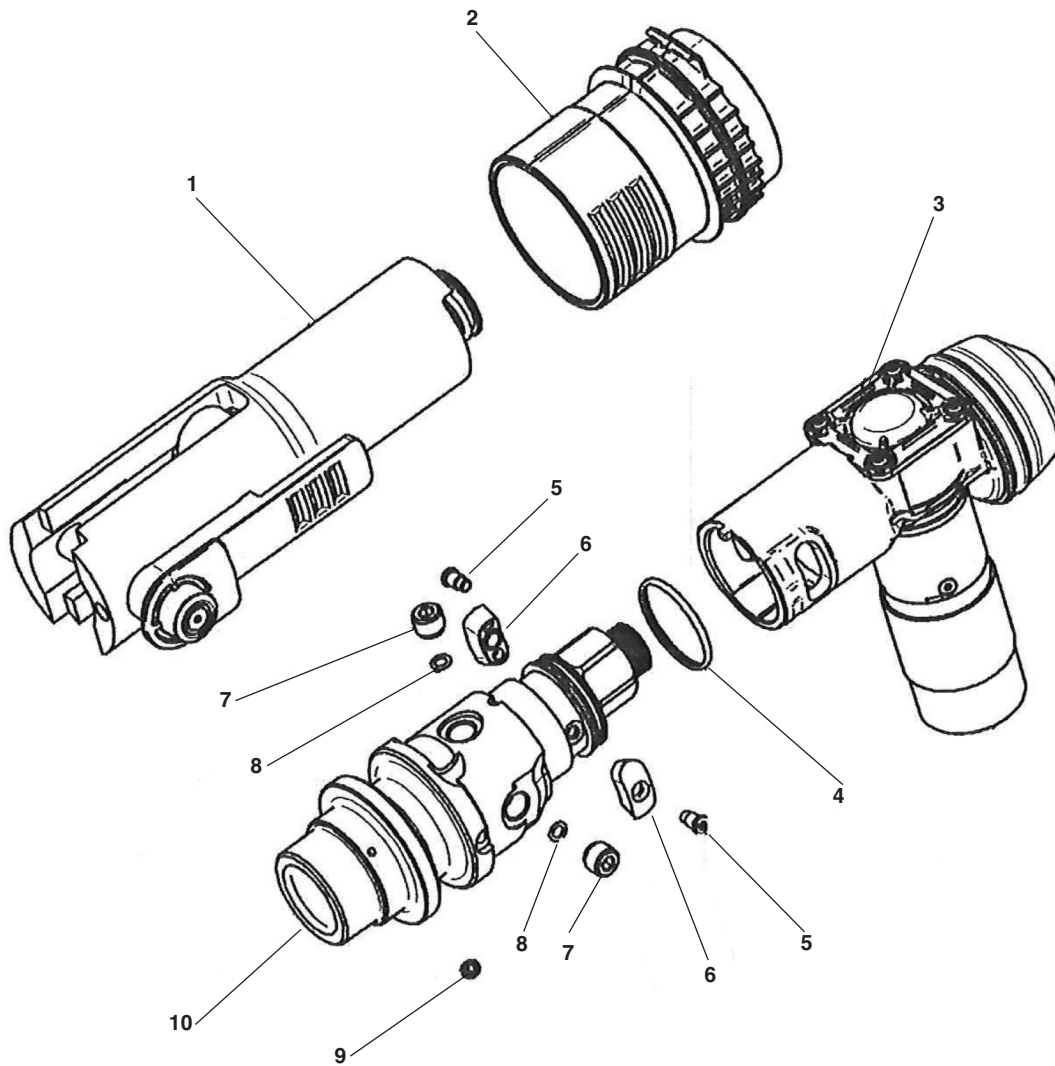
**Cylinder Head Sub Assembly**



**NOTE: Order parts by Catalog Number only.  
DO NOT order by Reference Number.**

Ref. No.	Catalog No.	Description
1	43733	Cylinder Head
2	43743	Spring
3	33838	Washer
4	49583	Piston - 2VT Sub Assembly
5	43838	Scraper Ring
6	33803	Scraper
7	43748	Jaw Mounting Pin
8	45723	Spring
9	37308	Locking Pin
10	37313	O-Ring
11	37328	Plug
12	45713	O-Ring
13	33808	Roll Retainer Complete
14	45733	Steel Ball
15	45738	Allen Set Screw

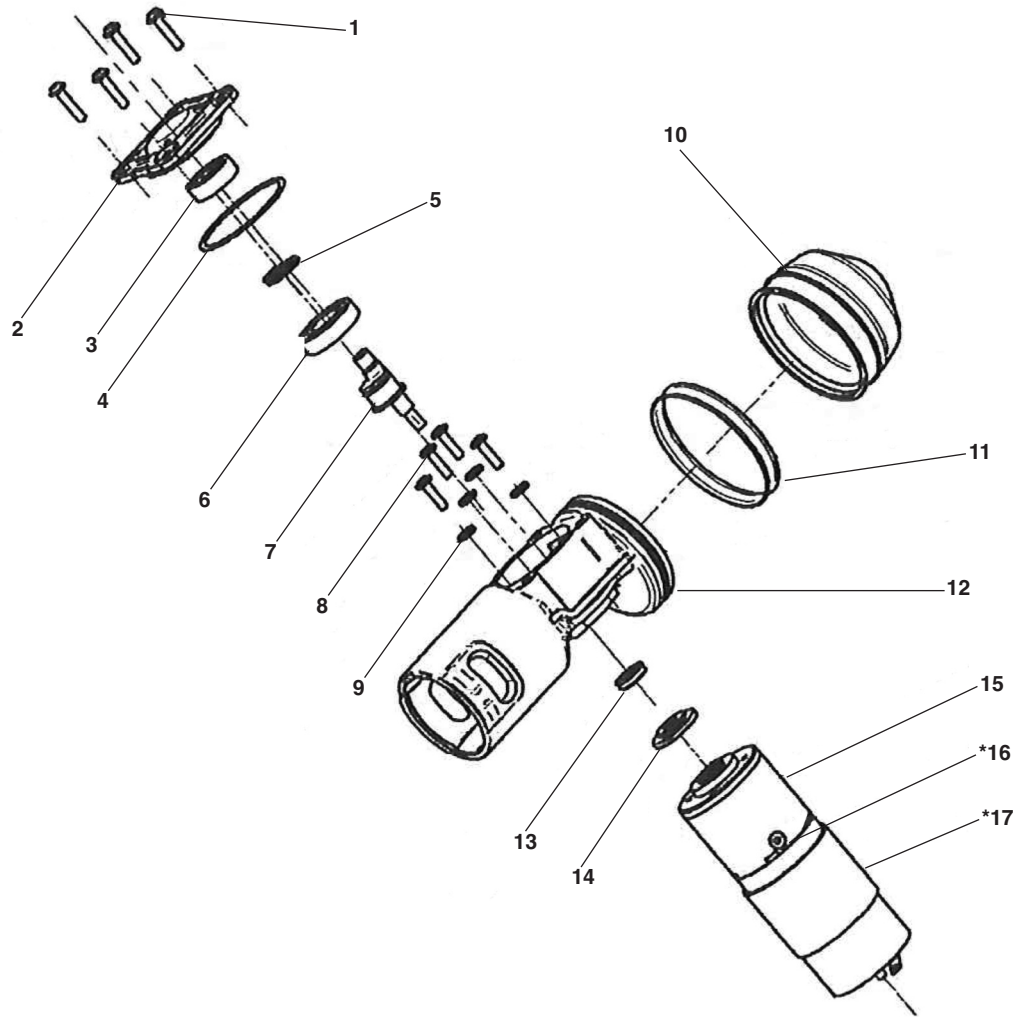
## 2VT Sub Assembly



**NOTE: Order parts by Catalog Number only.  
DO NOT order by Reference Number.**

Ref. No.	Catalog No.	Description
1	49593	Cylinder Head - 2VT Sub Assembly
2	43688	Sleeve
3	43673	Pump Housing Sub Assembly
4	49598	O-Ring
5	43683	Shoulder Screw
6	43678	Plastic Wedge
7	35268	Sealing Plug
8	33693	O-Ring
9	19363	Socket Head Cap Screw
10	49588	Cylinder - 2VT Sub Assembly

**Pump Housing Body Sub Assembly**



**NOTE: Order parts by Catalog Number only.  
DO NOT order by Reference Number.**

<b>Ref. No.</b>	<b>Catalog No.</b>	<b>Description</b>
1	33683	Pan Head Cap Screw
2	43713	Bearing Holder
3	33738	Bearing
4	43718	O-Ring
5	33743	External Retaining Ring
6	33733	Bearing
7	33728	Eccentric Shaft
8	33723	Pan Head Flange Screw
9	33718	Screw Seal
10	43723	Bladder Oil Reservoir
11	43728	Clamp
12	43693	Pump Housing
13	43698	Seal
14	33708	Arrester Disc
15	33713	Motor and Gear Complete
*16	33818	Countersunk Screw
*17	33768	Motor 18V

\* = Included In Ref. 15